

LP/LPO 1512C BS-II
(PARTS LIST)

Catalogue No. 8854 412073 1 • Edition No. SPT - 123 • June 2006

PRELIMINARY REMARKS

This list comprises of parts for Engine, Gear Box, Chassis Parts, Front Axle, Rear Axle, etc. and Cowl Shell with and without Face of LP 1512C and LPO 1512C Vehicles

CHASSIS TYPE	VC NO	VARIANT DESCRIPTION	VARIANT DETAILS	ENGINE TYPE
412 052	27700542000R	LP 1512 C	Full Forward Control Chassis,330 Dia Clutch,S-Cam Brake, Power Steering, 160 Lit Fuel Tank,24V with 1210 Cowl Face, wheel Base 4225mm	6BTAA Tata Cummins BS-II
412073	27700852000R 27702552000R	LP 1512C	Full Forward Control Chassis,60% Rear Over Hang,330 Dia Clutch, S-Cam Brake, Power Steering, 250 Lit Fuel Tank,24V with 1210 Cowl Face, wheel Base 5195mm	6BTAA Tata Cummins BS-II
412074	27701952000R	LP 1512C	Full Forward Control Chassis,60% Rear Over Hang,330 Dia Clutch, S-Cam Brake, Power Steering, 250 Lit Fuel Tank,24V with 1210 Cowl Face, wheel Base 5195mm	6BTAA Tata Cummins BS-II
412080	27700359000R	LP 1512C	Full Forward Control Chassis,55% Rear Over Hang,330 Dia Clutch, S-Cam Brake, Power Steering, 250 Lit Fuel Tank,24V with 1210 Cowl Face, wheel Base 5895 mm	6BTAA Tata Cummins BS-II
412081	27700759000R	LP 1512C	Full Forward Control Chassis,55% Rear Over Hang,330 Dia Clutch, S-Cam Brake, Power Steering, 250 Lit Fuel Tank,24V without Face , wheel Base 5895 mm	6BTAA Tata Cummins BS-II
412076	20730853000R	LPO 1512C	Full Forward Control Chassis,60% Rear Over Hang,330 Dia Clutch, S-Cam Brake, Power Steering, 250 Lit Fuel Tank,24V without Face , wheel Base 5334 mm	6BTAA Tata Cummins BS-II
412271	20731855000R	LPO 1512C	Full Forward Control Chassis,60% Rear Over Hang,330 Dia Clutch, S-Cam Brake, Power Steering, 250 Lit Fuel Tank,24V with 1210 Cowl Face, wheel Base 5545 mm	6BTAA Tata Cummins BS-II
412091	20732855000R	LPO 1512C	Full Forward Control Chassis,60% Rear Over Hang,330 Dia Clutch, S-Cam Brake, Power Steering, 250 Lit Fuel Tank,24V with 1210 Cowl Face, wheel Base 5545 mm, Car Carrier	6BTAA Tata Cummins BS-II

INSTRUCTIONS

Refer Variant Table Matrix for correct applicability

The designation "Left and Right" as well as "Front" and "Rear" refer to the driving direction

The indication "First", "Second" (e.g. Cross member of frame) are counter from the radiator side

The word "Optional" in the remarks column against an item having two or more part numbers indicates that depending on availability, the item will be supplied under any one of these part numbers

The designation "AR" in column "Quantity" stands for "As Required"

The illustrations of parts of the table are only for easy reference and they may not be exact replica of the part.

The parts fitted on the vehicle are subject to modification without prior notice.

This is a publication of the Parts Head Quarters of the TATA MOTORS LIMITED.

Any Correspondence relating to this Parts List be made to:

**Technical Cell
Tata Motors Ltd.,
Parts Head Quarters,
Teen Hath Naka,
Gyan Sadhana College Service Road,
Thane-400 604.**

INTRODUCTION

WHEN ORDERING PARTS, PLEASE INDICATE

Chassis Type and Chassis Number

Engine Type and Engine Number

Part No. - See Column "PART NUMBER"

Precise Description - See Column "DESCRIPTION"

WHEN ORDERING PARTS FOR AGGREGATES, PLEASE INDICATE THE AGGREGATE NUMBER

Gear Box Unit No. -

Rear Axle Unit No. -

Steering Unit No. -

VARIANT – TABLE MATRIX

VARIANT - TABLE MATRIX FOR LP/LPO 1512 C BS II									
	CHASSIS TYPE	412052	412074	412073	412081	412080	412076	412271	412091
	VC NO	27700542000R	27701952000R	27700852000R 27702552000R	27700759000R	27700359000R	20730853000R	20731855000R	20732855000R
TABLE NUMBER	TABLE DESCRIPTION								
00	ENGINE								
00.01.01A	ENGINE	Y	Y	Y	Y	Y			
00.01.01B	ENGINE						Y	Y	Y
00.01.02	ENGINE OVERHAUL KIT	Y	Y	Y	Y	Y	Y	Y	Y
00.01.03	ENGINE GASKET KIT	Y	Y	Y	Y	Y	Y	Y	Y
00.01.04	CYLINDER BLOCK	Y	Y	Y	Y	Y	Y	Y	Y
00.01.05	OIL PAN	Y	Y	Y	Y	Y	Y	Y	Y
00.01.06	FRONT GEAR COVER	Y	Y	Y	Y	Y	Y	Y	Y
00.01.07	CYLINDER HEAD	Y	Y	Y	Y	Y	Y	Y	Y
00.01.08	VALVE COVER	Y	Y	Y	Y	Y	Y	Y	Y
00.01.09	INTAKE MANIFOLD	Y	Y	Y	Y	Y	Y	Y	Y
00.01.10	CAM FOLLOWER COVER	Y	Y	Y	Y	Y	Y	Y	Y
00.01.11	CONNECTION AIR INTAKE	Y	Y	Y	Y	Y	Y	Y	Y
00.01.12	OIL FILL LOCATION	Y	Y	Y	Y	Y	Y	Y	Y
00.01.13	DIPSTICK	Y	Y	Y	Y	Y	Y	Y	Y
00.01.14A	FITMENTS ON ENGINE	Y	Y	Y	Y	Y			
00.01.14B	FITMENTS ON ENGINE						Y	Y	Y
00.03.01	CRANKSHAFT AND MAIN BEARING	Y	Y	Y	Y	Y	Y	Y	Y
00.03.02	CONNECTING ROD AND PISTON	Y	Y	Y	Y	Y	Y	Y	Y
00.03.03	VIBRATION DAMPER	Y	Y	Y	Y	Y	Y	Y	Y
00.03.04	FLYWHEEL AND FLYWHEEL HOUSING	Y	Y	Y	Y	Y	Y	Y	Y
00.03.05	SPACER BEARING (CLUTCH REAR)	Y	Y	Y	Y	Y	Y	Y	Y
00.05.01	CAMSHAFT AND TAPPETS	Y	Y	Y	Y	Y	Y	Y	Y
00.05.02	ROCKER LEVER	Y	Y	Y	Y	Y	Y	Y	Y
00.07.01	FUEL PUMP COUPLING	Y	Y	Y	Y	Y	Y	Y	Y
00.07.02	FUEL INJECTION PUMP	Y	Y	Y	Y	Y	Y	Y	Y
00.07.03	PUMP, FUEL TRANSFER	Y	Y	Y	Y	Y	Y	Y	Y
00.07.04	FUEL LINES	Y	Y	Y	Y	Y	Y	Y	Y
00.07.05	PLUMBING FUEL FILTER	Y	Y	Y	Y	Y	Y	Y	Y
00.07.06	ACCESSORIES FUEL	Y	Y	Y	Y	Y	Y	Y	Y
00.07.07	PLUMBING AIR FUEL	Y	Y	Y	Y	Y	Y	Y	Y
00.07.08	INJECTOR	Y	Y	Y	Y	Y	Y	Y	Y
00.09.01	FUEL FILTER	Y	Y	Y	Y	Y	Y	Y	Y
00.09.02	ENGINE VENT PLUMBING	Y	Y	Y	Y	Y	Y	Y	Y
00.09.03	AIR FILTER(LP)	Y	Y	Y	Y	Y			
00.09.04	AIR FILTER(LPO)						Y	Y	Y
00.13.01	AIR COMPRESSOR	Y	Y	Y	Y	Y	Y	Y	Y
00.13.02	REPAIR KIT FOR AIR COMPRESSOR	Y	Y	Y	Y	Y	Y	Y	Y
00.13.03	COVER AIR COMPRESSOR	Y	Y	Y	Y	Y	Y	Y	Y
00.14.01	EXHAUST MANIFOLD AND MOUNTING	Y	Y	Y	Y	Y	Y	Y	Y
00.14.02	TURBOCHARGER	Y	Y	Y	Y	Y	Y	Y	Y
00.14.03	TURBOCHARGER PLUMBING	Y	Y	Y	Y	Y	Y	Y	Y
00.14.04	CONNECTION AIR INTAKE	Y	Y	Y	Y	Y	Y	Y	Y
00.14.05A	INTERCOOLER AND INTERCOOLER CONNECTION	Y	Y	Y	Y	Y			

VARIANT - TABLE MATRIX FOR LP/LPO 1512 C BS II									
	CHASSIS TYPE	412052	412074	412073	412081	412080	412076	412271	412091
	VC NO	27700542000R	27701952000R	27700852000R 27702552000R	27700759000R	27700359000R	20730853000R	20731855000R	20732855000R
TABLE NUMBER	TABLE DESCRIPTION								
32.32.07A	REAR SHOCK ABSORBER	Y	Y	Y					
32.32.07B	REAR SHOCK ABSORBER				Y	Y			
32.32.07C	REAR SHOCK ABSORBER						Y		
32.32.07D	REAR SHOCK ABSORBER							Y	Y
32.32.08	FRONT ANTIROLL BAR						Y	Y	Y
33	FRONT AXLE								
33.33.01	FRONT AXLE	Y	Y	Y	Y	Y	Y	Y	Y
35	REAR AXLE								
35.35.01A	REAR AXLE	Y	Y	Y	Y	Y			
35.35.01B	REAR AXLE						Y	Y	Y
40	WHEELS								
40.40.01A	WHEEL DISC	Y	Y	Y	Y	Y			
40.40.01B	WHEEL DISC						Y	Y	Y
41	PROPELLER SHAFT								
41.41.01A	PROPELLER SHAFT	Y							
41.41.01B	PROPELLER SHAFT		Y	Y					
41.41.01C	PROPELLER SHAFT				Y	Y			
41.41.01D	PROPELLER SHAFT						Y		
41.41.01E	PROPELLER SHAFT							Y	Y
42	BRAKES								
42.42.01	FRONT WHEEL BRAKE S-CAM (BIL)	Y	Y	Y	Y	Y	Y	Y	Y
42.42.02	FRONT WHEEL BRAKE (M/S. KTMS)	Y	Y	Y	Y	Y	Y	Y	Y
42.42.03	REAR WHEEL BRAKE (BIL) (LP)	Y	Y	Y	Y	Y			
42.42.04	REAR WHEEL BRAKE (BIL) (LPO)						Y	Y	Y
42.42.05	REAR WHEEL BRAKE (M/S. KTMS) (LP)	Y	Y	Y	Y	Y			
42.42.06	REAR WHEEL BRAKE (M/S. KTMS) (LPO)						Y	Y	Y
42.42.07A	BRAKE AGGREGATES	Y	Y	Y	Y	Y			
42.42.07B	BRAKE AGGREGATES						Y		
42.42.07C	BRAKE AGGREGATES							Y	Y
42.42.08A	BRAKE PIPE LINES	Y							
42.42.08B	BRAKE PIPE LINES		Y	Y					
42.42.08C	BRAKE PIPE LINES				Y	Y			
42.42.08D	BRAKE PIPE LINES						Y		
42.42.08E	BRAKE PIPE LINES							Y	Y
42.42.09	FRONT BRAKE CHAMBER	Y	Y	Y	Y	Y	Y	Y	Y
42.42.10	REAR BRAKE ACTUATOR	Y	Y	Y	Y	Y	Y	Y	Y
42.42.11	SLACK ADJUSTER	Y	Y	Y	Y	Y	Y	Y	Y
42.42.12	DRYING AND DISTRIBUTION UNIT	Y	Y	Y	Y	Y	Y	Y	Y
42.42.13	AIR DRYER WITH TYRE INFLATOR								Y
42.42.14	SYSTEM PROTECTION VALVE								Y
42.42.15	DUAL BRAKE VALVE (LPO)						Y	Y	Y
42.42.16	DUAL BRAKE VALVE (LP)	Y	Y	Y	Y	Y			
42.42.17A	HAND BRAKE VALVE	Y	Y	Y	Y	Y			
42.42.17B	HAND BRAKE VALVE						Y	Y	Y

VARIANT - TABLE MATRIX FOR LP/LPO 1512 C BS II									
	CHASSIS TYPE	412052	412074	412073	412081	412080	412076	412271	412091
	VC NO	27700542000R	27701952000R	27700852000R 27702552000R	27700759000R	27700359000R	20730853000R	20731855000R	20732855000R
TABLE NUMBER	TABLE DESCRIPTION								
44	HYDRAULICS								
44.44.01	AXIAL PISTON PUMP(MK II) FOR CAR CARRIER								Y
44.44.02	SHIFTING CYLINDER FOR CAR CARRIER								Y
46	STEERING								
46.46.01A	STEERING LINKAGES	Y	Y	Y	Y	Y			
46.46.01B	STEERING LINKAGES						Y	Y	Y
46.46.02A	POWER STEERING COMPONENTS	Y	Y	Y	Y	Y			
46.46.02B	POWER STEERING COMPONENTS						Y	Y	Y
46.46.03A	STEERING PIPE LINES	Y	Y	Y	Y	Y			
46.46.03B	STEERING PIPE LINES						Y	Y	Y
46.46.04	STEERING GEAR BOX (ZF)	Y	Y	Y	Y	Y	Y	Y	Y
46.46.05	STEERING GEAR BOX (RANE)	Y	Y	Y	Y	Y	Y	Y	Y
46.46.06	STEERING GEAR BOX (CHINA)	Y	Y	Y	Y	Y	Y	Y	Y
46.46.07	STEERING PUMP (CHINA)	Y	Y	Y	Y	Y	Y	Y	Y
46.46.08	HYDRAULIC TANK (ZF)	Y	Y	Y	Y	Y	Y	Y	Y
46.46.09	HYDRAULIC TANK (RANE)	Y	Y	Y	Y	Y	Y	Y	Y
46.46.10	HYDRAULIC TANK (CHINA)	Y	Y	Y	Y	Y	Y	Y	Y
47	FUEL SYSTEM								
47.47.01A	FUEL SYSTEM	Y							
47.47.01B	FUEL SYSTEM		Y	Y	Y	Y			
47.47.01C	FUEL SYSTEM						Y	Y	Y
49	EXHAUST SYSTEM								
49.49.01A	EXHAUST SYSTEM	Y							
49.49.01B	EXHAUST SYSTEM		Y	Y					
49.49.01C	EXHAUST SYSTEM				Y	Y			
49.49.01D	EXHAUST SYSTEM						Y	Y	Y
50	RADIATOR								
50.50.01	RADIATOR (LP)	Y	Y	Y	Y	Y			
50.50.02	RADIATOR (LPO)						Y	Y	Y
54	ELECTRICAL								
54.54.01A	LIGHT AND SIGNAL SYSTEM	Y	Y	Y	Y	Y			
54.54.01B	LIGHT AND SIGNAL SYSTEM						Y		
54.54.01C	LIGHT AND SIGNAL SYSTEM							Y	Y
54.54.02	INSTRUMENT PANEL						Y	Y	Y
54.54.03A	INSTRUMENT CLUSTER	Y							
54.54.03B	INSTRUMENT CLUSTER		Y	Y	Y	Y			
54.54.03C	INSTRUMENT CLUSTER						Y	Y	Y
54.54.04A	WIRING HARNESS	Y							
54.54.04B	WIRING HARNESS		Y	Y					
54.54.04C	WIRING HARNESS				Y	Y			
54.54.04D	WIRING HARNESS						Y		
54.54.04E	WIRING HARNESS							Y	Y
60	BODY								
60.60.01A	ASSY. COWL (WITH FACE)	Y	Y	Y		Y			

00.01.01A

ENGINE

GROUP 01

CHASSIS TYPE: 412073; 412081; 412073; 412052; 412074; 412080

NO IMAGE

00.01.01A		ENGINE		GROUP 01	
CHASSIS TYPE: 412073; 412081; 412073; 412052; 412074; 412080					
FIG. NO.	PART NUMBER	DESCRIPTION	QTY	REMARKS	
-	278601000224	ASSY. ENGINE COMPLETE 6BT (125 HP), VISCIOUS FAN, 24V, W/O CLUTCH AND CLUTCH HOUSING BS-II	1	FOR ROTARY FIP	
-	278601990117	ASSY. LONG BLOCK 6 BT BS-II	1		

00.01.01B

ENGINE

GROUP 01

CHASSIS TYPE: 412091; 412271; 412076

NO IMAGE

00.01.01B		ENGINE		GROUP 01	
CHASSIS TYPE: 412091; 412271; 412076					
FIG. NO.	PART NUMBER	DESCRIPTION	QTY	REMARKS	
-	207601000137	ASSY. ENGINE COMPLETE 6BT (125 HP), VISCIOUS FAN, 24V, W/O CLUTCH AND CLUTCH HOUSING BS-II	1	FOR ROTARY FIP	
-	278601990117	ASSY. LONG BLOCK 6 BT BS-II	1		

00.01.02

ENGINE OVERHAUL KIT

GROUP 01

CHASSIS TYPE: ALL

NO IMAGE

00.01.02		ENGINE OVERHAUL KIT		GROUP 01	
CHASSIS TYPE: ALL					
FIG. NO.	PART NUMBER	DESCRIPTION	QTY	REMARKS	
	885401032516	ENGINE OVERHAUL KIT FOR TCL ENGINE	1		
		CONSISTING OF:			
	-	BARE PISTON SET STD	1	SET	
	-	SET OF PISTON RINGS STD	1	SET	
	-	SLEEVE SALVAGE	6		
	-	SET OF MAIN BEARING RS I	1	SET	
	-	SET CON ROD BEARING STD	1	SET	
	-	BUSH CON ROD	6		
	-	BUSHING CAM	1		
	-	VALVE COLLET	24		
	-	PLUG EXPANSION	1		
	-	INTAKE VALVE	6		
	-	EXHAUST VALVE	6		
	-	GUIDE VALVE STEM - INLET	6		
	-	GUIDE VALVE STEM - EXHAUST	6		
	-	ENGINE GASKET KIT UPPER	1	SET	
	-	ENGINE GASKET KIT LOWER	1	SET	
	-	CATRIDGE LUB OIL FILTER	1		
	-	KIT INSERT - INLET VALVE	6		
	-	KIT INSERT - EXHAUST VALVE	6		

00.01.03

ENGINE GASKET KIT

GROUP 01

CHASSIS TYPE: ALL

NO IMAGE

00.01.03		ENGINE GASKET KIT		GROUP 01
CHASSIS TYPE: ALL				
FIG. NO.	PART NUMBER	DESCRIPTION	QTY	REMARKS
	278620999933	UPPER ENGINE GASKET KIT CONSISTS OF :	1	
	-	SEAL 'O' RING (BIG)	1	
	-	SEAL 'O' RING (SMALL)	1	
	-	WASHER SEALING	6	
	-	WASHER SEALING	4	
	-	WASHER SEALING	4	
	-	SEAL RECTANGULAR RING	1	
	-	GASKET CONNECTION	1	
	-	SEAL 'O' RING	2	
	-	GASKET CONNECTION	2	
	-	GASKET OIL DRAIN	1	
	-	SEAL VALVE STEM	6	
	-	GASKET TURBOCHARGER	1	
	-	SEAL BANJO CONNECTOR	6	
	-	SEAL RECTANGULAR RING	6	
	-	SEAL VALVE STEM	6	
	-	GASKET EXHAUST MANIFOLD	6	
	-	GASKET INT. MANIFOLD COVER	1	
	-	WASHER SEALING	2	
	-	GASKET CYLINDER HEAD	1	
	-	ISOLATOR NOISE	6	
	-	GASKET VALVE COVER	6	
	-	SEAL INJECTOR	6	
	278601999993	LOWER ENGINE GASKET CONSISTS OF :	1	
	-	SEAL 'O' RING	1	
	-	GASKET PUSH ROD COVER	1	
	-	SEAL GROMMET	6	
	-	KIT OIL SEAL	1	
	-	GASKET REAR COVER	1	
	-	GASKET REAR HOUSING	1	
	-	SEAL 'O' RING	1	
	-	SEAL 'O' RING	1	
	-	SEAL RECTANGULAR RING	1	
	-	GASKET GEAR COVER	1	
	-	SEAL OIL	1	
	-	GASKET COVER PLATE	2	
	-	GASKET FILTER HEAD	1	
	-	GASKET LUB COOLER	1	
	-	SEAL RECTANGULAR RING	1	

00.01.03

ENGINE GASKET KIT

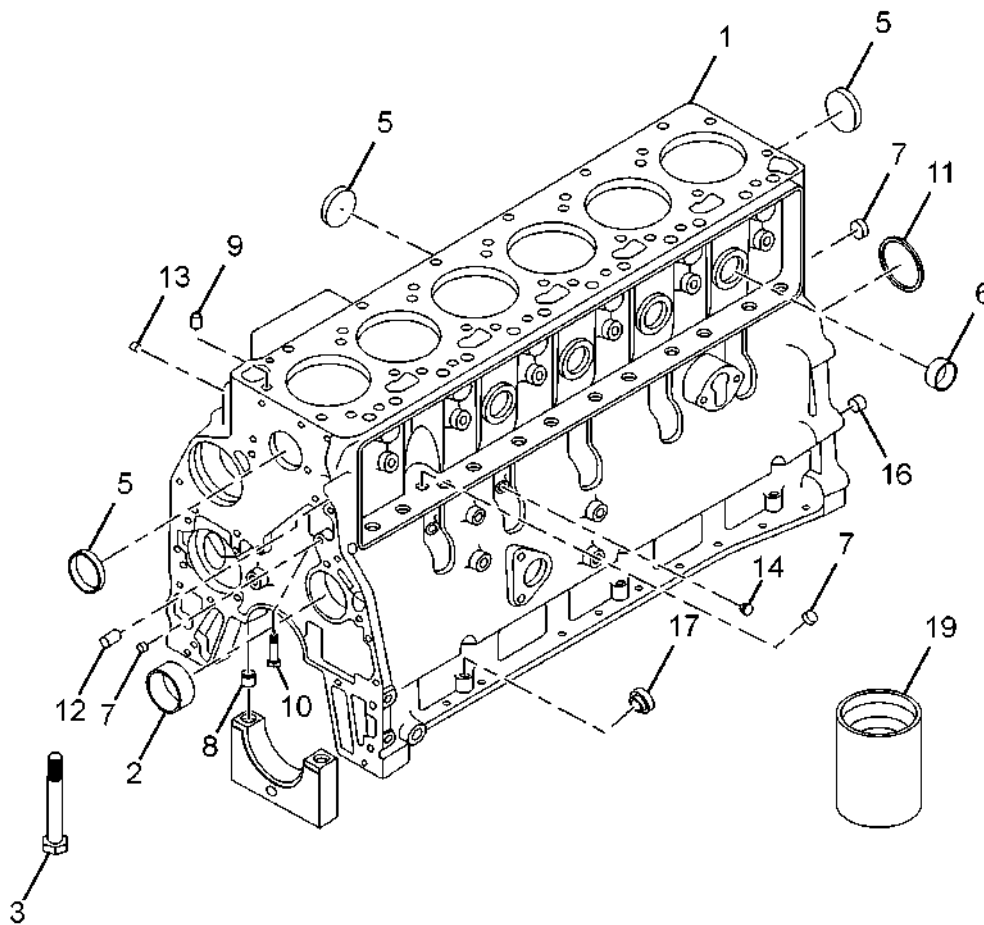
GROUP 01

CHASSIS TYPE: ALL

NO IMAGE

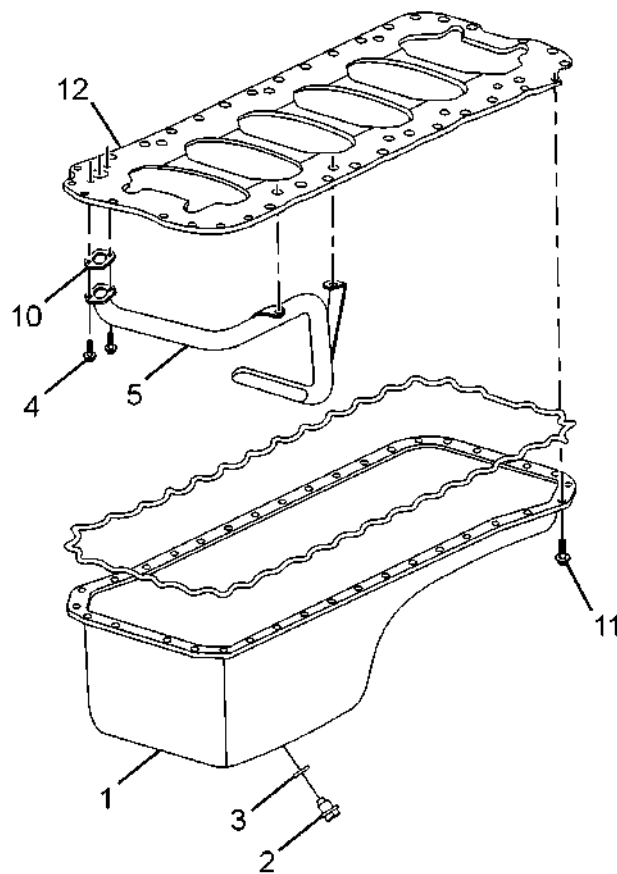
00.01.03		ENGINE GASKET KIT		GROUP 01	
CHASSIS TYPE: ALL					
FIG. NO.	PART NUMBER	DESCRIPTION	QTY	REMARKS	
-		SEAL 'O' RING	1		
-		SEAL 'O' RING	1		
-		WASHER SEALING	1		
-		WASHER SEALING	1		
-		GASKET FLANGE	1		
-		SEAL RECTANGULAR RING	1		
-		SEAL RECTANGULAR RING	1		
-		NOZZLE PISTON COOLING	6		

CHASSIS TYPE: ALL



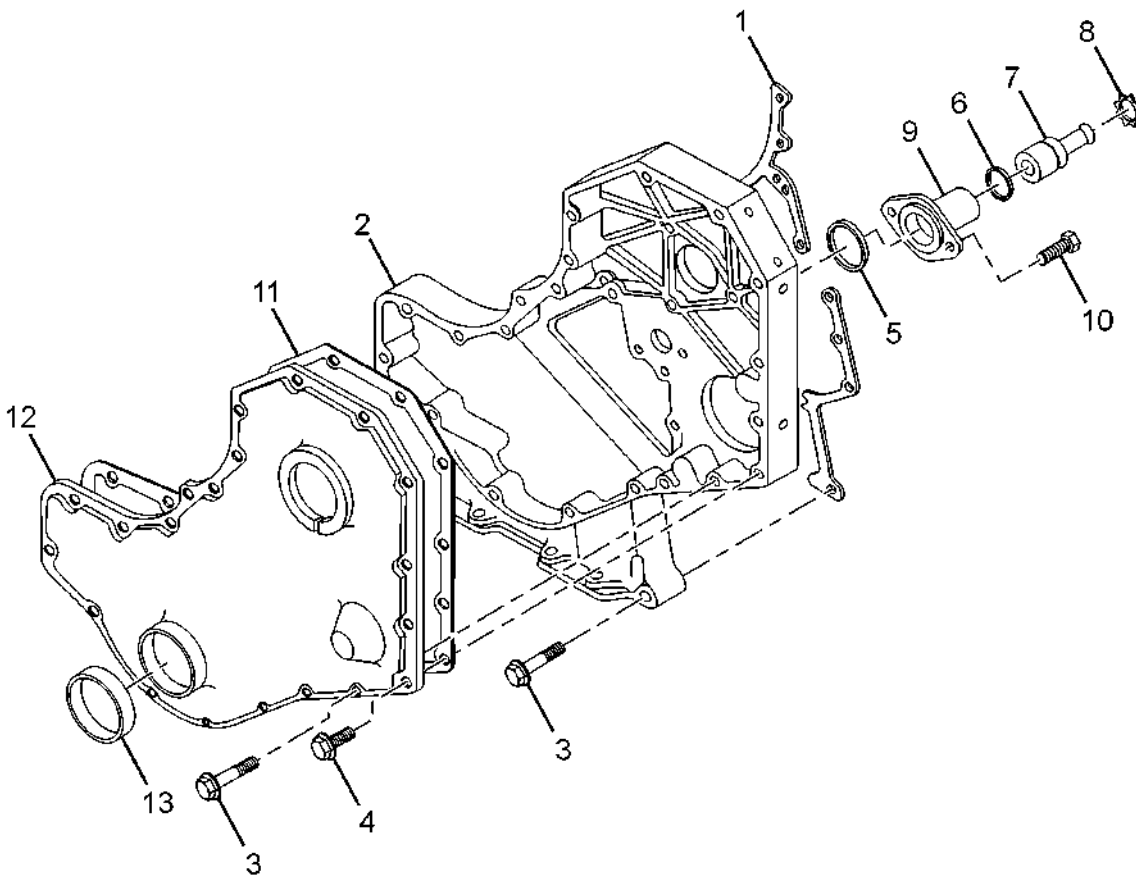
00.01.04		CYLINDER BLOCK		GROUP 01	
CHASSIS TYPE: ALL					
FIG. NO.	PART NUMBER	DESCRIPTION	QTY	REMARKS	
1	278601990110	CYLINDER BLOCK STD	1		
2	278601999902	BUSHING	1		
3	278601999903	SCREW HEX. HEAD CAP M 14 X2.0X119	14		
5	278601999905	PLUG EXPANSION	6		
6	278601999906	PLUG EXPANSION	4		
7	278601999907	PLUG EXPANSION 17.73 MM	3	REPAIR PURPOSE	
8	278601999914	DOWEL RING M 18X10	14		
9	278601999908	DOWEL RING M 16X10	2		
10	278618999934	NOZZLE PISTON COOLING	6		
11	278601999910	PLUG EXPANSION	1		
12	278601999911	DOWEL PIN M 10X16	2		
13	278607999953	PLUG PIPE	1		
14	278601999913	PLUG PIPE	1		
16	278601999914	DOWEL RING	2		
17	278601999915	PLUG EXPANSION	2		
19	278601999916	SLEEVE SALVAGE (STANDARD BORE)	6	REPAIR PURPOSE	
	278605999937	PLUG EXPANSION (AT THE SIDE OF THE BLOCK FOR OIL FILL)	1		

CHASSIS TYPE: ALL



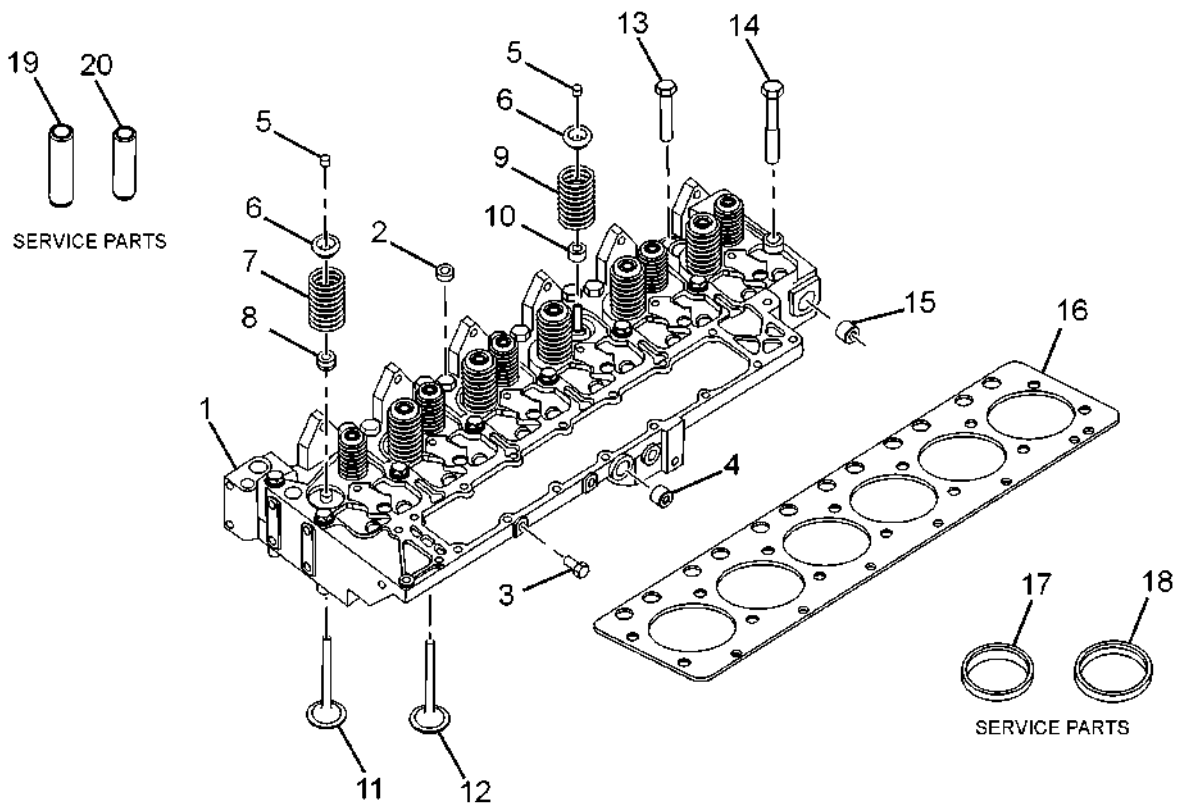
00.01.05		OIL PAN		GROUP 01	
CHASSIS TYPE: ALL					
FIG. NO.	PART NUMBER	DESCRIPTION	QTY	REMARKS	
1	278618999935	PAN OIL	1		
2	278618999919	PLUG THREADED M8 X 1.50	1		
3	278618999920	WASHER SEALING	1		
4	278613998001	SCREW HEX. FLANGE HEAD CAP M8X1.25X20	4		
5	278618999922	CONNECTION OIL SUCTION	1		
10	278618999924	GASKET FLANGE	1		
11	278618999925	SCREW HEX. FLANGE HEAD CAP M 8XX1.25X25	36		
12	278618999927	PLATE CYLINDER BLOCK STIFFNER (BED PLATE)	1		

CHASSIS TYPE: ALL



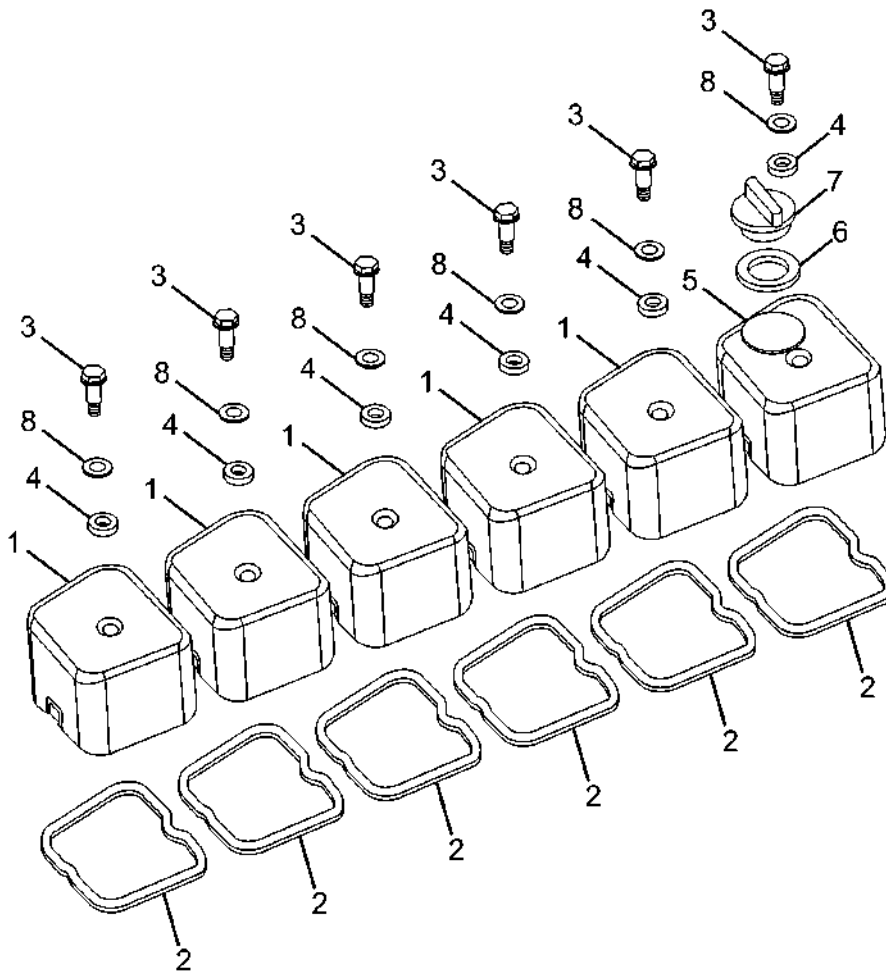
00.01.06		FRONT GEAR COVER		GROUP 01	
CHASSIS TYPE: ALL					
FIG. NO.	PART NUMBER	DESCRIPTION	QTY	REMARKS	
1	278607999918	GASKET GEAR HOUSING	1		
2	278607989922	HOUSING GEAR	1		
3	278603999926	SCREW HEX. FLANGE HEAD CAP M 8X1.25X50	11		
4	278603999927	SCREW HEX. FLANGE HEAD CAP M 8X1.25X16	16		
5	278603999928	SEAL RECTANGULAR RING	1		
6	278603999930	SEAL 'O' RING	1		
7	278603999931	PIN TIMING	1		
8	278603999932	RING RETAINING	1		
9	278603999933	HOUSING TIMING PIN	1		
10	278607999954	SCREW ROUND HEAD CAP M 5X0.8X17	2		
11	278607989921	GASKET GEAR COVER	1		
12	278605999964	COVER GEAR	1		
13	278618999965	SEAL OIL	1		

CHASSIS TYPE: ALL



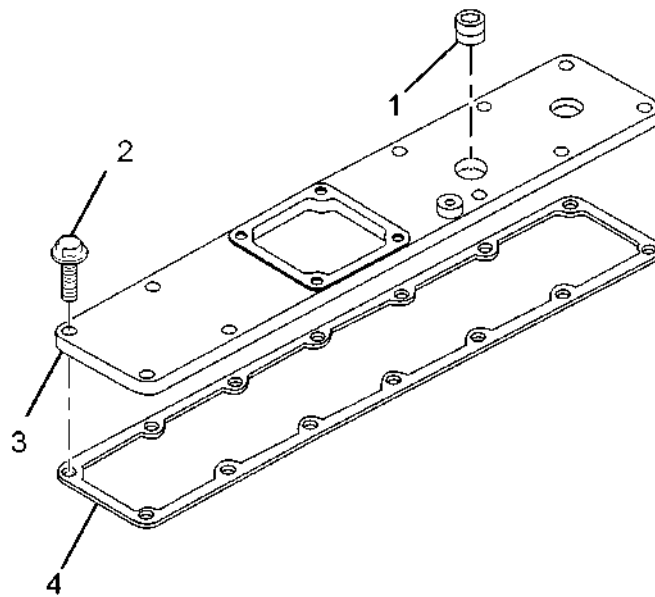
00.01.07		CYLINDER HEAD		GROUP 01
CHASSIS TYPE: ALL				
FIG. NO.	PART NUMBER	DESCRIPTION	QTY	REMARKS
1	278601990112	ASSY. CYLINDER HEAD	1	
2	278601999920	PLUG EXPANSION	5	
3	278601999913	PLUG PIPE	2	
4	278601999945	PLUG PIPE	5	
5	278601999925	COLLET VALVE	24	
6	278605999957	RETAINER VALVE SPRING	12	
7	278601999912	SPRING COMPRESSION	6	
8	278601999923	SEAL VALVE STEM	6	
9	278601999921	SPRING VALVE	6	
10	278601999924	SEAL VALVE STEM	6	
11	278601999926	VALVE INTAKE	6	
12	278601999928	VALVE EXHAUST	6	
13	278601999929	SCREW HEX. HEAD CAP	6	
14	278601999930	SCREW HEX. HEAD CAP	14	
15	278601999944	PLUG PIPE	1	
16	278601999931	GASKET CYLINDER HEAD STD	1	
16	278601999932	GASKET CYLINDER HEAD 0.25 MM OVER SIZE	1	SERVICE PART
16	278601999933	GASKET CYLINDER HEAD 0.50 MM OVER SIZE	1	SERVICE PART
17	278601999934	INSERT VALVE EXHAUST	AR	SERVICE PART
18	278601999935	INSERT VALVE INTAKE	AR	SERVICE PART
19	278601999936	GUIDE VALVE STEM (THK WALL 60.5 MM LG) INTAKE	AR	REPAIR PURPOSE
20	278601999937	GUIDE VALVE STEM (THK WALL 51.75 MM LG) EXH.	AR	REPAIR PURPOSE
	278605999950	KIT GUIDE VALVE STEM EXHAUST CONSISTING OF :	1	
	-	GUIDE VALVE STEM EXHAUST	6	
	278605999949	KIT GUIDE VALVE STEM INTAKE CONSISTING OF :	1	
	-	GUIDE VALVE STEM INTAKE	6	
	278605999947	KIT INSERT EXHAUST VALVE CONSISTING OF :	1	
	-	INSERT EXHAUST VALVE	6	
	278605999948	KIT INSERT INTAKE VALVE CONSISTING OF :	1	
	-	INSERT INTAKE VALVE	6	

CHASSIS TYPE: ALL



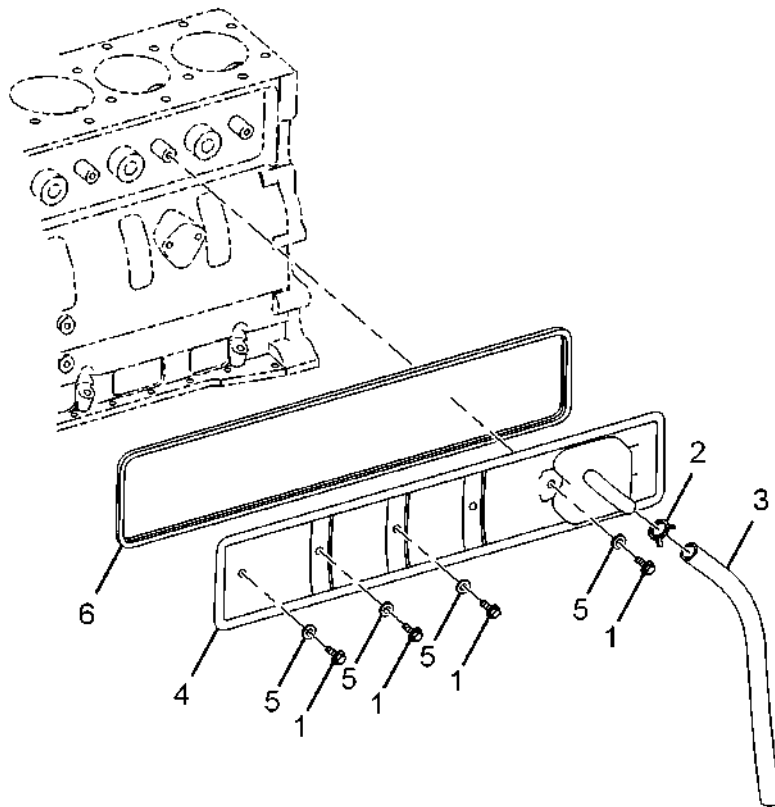
00.01.08		VALVE COVER		GROUP 01	
CHASSIS TYPE: ALL					
FIG. NO.	PART NUMBER	DESCRIPTION	QTY	REMARKS	
1	278605999927	COVER VALVE	5		
2	278605999928	GASKET VALVE COVER	6		
3	278605999929	SCREW HEX. FLANGE HEAD CAP M 8X1.25X21	6		
4	278605999930	ISOLATOR NOISE	6		
5	278605999932	COVER VALVE	1		
6	278607999982	SEAL, RECTANGULAR RING	1		
7	278607999984	CAP, FILLER	1		
8	278609999919	WASHER, PLAIN	6		

CHASSIS TYPE: ALL



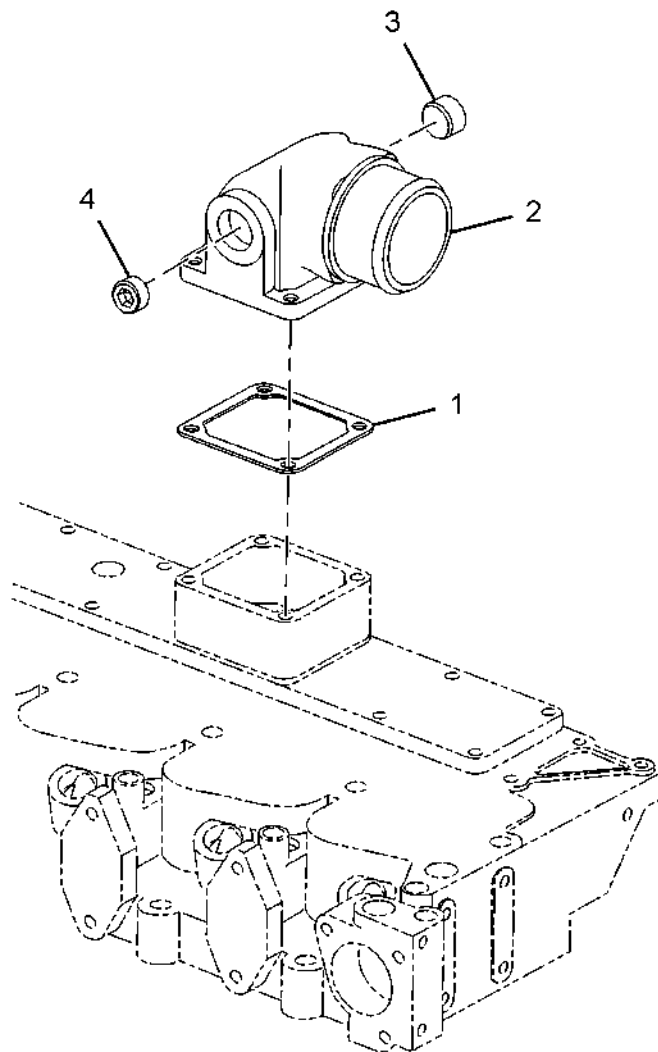
00.01.09		INTAKE MANIFOLD		GROUP 01	
CHASSIS TYPE: ALL					
FIG. NO.	PART NUMBER	DESCRIPTION	QTY	REMARKS	
1	278601999945	PLUG, PIPE	1		
2	278609999901	SCREW HEX. FLANGE HEAD CAP M 8X1.25X25	10		
3	278601999961	COVER, INTAKE MANIFOLD	1		
4	278609999937	GASKET INTAKE MANIFOLD COVER	1		

CHASSIS TYPE: ALL



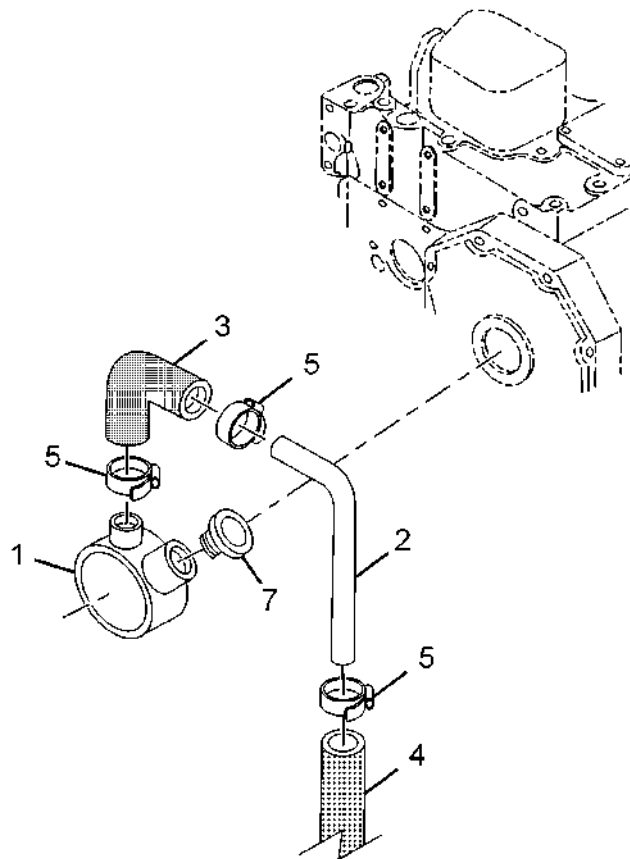
00.01.10		CAM FOLLOWER COVER		GROUP 01
CHASSIS TYPE: ALL				
FIG. NO.	PART NUMBER	DESCRIPTION	QTY	REMARKS
1	278605999905	SCREW HEX. HEAD CAP M 8X1.25X16	4	
2	278605999907	CLAMP SPRING (HOSE)	1	
3	278605999906	HOSE PLAIN	1	
4	278605999902	COVER PUSH ROD	1	
5	278605999904	SEAL GROMMET	4	
6	278605999901	GASKET PUSH ROD COVER	1	

CHASSIS TYPE: ALL



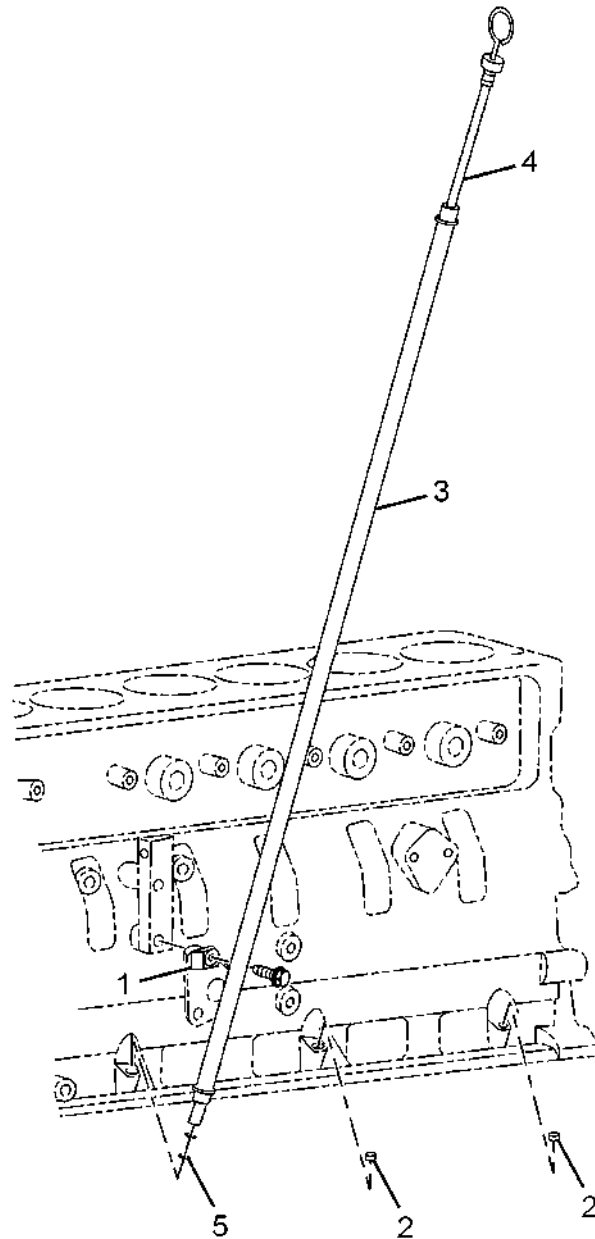
00.01.11		CONNECTION AIR INTAKE		GROUP 01
CHASSIS TYPE: ALL				
FIG. NO.	PART NUMBER	DESCRIPTION	QTY	REMARKS
1	278620999941	GASKET CONNECTION	1	
2	278601999956	CONNECTION AIR INTAKE	1	
3	278601999944	PLUG PIPE	2	
4	278620999940	CONNECTING SPACER	1	

CHASSIS TYPE: ALL



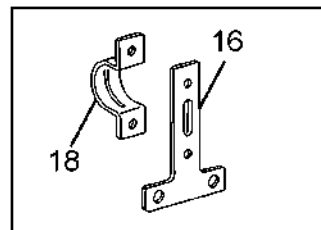
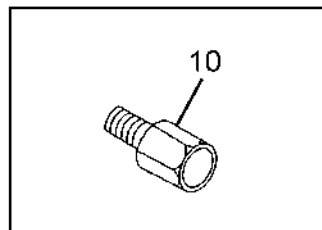
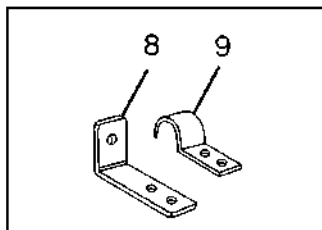
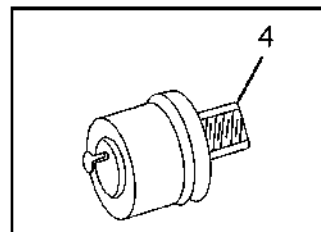
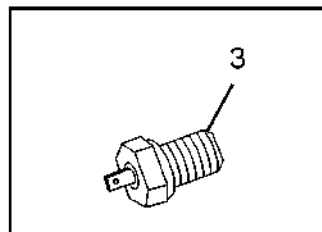
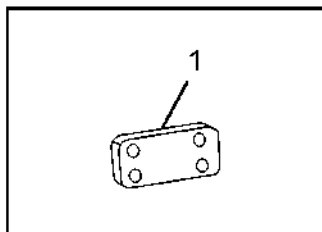
00.01.12		OIL FILL LOCATION		GROUP 01	
CHASSIS TYPE: ALL					
FIG. NO.	PART NUMBER	DESCRIPTION	QTY	REMARKS	
	278601999982	KIT BREATHER CRANKCASE CONSISTING OFF :	1		
1	-	BREATHER CRANKCASE	1		
2	-	TUBE BREATHER	1		
3	-	HOSE, ELBOW	1		
4	-	HOSE PLAIN	1		
5	-	CLAMP HOSE	3		
	-	SEAL RECTANGULAR	1		
7	-	CAP FILLER	1		

CHASSIS TYPE: ALL



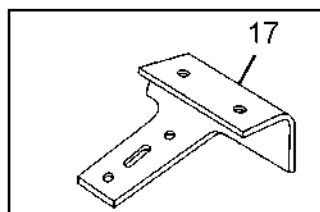
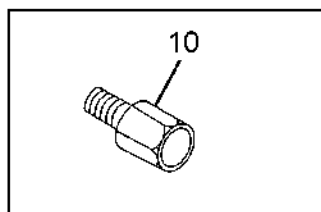
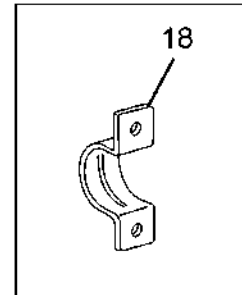
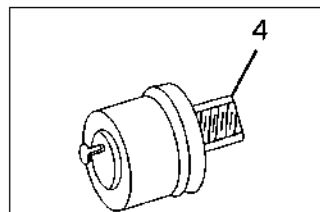
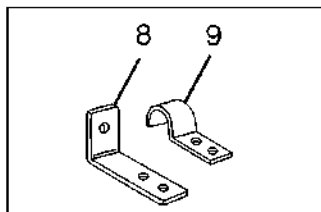
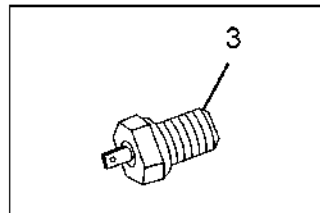
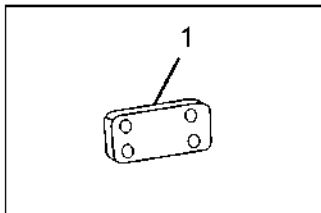
00.01.13		DIPSTICK		GROUP 01	
CHASSIS TYPE: ALL					
FIG. NO.	PART NUMBER	DESCRIPTION	QTY	REMARKS	
1	278614999927	CLAMP, TUBE	1		
2	278601999915	PLUG EXPANSION	2		
3	278601999807	TUBE, OIL GAUGE	1		
4	278601999809	DIPSTICK	1		
5	278618999967	SEAL 'O' RING	1		

CHASSIS TYPE: 412073; 412081; 412073; 412052; 412074; 412080



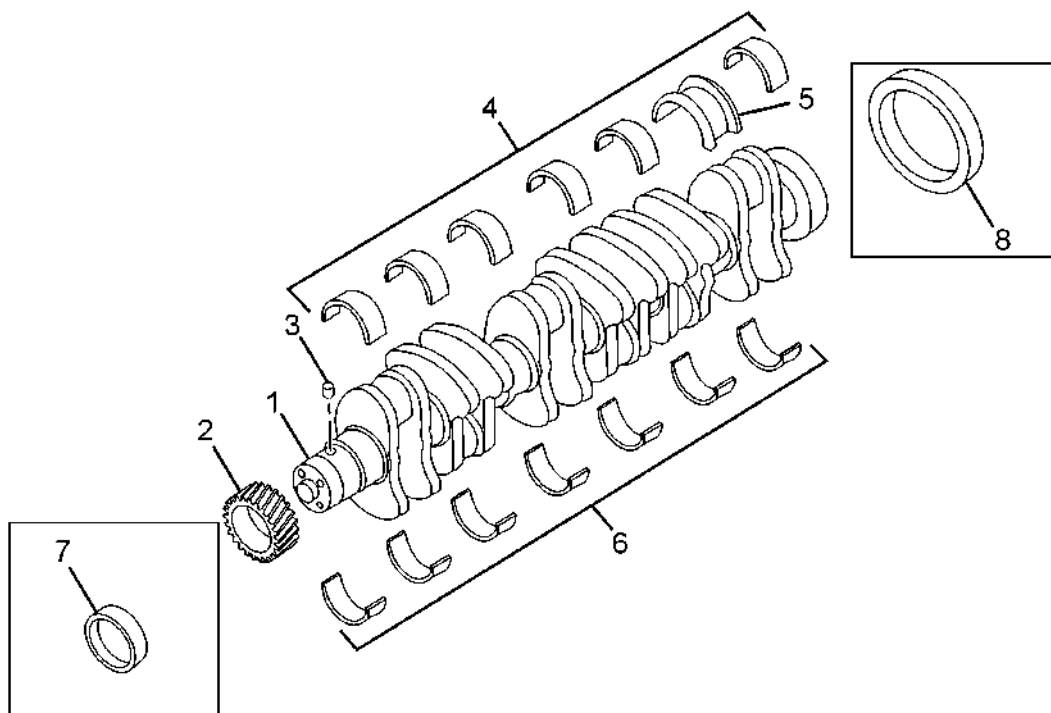
00.01.14A		FITMENTS ON ENGINE		GROUP 01
CHASSIS TYPE: 412073; 412081; 412073; 412052; 412074; 412080				
FIG. NO.	PART NUMBER	DESCRIPTION	QTY	REMARKS
1	278603114701	BOTTOM COVER (FLY WHEEL HSG.)	1	
	278503118001	SCREW (FLYWHEEL HSG)	4	
3	275454309901	TEMPERATURE TRANSDUCER	1	
4	265454509913	OIL PRESSURE SWITCH	1	
8	278601173334	BRACKET (FOR DIPSTICK TUBE CLAMPING)	1	
9	257642914201	CLAMP	1	
10	278618179901	ADAPTER (FOR OIL PR. TRANSDUCER)	1	
16	278509113301	BRACKET (FUEL FILTER MTG.)	1	
18	278509114201	CLAMP (BABY FILTER)	1	

CHASSIS TYPE: 412091; 412271; 412076



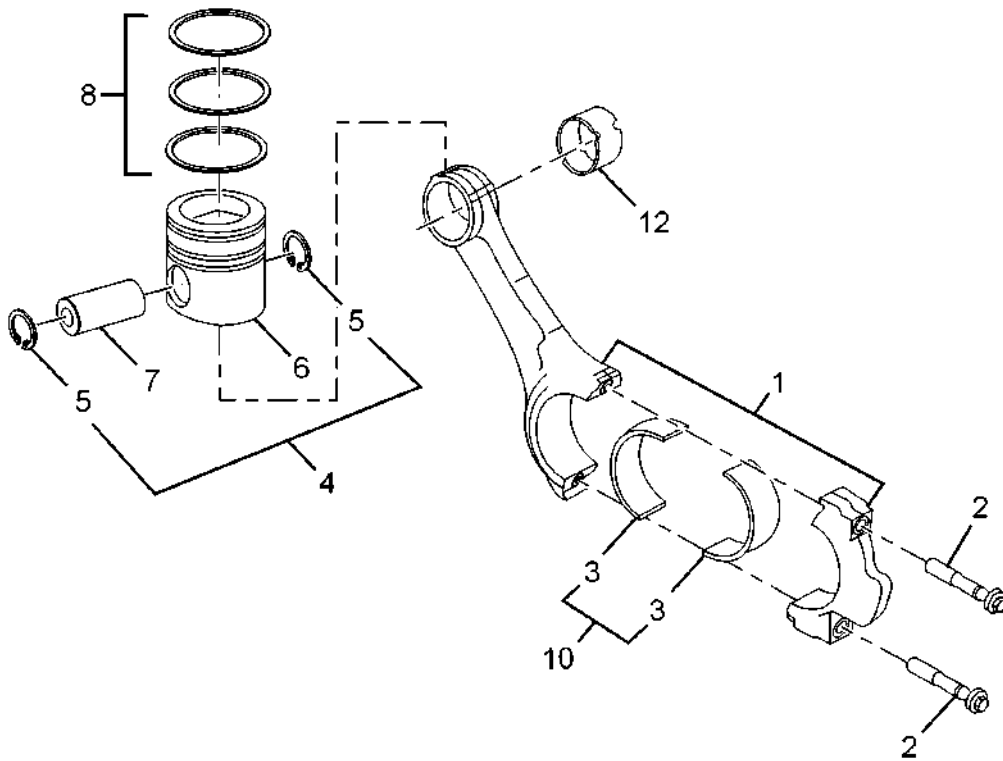
00.01.14B		FITMENTS ON ENGINE		GROUP 01	
CHASSIS TYPE: 412091; 412271; 412076					
FIG. NO.	PART NUMBER	DESCRIPTION	QTY	REMARKS	
1	278603114701	BOTTOM COVER (FLY WHEEL HSG.)	1		
	278503118001	SCREW (FLYWHEEL HSG)	4		
3	275454309901	TEMPERATURE TRANSDUCER	1		
4	265454509913	OIL PRESSURE SWITCH	1		
8	278601173306	BRACKET (FOR DIPSTICK TUBE CLAMPING)	1		
9	3129952420	CLAMP	1		
10	278618179901	ADAPTER (FOR OIL PR. TRANSDUCER)	1		
17	278609113301	BRACKET (FUEL FILTER MTG.)	1		
18	278509114201	CLAMP (BABY FILTER)	1		

CHASSIS TYPE: ALL



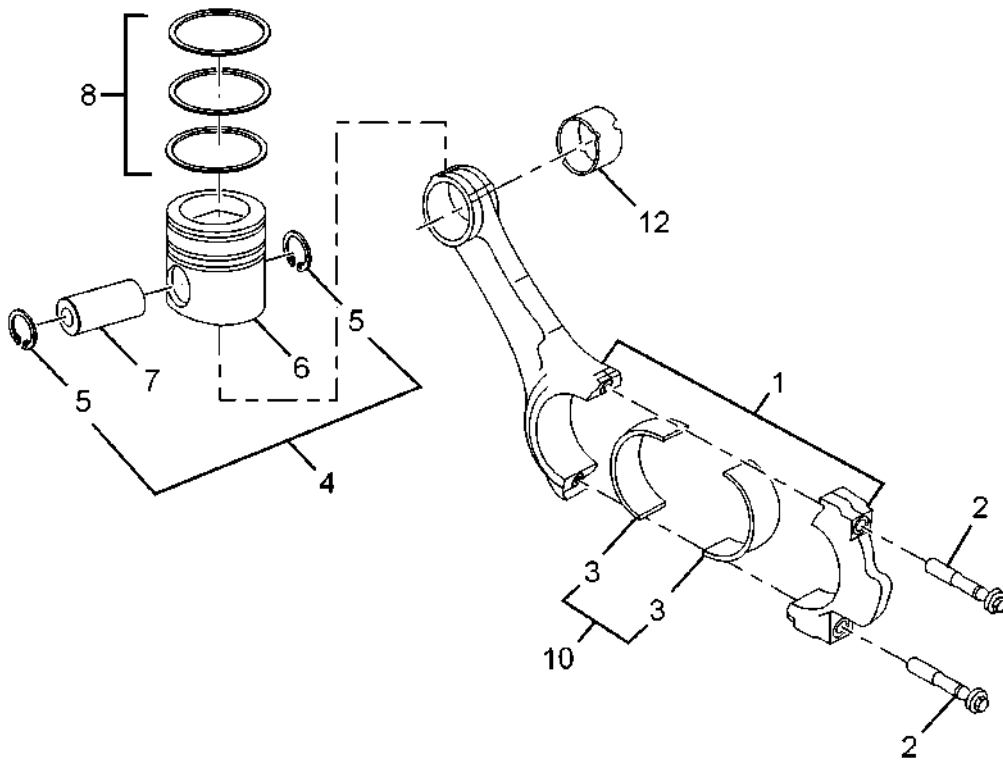
00.03.01		CRANKSHAFT AND MAIN BEARING		GROUP 03
CHASSIS TYPE: ALL				
FIG. NO.	PART NUMBER	DESCRIPTION	QTY	REMARKS
1	278603990103	ASSY. CRANKSHAFT	1	
2	278603999905	GEAR CRANKSHAFT	1	
3	278603999906	DOWEL PIN	1	
	278601999801	SET OF MAIN BEARING (STD)	1	SERVICED AS A SET
		CONSISTING OF:		
4	-	BEARING MAIN (UPPER)	6	
6	-	BEARING MAIN (LOWER)	7	
5	-	BEARING CRANKSHAFT (THRUST)	1	
	278601999802	SET OF MAIN BEARING (RSI) CONSISTING OF :(0.25 MM OVERSIZE)	1	SERVICED AS A SET
4	-	BEARING MAIN (UPPER)	6	
6	-	BEARING MAIN (LOWER)	7	
5	-	BEARING CRANKSHAFT (THRUST)	1	
	278603990106	SET OF MAIN BEARING (RS II) CONSISTING OF :(0.50 MM OVERSIZE)	1	SERVICED AS A SET
4	-	BEARING MAIN (UPPER)	6	
6	-	BEARING MAIN (LOWER)	7	
5	-	BEARING CRANKSHAFT (THRUST)	1	
	278603990107	SET OF MAIN BEARING (RS III) CONSISTING OF:(0.75 MM OVERSIZE)	1	SERVICED AS A SET
4	-	BEARING MAIN (UPPER)	6	
6	-	BEARING MAIN (LOWER)	7	
5	-	BEARING CRANKSHAFT (THRUST)	1	
	278603990108	SET OF MAIN BEARING (RS IV) CONSISTING OF:(1.00 MM OVERSIZE)	1	SERVICED AS A SET
4	-	BEARING MAIN (UPPER)	6	
6	-	BEARING MAIN (LOWER)	7	
5	-	BEARING CRANKSHAFT (THRUST)	1	
7	278603999907	SLEEVE WEAR (FRONT)	1	SERVICE PART
8	278603999908	SLEEVE WEAR (REAR)	1	SERVICE PART

CHASSIS TYPE: ALL



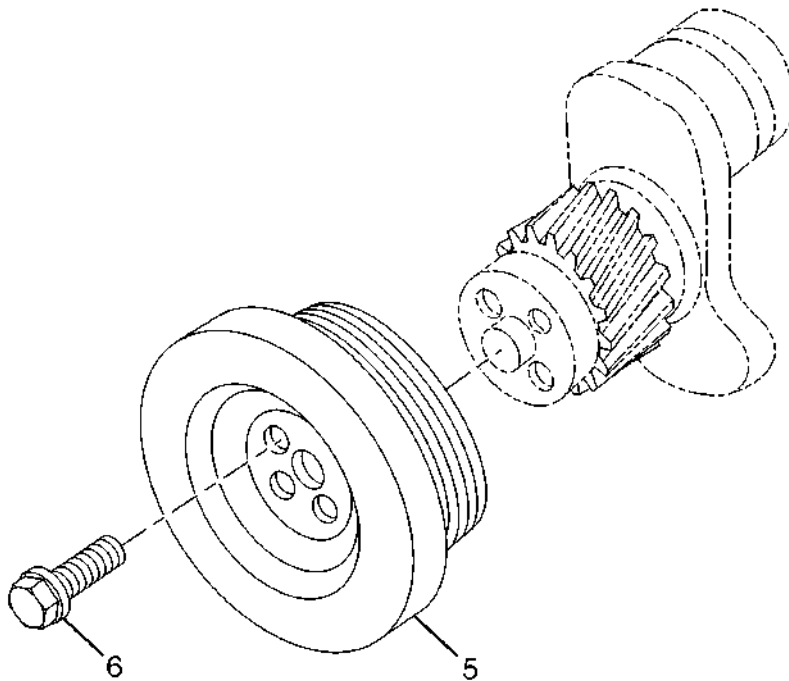
00.03.02		CONNECTING ROD AND PISTON		GROUP 03
CHASSIS TYPE: ALL				
FIG. NO.	PART NUMBER	DESCRIPTION	QTY	REMARKS
1	278603990102	ASSY. CON. ROD	6	
2	278603999901	SCREW CONNECTING ROD M 11X1.25X59	12	
		BARE PISTON SET		
4	278603999973	SET OF BARE PISTON STD CONSISTS OF:	1	SERVICED AS A SET
6	-	PISTON	6	NOT SERVICED LOOSE
7	-	PIN PISTON	6	NOT SERVICED LOOSE
5	-	RETAINING RING	12	NOT SERVICED LOOSE
4	278603999975	SET OF BARE PISTON R/S I CONSISTS OF :	1	SERVICED AS A SET
6	-	PISTON	6	NOT SERVICED LOOSE
7	-	PIN PISTON	6	NOT SERVICED LOOSE
5	-	RING RETAINING	12	NOT SERVICED LOOSE
4	278603999940	SET OF BARE PISTON R/S II CONSISTS OF :	1	SERVICED AS A SET
6	-	PISTON	6	NOT SERVICED LOOSE
7	-	PIN PISTON	6	NOT SERVICED LOOSE
5	-	RING RETAINING	12	NOT SERVICED LOOSE
		PISTON RING SET		
8	278603999977	SET OF PISTON RINGS STD (EURO I & II) CONSISTS OF :	1	SERVICED AS A SET
	-	OIL RING	6	NOT SERVICED LOOSE
	-	COMPRESSION RING	6	NOT SERVICED LOOSE
	-	COMPRESSION RING	6	NOT SERVICED LOOSE
8	278603999978	SET OF PISTON RINGS R/S I (EURO I & II) CONSISTS OF :	1	SERVICED AS A SET
	-	OIL RING	6	NOT SERVICED LOOSE

CHASSIS TYPE: ALL



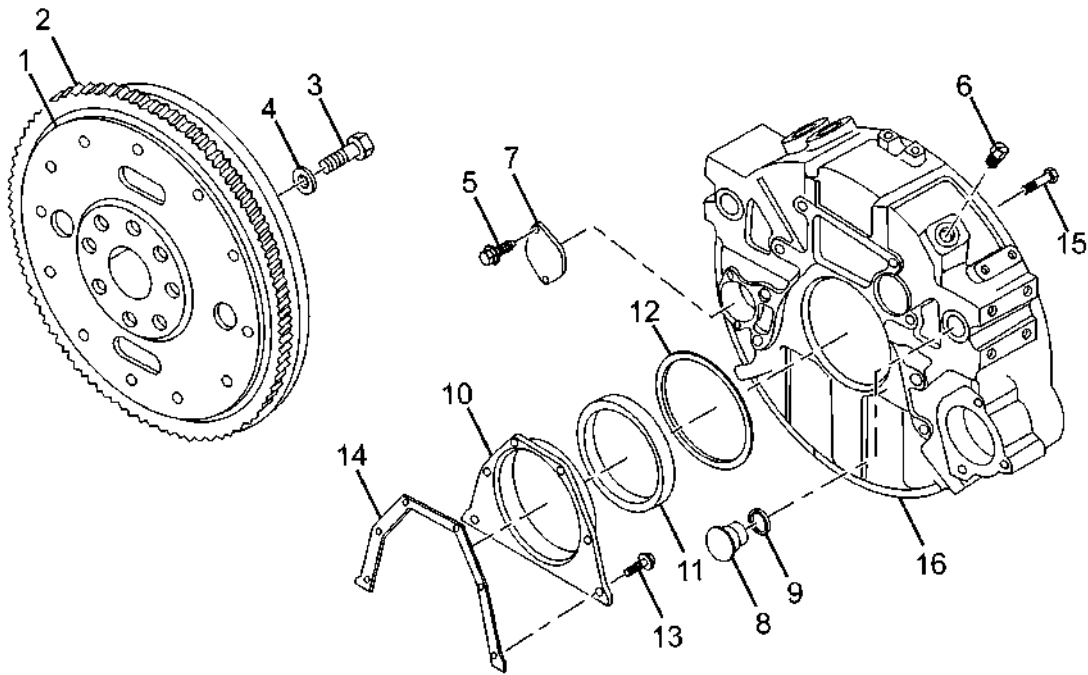
00.03.02		CONNECTING ROD AND PISTON		GROUP 03
CHASSIS TYPE: ALL				
FIG. NO.	PART NUMBER	DESCRIPTION	QTY	REMARKS
8	-	COMPRESSION RING	6	NOT SERVICED LOOSE
	-	COMPRESSION RING	6	NOT SERVICED LOOSE
	278603999979	SET OF PISTON RINGS R/S II (EURO I & II) CONSISTS OF :	1	SERVICED AS A SET
	-	OIL RING	6	NOT SERVICED LOOSE
	-	COMPRESSION RING	6	NOT SERVICED LOOSE
	-	COMPRESSION RING	6	NOT SERVICED LOOSE
10	278603999980	CON. ROD BEARING SET SET OF CON. ROD BEARING STD CONSISTS OF :	1	SERVICED AS A SET
3	-	BEARING CON. ROD STD	12	NOT SERVICED LOOSE
10	278613999904	SET OF CON. ROD BEARING R/S I CONSISTS OF :	1	SERVICED AS A SET
3	-	BEARING CON. ROD (0.25 MM OVERSIZE)	12	NOT SERVICED LOOSE
10	278613999903	SET OF CON. ROD BEARING R/S II CONSISTS OF :	1	SERVICED AS A SET
3	-	BEARING CON. ROD (0.5 MM OVERSIZE)	12	NOT SERVICED LOOSE
10	278613999902	SET OF CON. ROD BEARING R/S III CONSISTS OF :	1	SERVICED AS A SET
3	-	BEARING CON. ROD (0.75 MM OVERSIZE)	12	NOT SERVICED LOOSE
10	278613999901	SET OF CON. ROD BEARING R/S IV CONSISTS OF :	1	SERVICED AS A SET
3	-	BEARING CON. ROD (1.0 MM OVERSIZE)	12	NOT SERVICED LOOSE
12	278615999923	BUSH CON. ROD	6	

CHASSIS TYPE: ALL



00.03.03		VIBRATION DAMPER		GROUP 03	
CHASSIS TYPE: ALL					
FIG. NO.	PART NUMBER	DESCRIPTION	QTY	REMARKS	
5	278603999936	DAMPER VIBRATION	1		
6	278603999937	SCREW TWELVE POINT CAP M 12X1.25X36	4		

CHASSIS TYPE: ALL



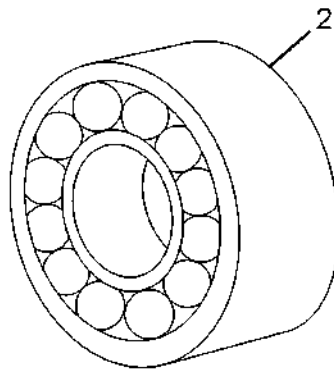
00.03.04		FLYWHEEL AND FLYWHEEL HOUSING		GROUP 03
CHASSIS TYPE: ALL				
FIG. NO.	PART NUMBER	DESCRIPTION	QTY	REMARKS
1	278607989925	ASSY. FLYWHEEL	1	
2	278603999989	GEAR FLYWHEEL RING	1	
3	278603999910	SCREW HEX. HEAD CAP M 12X1.25X32	8	
	278603999987	BOLT (RING GEAR TO FLYWHEEL)	4	
4	278603999911	WASHER PLAIN (1.65 THICK, M 12)	8	
5	278603999927	SCREW SELF TAPPING M 8X1.25X16	2	
6	278603999913	PLUG THREADED	1	
7	278603999914	PLATE COVER	1	
8	278603999915	PLUG 'O' RING	2	
9	278603999916	SEAL 'O' RING	2	
10	278603999918	COVER REAR	1	
11	278618999914	OIL SEAL	1	
12	278603999920	SEAL RECTANGULAR RING	1	
13	278607999915	SCREW HEX. FLANGE HEAD CAP M 6X1.0X16	6	
14	278603999921	GASKET REAR COVER	1	
15	278603999922	SCREW HEX. FLANGE HEAD CAP M 12X1.75X40	8	
16	278603999961	HOUSING FLYWHEEL	1	

00.03.05

SPACER BEARING (CLUTCH REAR)

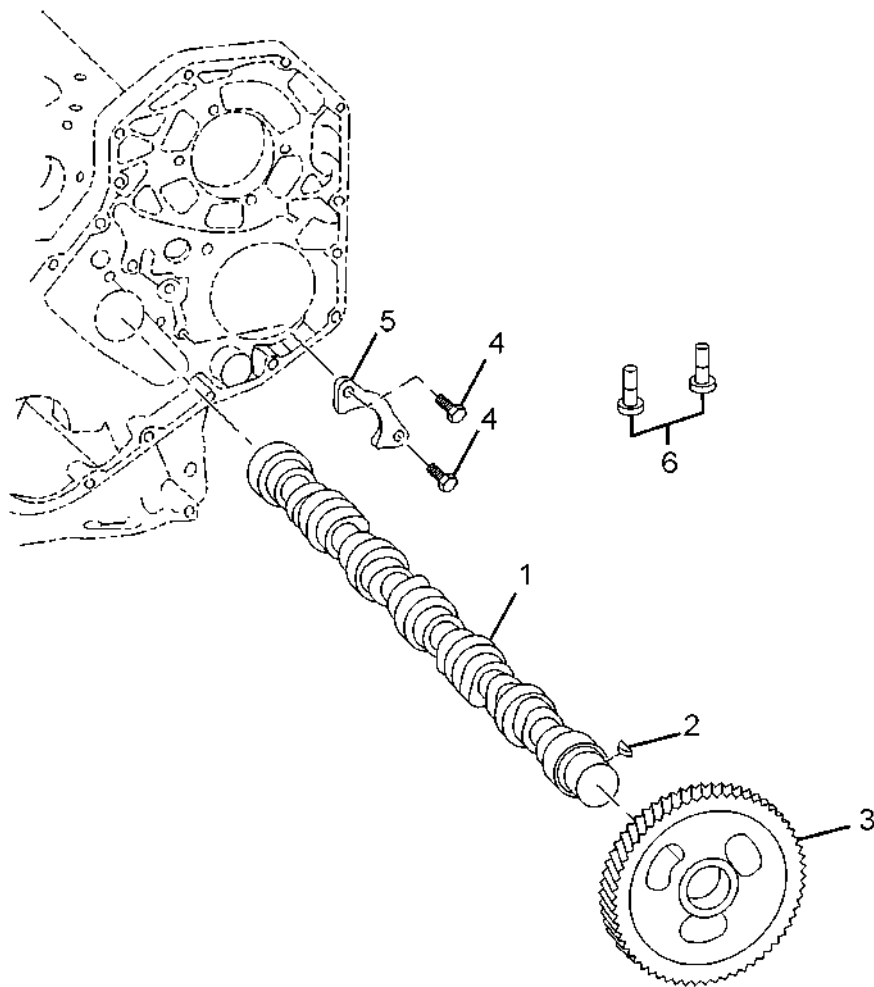
GROUP 03

CHASSIS TYPE: ALL



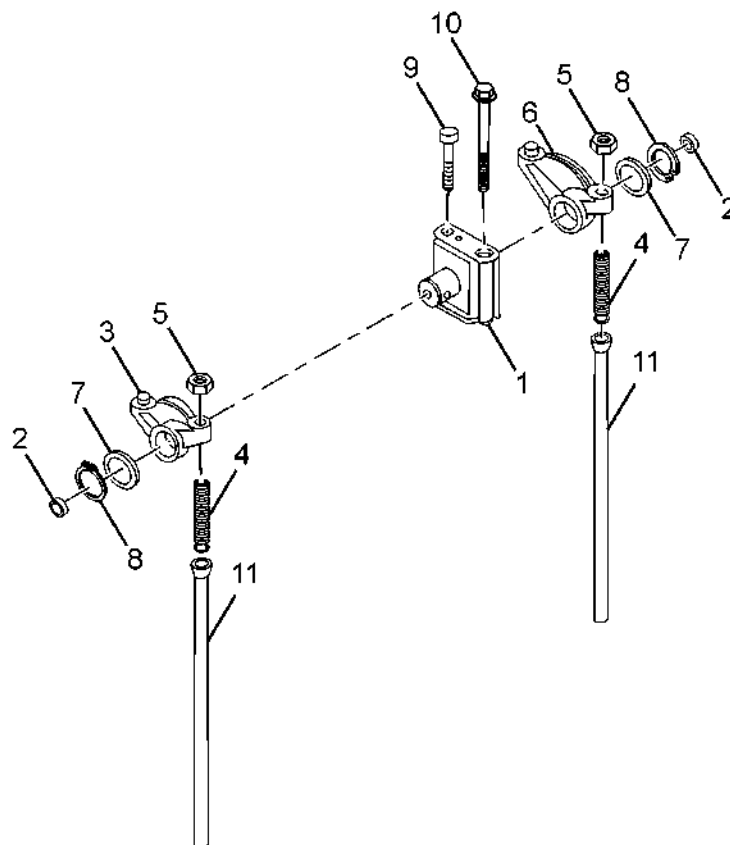
00.03.05		SPACER BEARING (CLUTCH REAR)		GROUP 03	
CHASSIS TYPE: ALL					
FIG. NO.	PART NUMBER	DESCRIPTION	QTY	REMARKS	
2	278603999945	BEARING BALL	1		

CHASSIS TYPE: ALL



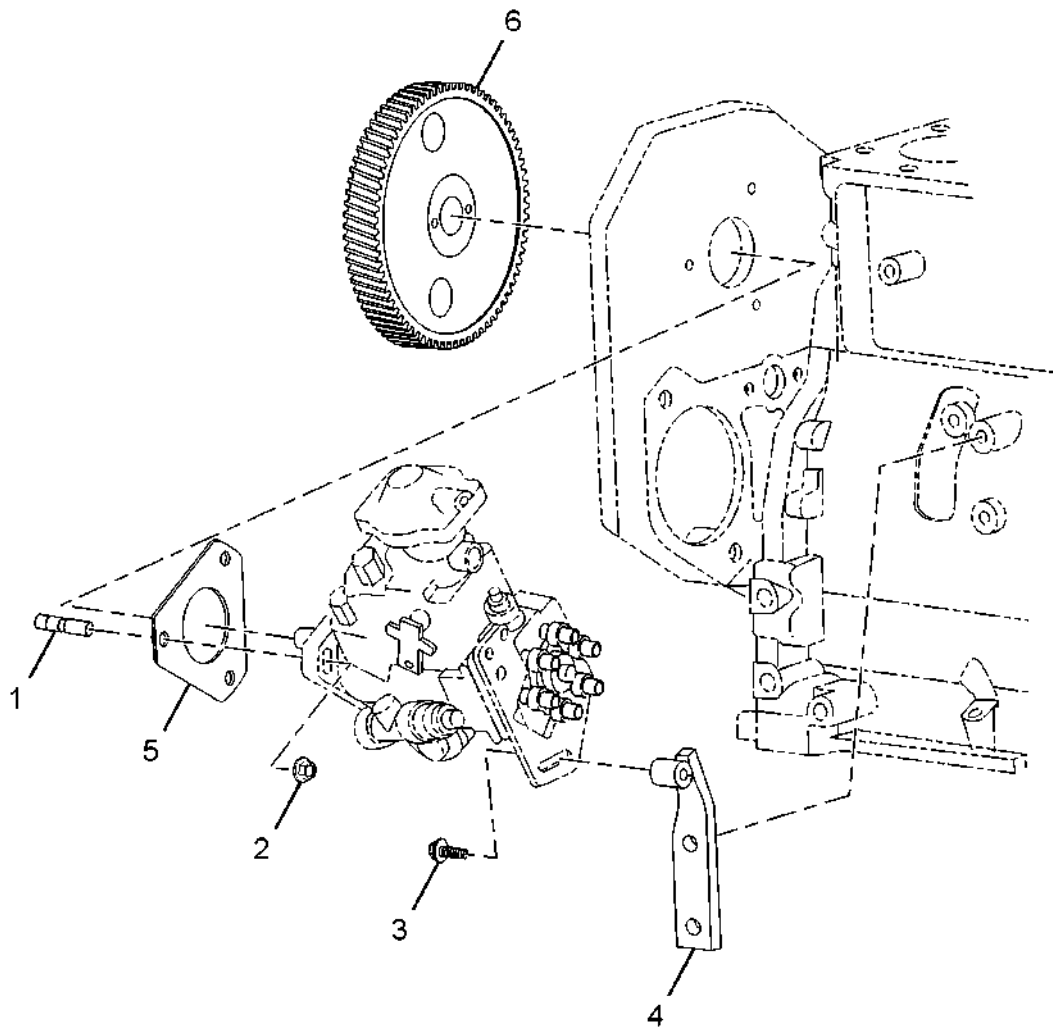
00.05.01		CAMSHAFT AND TAPPETS		GROUP 05	
CHASSIS TYPE: ALL					
FIG. NO.	PART NUMBER	DESCRIPTION	QTY	REMARKS	
1	278605999958	CAMSHAFT	1		
2	278605999909	KEY PLAIN WOODRUFF	1		
3	278605999910	GEAR CAMSHAFT	1		
4	278605999911	SCREW HEX. HEAD CAP M 8X1.25X22	2		
5	278605999912	SUPPORT CAMSHAFT	1		
6	278605999913	TAPPET VALVE	12		

CHASSIS TYPE: ALL



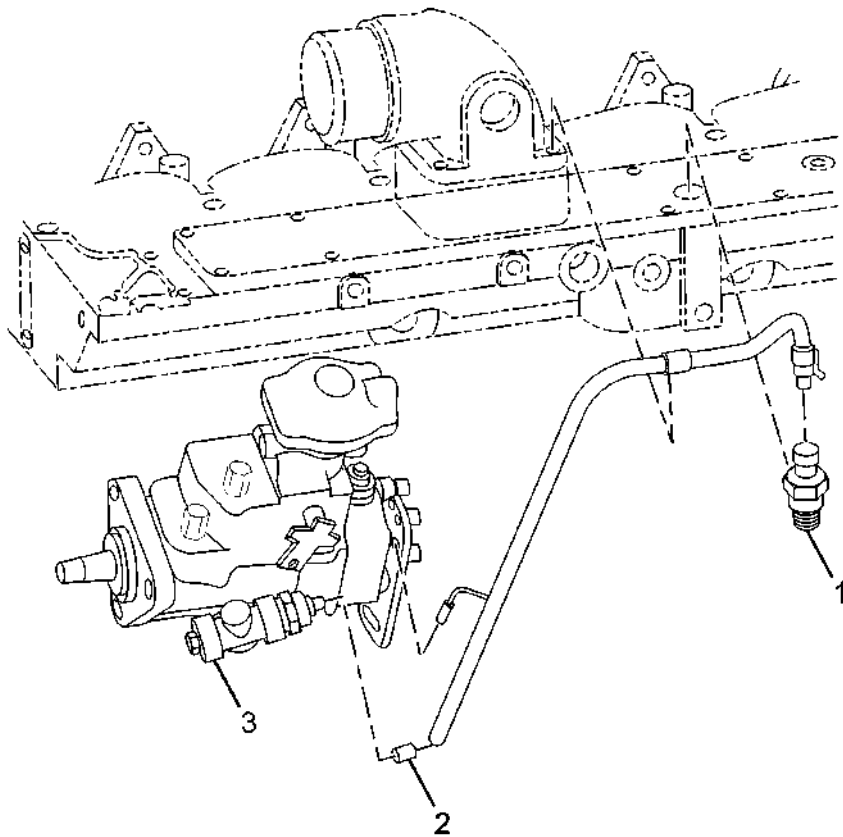
00.05.02		ROCKER LEVER		GROUP 05	
CHASSIS TYPE: ALL					
FIG. NO.	PART NUMBER	DESCRIPTION	QTY	REMARKS	
1	278605999955	ROCKER LEVER SUPPORT ASSY.	1		
	278605999915	SUPPORT ROCKER LEVER	6		
	278605999916	SHAFT ROCKER LEVER	6		
2	278603999988	PLUG EXPANSION	12		
3	278605999918	LEVER ROCKER EXHAUST	6		
4	278605999920	SCREW SLOTTED SET	6		
5	278605999931	NUT REGULAR HAXAGON	6		
6	278605999921	LEVER ROCKER INTAKE	6		
4	278605999920	SCREW SLOTTED SET	6		
5	278605999931	NUT REGULAR HEXAGON	6		
	278605999938	INSERT ROCKER	12		
7	278605999923	WASHER PLAIN	12		
8	278605999917	RING RETAINING	12		
9	278605999924	SCREW HEX. HEAD CAP M 8X1.25X75	6		
10	278605999925	SCREW HEX. HEAD CAP	6		
11	278605999926	ROD PUSH	12		

CHASSIS TYPE: ALL



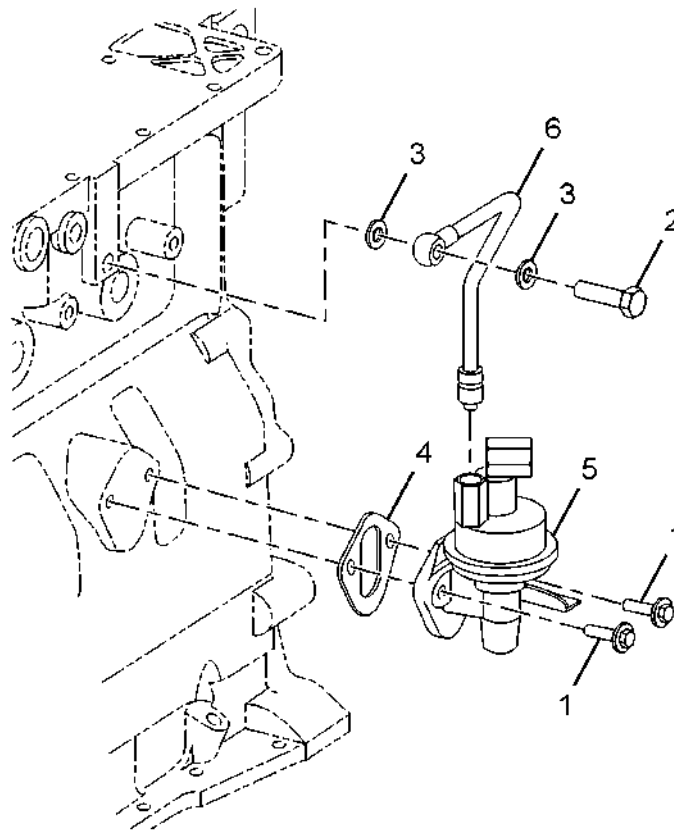
00.07.01		FUEL PUMP COUPLING		GROUP 07	
CHASSIS TYPE: ALL					
FIG. NO.	PART NUMBER	DESCRIPTION	QTY	REMARKS	
1	278601999984	STUD M 8X1.25X48	3		
2	278605999941	NUT, HEXAGON FLANGE M 8X1.25	3		
3	278613998001	SCREW, HEX. FLANGE M 8X1.25X20	1		
4	278607989903	BRACE, FUEL PUMP	1		
5	278607989904	GASKET, FUEL PUMP	1		
6	278609999945	GEAR, FUEL PUMP	1		

CHASSIS TYPE: ALL



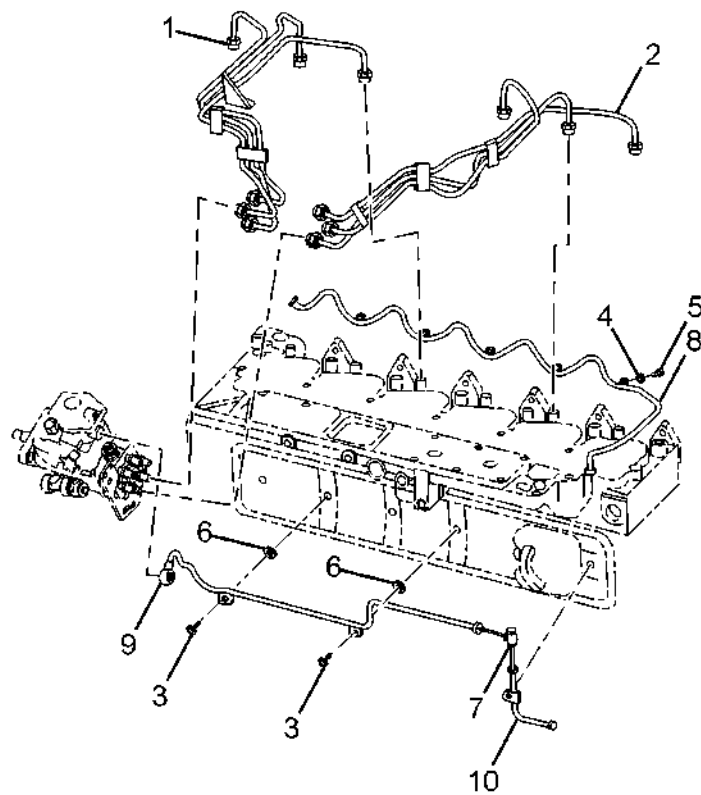
00.07.02		FUEL INJECTION PUMP		GROUP 07	
CHASSIS TYPE: ALL					
FIG. NO.	PART NUMBER	DESCRIPTION	QTY	REMARKS	
1	278620999947	SWITCH, THERMO	1		
2	278615999908	HARNESS, WIRING	1		
3	0460426330	PUMP, FUEL INJECTION (ROTARY)	1		

CHASSIS TYPE: ALL



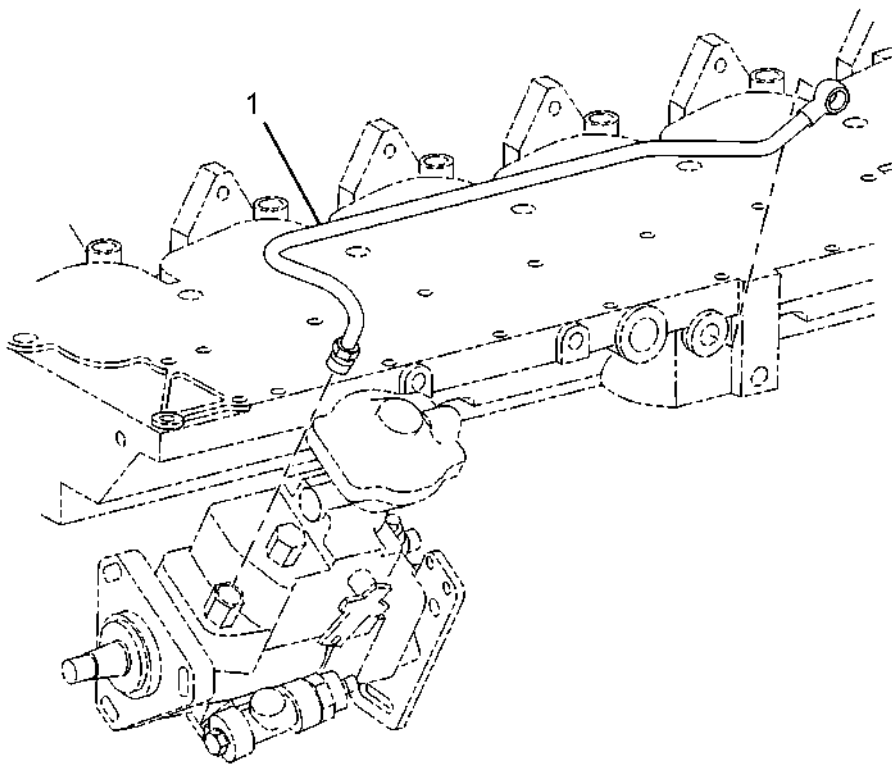
00.07.03		PUMP, FUEL TRANSFER		GROUP 07	
CHASSIS TYPE: ALL					
FIG. NO.	PART NUMBER	DESCRIPTION	QTY	REMARKS	
1	278613998002	SCREW, HEX. FLANGE M 8X1.25X25	2		
2	278607999908	SCREW, BANJO CONNECTOR M 12X1.5X24	1		
3	278607999924	WASHER, SEALING	2		
4	278607999917	GASKET, COVER PLATE	1		
5	F002A50023	PUMP FUEL TRANSFER	1		
6	278609999952	TUBE FUEL SUPPLY	1		

CHASSIS TYPE: ALL



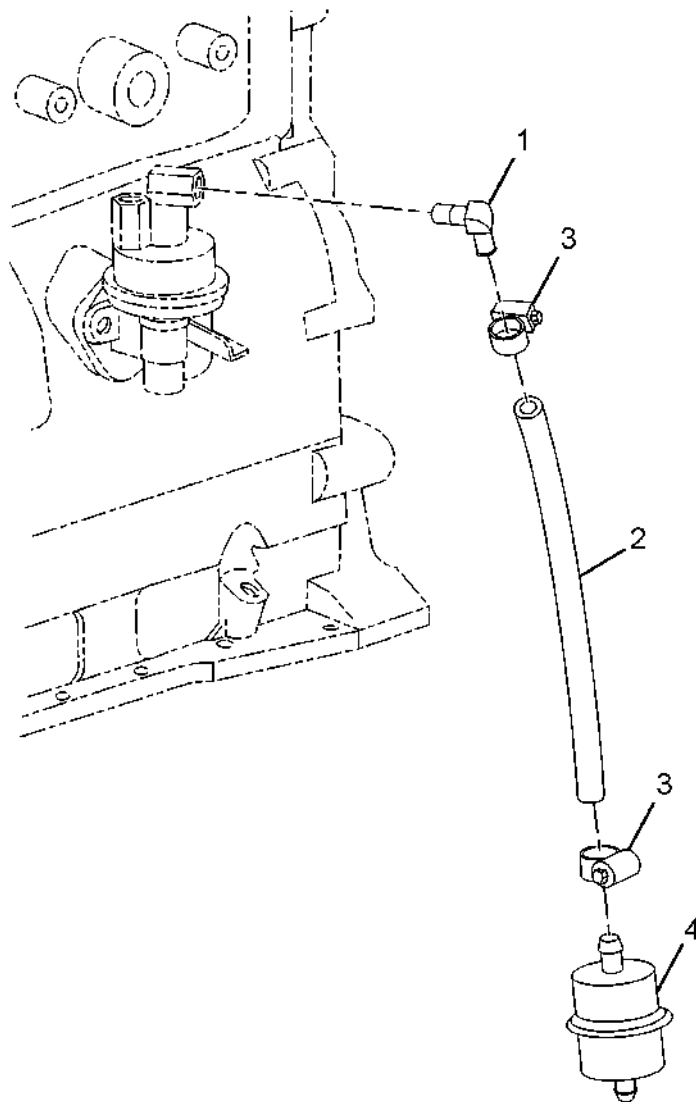
00.07.04		FUEL LINES		GROUP 07	
CHASSIS TYPE: ALL					
FIG. NO.	PART NUMBER	DESCRIPTION	QTY	REMARKS	
1	278607989901	TUBE INJECTOR FUEL SUPPLY	1	FOR 1ST, 2ND AND 3RD CYL.	
2	278607989902	TUBE INJECTOR FUEL SUPPLY	1	FOR 4TH, 5TH AND 6TH CYL.	
3	278613998001	SCREW HEX FLANGE M 8X1.25X20	2		
4	278607999909	SEAL BANJO CONNECTOR 6.2 MM	6		
5	278609999912	SCREW BANJO CONNECTOR M 6X1X14.3	6		
6	278605999904	SEAL GROMMET	2		
7	278607989908	TEE MALE UNION	1		
8	278614999943	MANIFOLD FUEL	1		
9	278609999948	TUBE FUEL DRAIN	1		
10	278609999949	TUBE FUEL DRAIN	1		

CHASSIS TYPE: ALL



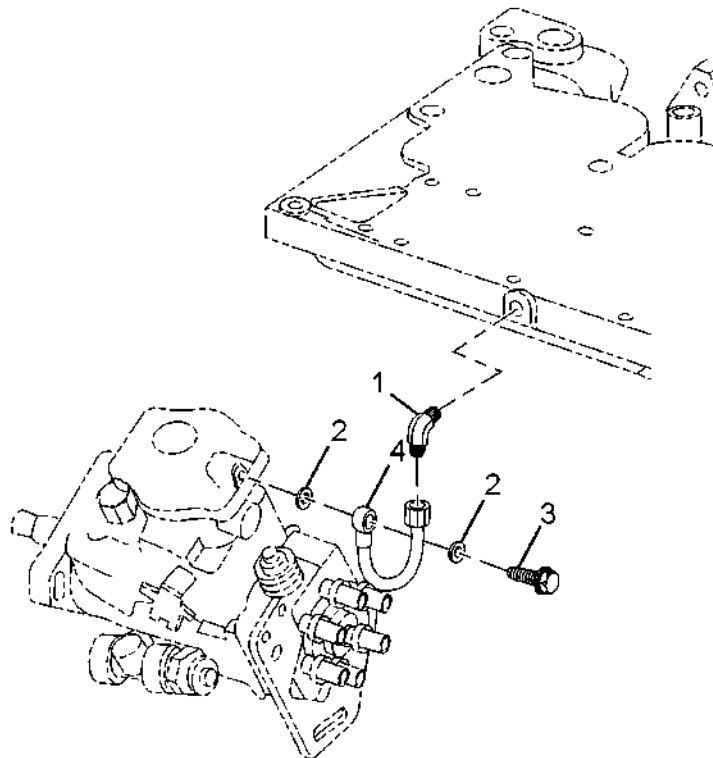
00.07.05		PLUMBING FUEL FILTER		GROUP 07	
CHASSIS TYPE: ALL					
FIG. NO.	PART NUMBER	DESCRIPTION	QTY	REMARKS	
1	278609999947	TUBE FUEL SUPPLY	1		

CHASSIS TYPE: ALL



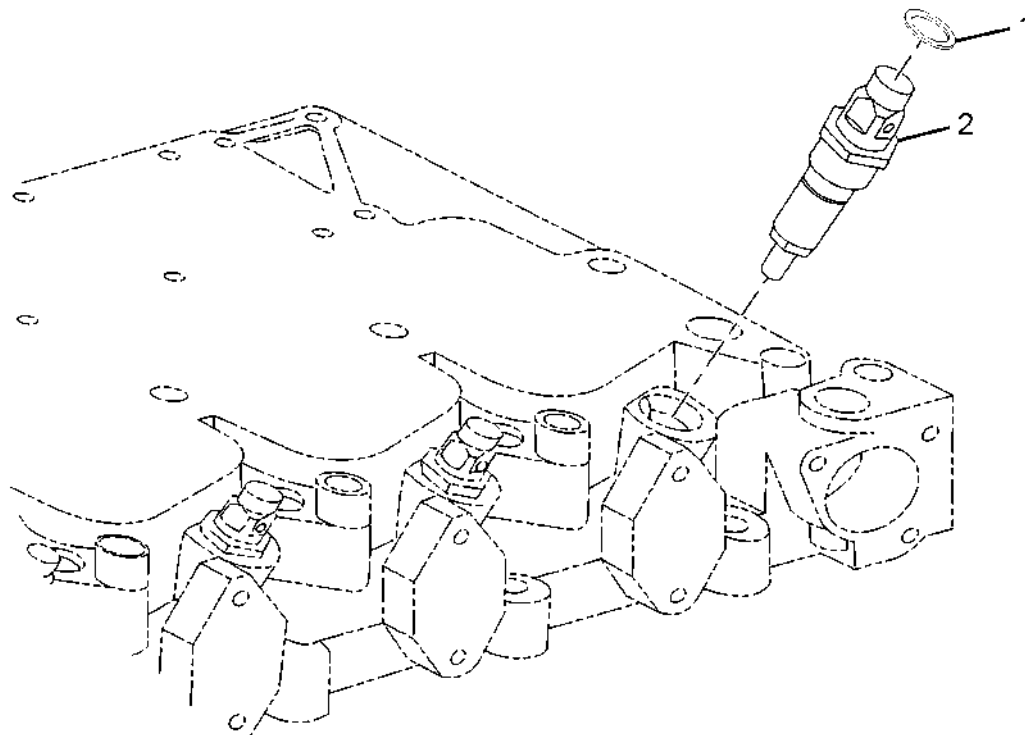
00.07.06		ACCESSORIES FUEL		GROUP 07	
CHASSIS TYPE: ALL					
FIG. NO.	PART NUMBER	DESCRIPTION	QTY	REMARKS	
1	278614999935	COUPLING, ELBOW HOSE	1		
2	278609999921	HOSE, PLAIN	1		
3	278609999922	CLAMP, HOSE	2		
4	278609999951	STRAINER, FUEL	1		

CHASSIS TYPE: ALL



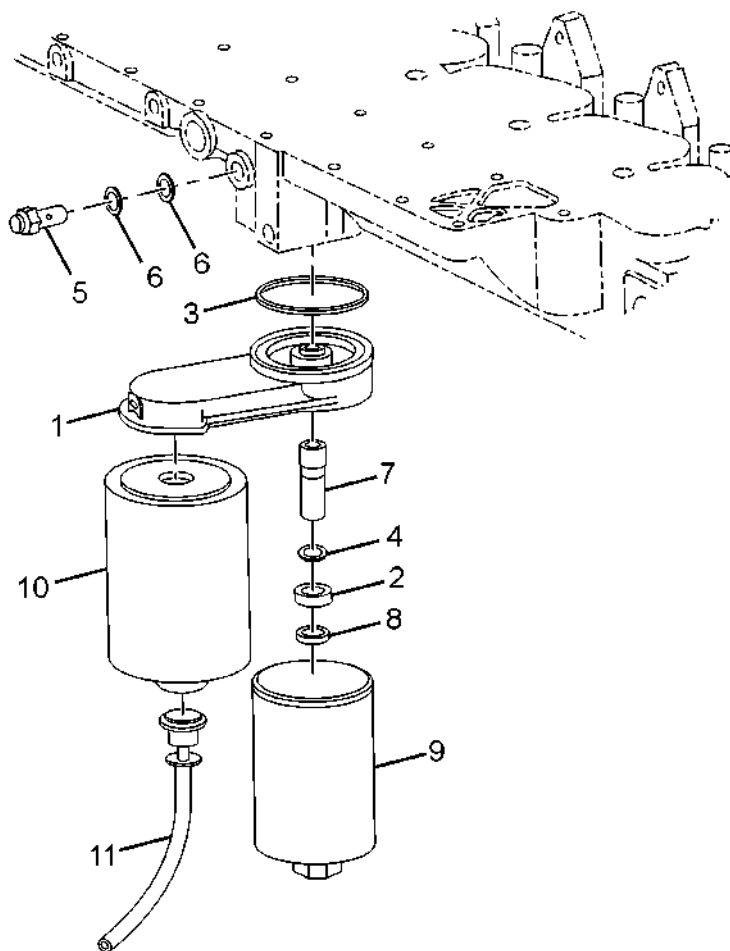
00.07.07		PLUMBING AIR FUEL		GROUP 07	
CHASSIS TYPE: ALL					
FIG. NO.	PART NUMBER	DESCRIPTION	QTY	REMARKS	
1	278609999938	ELBOW, MALE ADAPTER	1		
2	278607999922	WASHER, SEALING (8 MM)	2		
3	278607989905	SCREW, BANJO CONNECTOR (M 8X1.00X17)	1		
4	278609999946	TUBE, AIR FUEL CONTROL	1		

CHASSIS TYPE: ALL



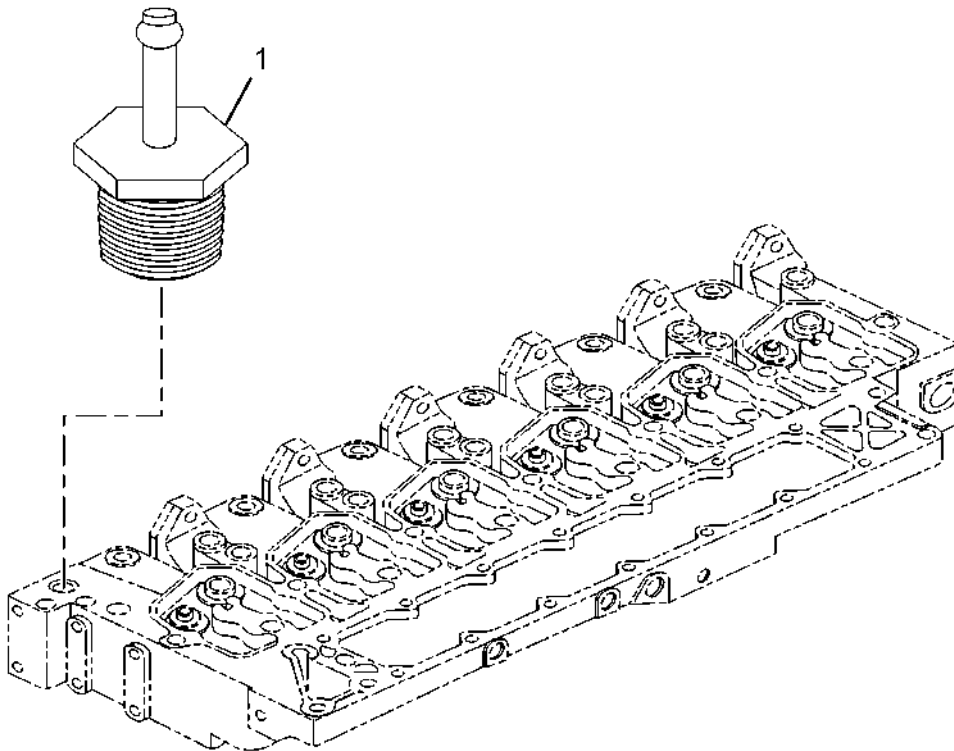
00.07.08		INJECTOR		GROUP 07	
CHASSIS TYPE: ALL					
FIG. NO.	PART NUMBER	DESCRIPTION	QTY	REMARKS	
1	278607999913	SEAL RECTANGULAR RING	6		
2	F002C8Z863	INJECTOR ASSY.	6		

CHASSIS TYPE: ALL



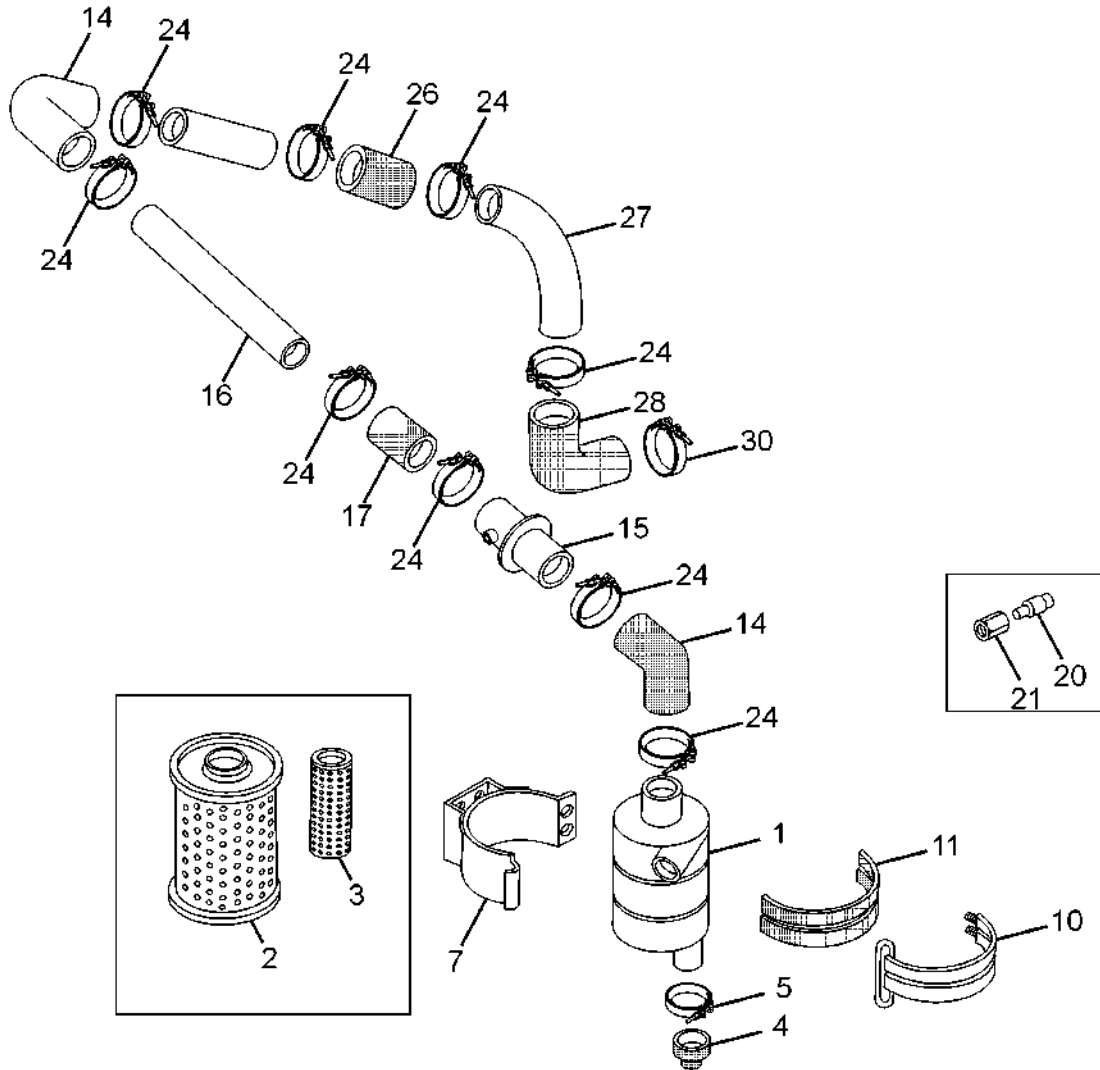
00.09.01		FUEL FILTER		GROUP 09	
CHASSIS TYPE: ALL					
FIG. NO.	PART NUMBER	DESCRIPTION	QTY	REMARKS	
1	278609999904	HEAD FUEL FILTER	1		
2	278609999902	NUT REGULAR HEX. M 6X1.5	1		
3	278607999910	SEAL 'O' RING (BIG)	1		
4	278607999911	SEAL 'O' RING (SMALL)	1		
5	278609999911	SCREW M 12X1.5X24	1		
6	278607999924	WASHER SEALING	2		
7	278609999903	ADAPTER FILTER HEAD	1		
8	278618999971	GASKET RECTANGULAR	1		
9	278609119904	FILTER FUEL	1		
10	278607989916	FUEL WATER SEPARATOR W/O VALVE	1		
	278607989915	DRAIN VALVE, WATER SEPARATOR	1		
11	278609999909	HOSE PLAIN	1		
	278609999910	CLAMP HOSE	1		

CHASSIS TYPE: ALL



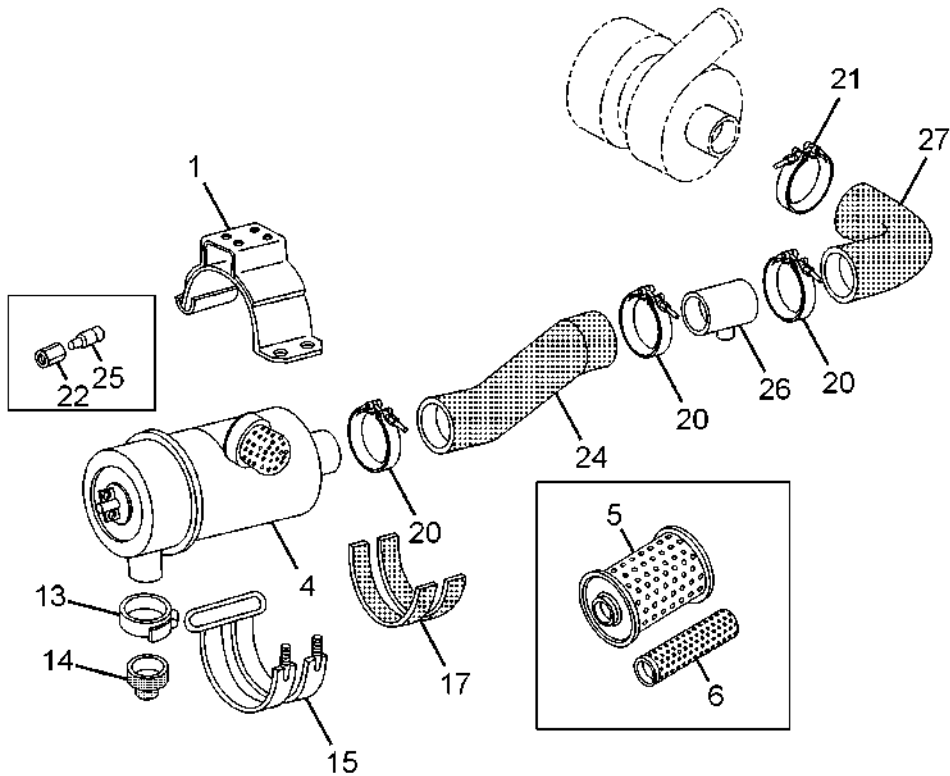
00.09.02		ENGINE VENT PLUMBING		GROUP 09	
CHASSIS TYPE: ALL					
FIG. NO.	PART NUMBER	DESCRIPTION	QTY	REMARKS	
1	278601999939	TEE HOSE CONNECTOR	1		

CHASSIS TYPE: 412073; 412081; 412073; 412052; 412074; 412080



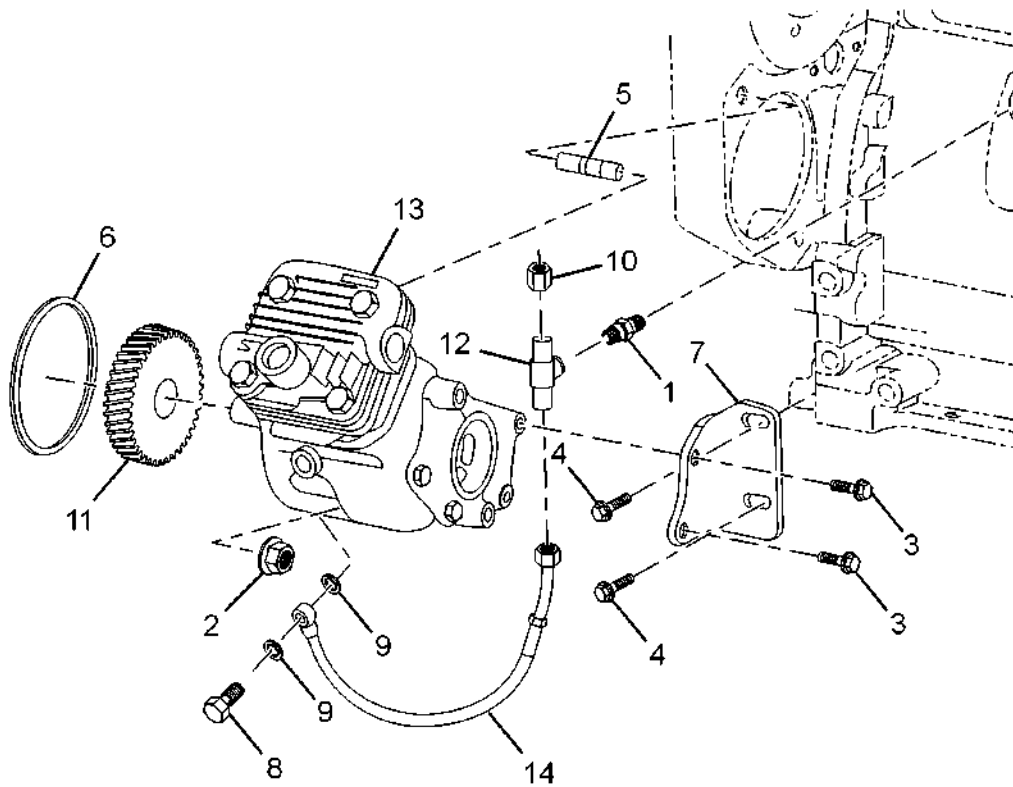
00.09.03		AIR FILTER(LP)		GROUP 09	
CHASSIS TYPE: 412073; 412081; 412073; 412052; 412074; 412080					
FIG. NO.	PART NUMBER	DESCRIPTION	QTY	REMARKS	
1	278609130197	ASSY. AIR FILTER	1		
2	278609139910	AIR FILTER ELEMENT PRIMARY	1		
3	278609139911	AIR FILTER ELEMENT SAFETY	1		
4	278609139912	DUST VALVE	1		
5	278609134211	CLAMP (VACUATOR VALVE)	1		
7	278609130162	ASSY. AIR FILTER MTG. BRACKET	1		
10	278509130101	ASSY. STRAP WITH SHACKLE	1		
11	278509139901	RUBBER STRAP	2		
14	278609135826	HOSE (102 ID X 120 X 120)	2		
15	278609130205	ASSY. PIPE WITH FLANGE	1		
16	278609136933	AIR INTAKE PIPE (102 OD X 515 LG)	1		
17	278509135801	HOSE (102 ID X 120 LG)	1		
20	254709139918	ASSY. SERVICE INDICATOR	1		
21	278609139918	ADAPTOR	1		
	278609134215	CLAMP	1		
24	14280598209	HOSE CLAMP TB 112	9		
-	278609136940	AL PIPE (101.6 O.D.X 380 LONG)	1		
26	278509135801	HOSE (102 ID X 120 LG)	1		
27	278609133855	AIR INTAKE PIPE (ON TC INLET)	1	FOR JSR PRODN. VEHICLE	
27	278609133872	AIR INTAKE PIPE	1	FOR PUNE	
28	278609135838	HOSE (102ID X 120 X 110)	1	FOR JSR PRODN. VEHICLE	
28	278609135853	COBRA TYPE HOSE	1	FOR PUNE	
30	14280598136	HOSE CLAMP TB 76	1		

CHASSIS TYPE: 412091; 412271; 412076



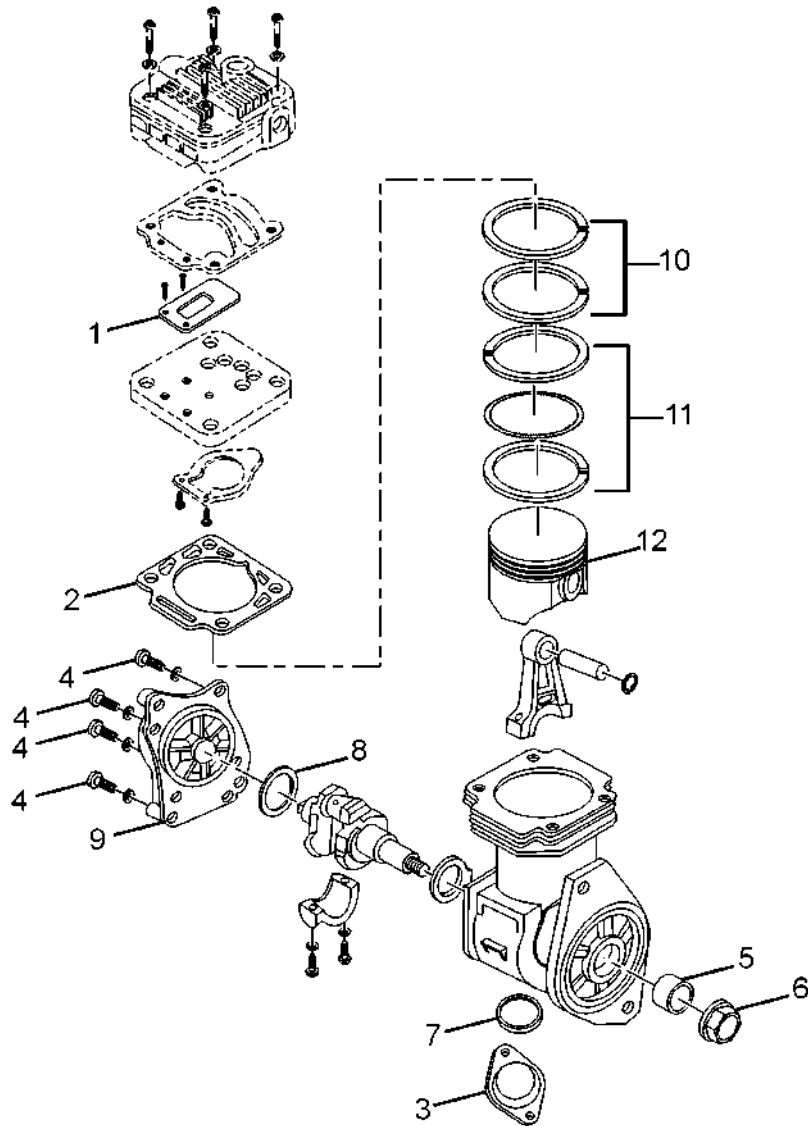
00.09.04		AIR FILTER(LPO)		GROUP 09	
CHASSIS TYPE: 412091; 412271; 412076					
FIG. NO.	PART NUMBER	DESCRIPTION	QTY	REMARKS	
1	207609130106	ASSY. AIR FILTER MTG. BRACKET	1		
4	207609130108	ASSY. AIR FILTER	1		
5	278609139910	AIR FILTER ELEMENT - PRIMARY	1		
6	278609139911	AIR FILTER ELEMENT - SAFETY	1		
13	278609134211	CLAMP (VACUATOR VALVE)	1		
14	278609139912	DUST VALVE	1		
15	278509130101	ASSY. STRAP WITH SHACKLE (COMPLETE)	1		
17	278509139901	RUBBER STRAP	1		
	207609130134	ASSY.PROTECTIVE COVER	1		
20	14280598209	HOSE CLAMP TB 112	3		
21	14280598187	HOSE CLAMP TB 84	1		
22	278609130181	ASSY. ADAPTER (FOR SERVICE INDICATOR)	1		
	278609130182	ASSY. ADAPTOR	1		
	254707144201	CLAMP (INJECTOR OVERFLOW TUBE)	2		
24	207609135811	RUBBER HOSE (AT AIR FILTER)	1		
25	254709139918	ASSY. SERVICE INDICATOR	1		
26	207609130136	ASSY. AIR INTAKE PIPE	1		
27	207609135807	RUBBER HOSE (AT TC INTAKE)	1		

CHASSIS TYPE: ALL



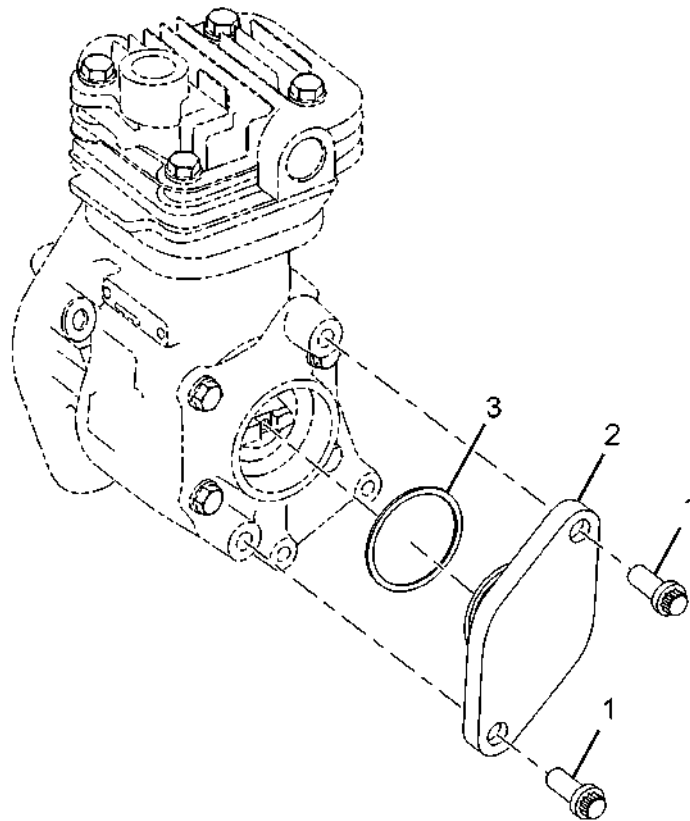
00.13.01		AIR COMPRESSOR		GROUP 13
CHASSIS TYPE: ALL				
FIG. NO.	PART NUMBER	DESCRIPTION	QTY	REMARKS
1	278622999906	NIPPLE, PLAIN HEXAGON	1	
2	278613996501	NUT, HEX FLANGE M 12 X 1.75	2	
3	278613998001	SCREW, HEX FLANGE M 8 X 1.25 X 20	2	
4	278613998002	SCREW, HEX FLANGE M 8 X 1.25 X 25	2	
5	278613998801	STUD M 12 X 1.75 X 50	2	
6	278613997701	SEAL, RECTANGULAR	1	
7	278613999907	BRACE, AIR COMPRESSOR	1	
8	278613998003	SCREW, BANJO CONNECTOR M 10 X 1.00 X 19	1	
9	278613999101	WASHER, SEALING	2	
10	278618999940	CAP, TUBE	1	
11	278613995401	GEAR, ACCESSORY DRIVE	1	
12	278607999929	TEE, FEMALE BRANCH	1	
13	278613999914	AIR COMPRESSOR (SMALL) SIDE PORT	1	
14	278621999907	HOSE, FLEXIBLE	1	

CHASSIS TYPE: ALL



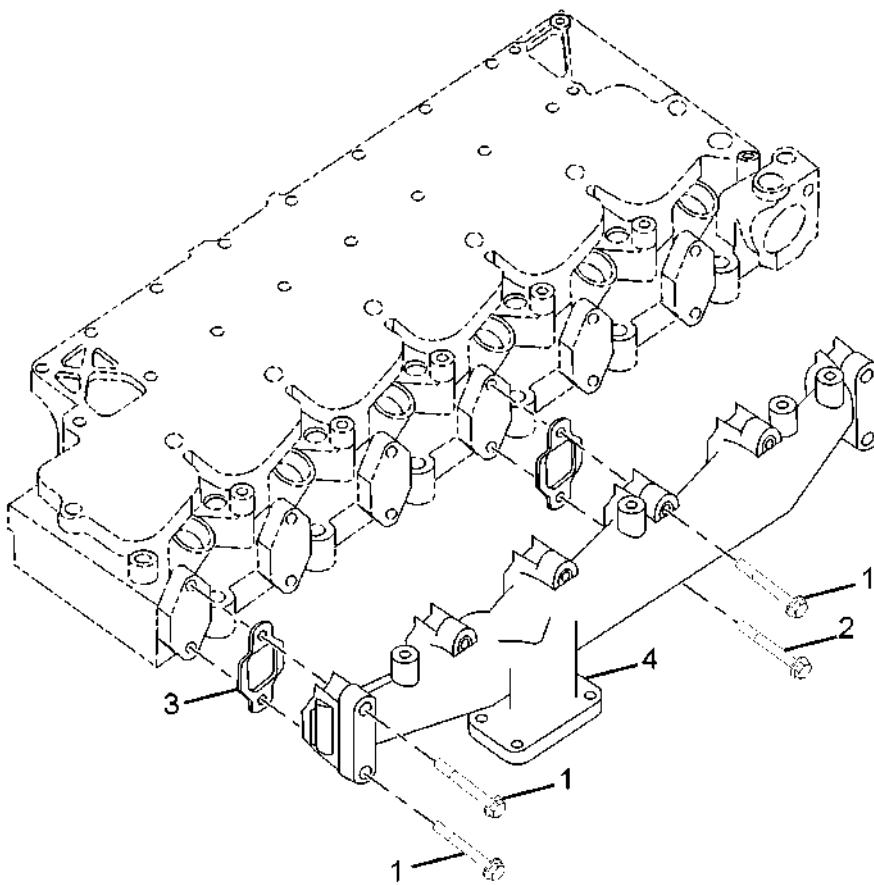
00.13.02		REPAIR KIT FOR AIR COMPRESSOR		GROUP 13
CHASSIS TYPE: ALL				
FIG. NO.	PART NUMBER	DESCRIPTION	QTY	REMARKS
	278613999916	GASKET KIT CYLINDER HEAD CONSISTS OF :	1	
1	-	DELIVERY REED	1	
2	-	DELIVERY JOINT	1	
	278613999917	MINOR REPAIR KIT AIR COMPRESSOR CONSISTS OF :	1	
1	-	DELIVERY REED	1	
2	-	DELIVERY JOINT	1	
3	-	COVER SUMP	1	
4	-	SET SCREW	4	
	278613999918	MAJOR REPAIR KIT AIR COMPRESSOR CONSISTS OF :	1	
1	-	DELIVERY REED	1	
2	-	DELIVERY JOINT	1	
3	-	COVER SUMP	1	
4	-	SET SCREW	4	
5	-	WRAPPED BUSH	1	
6	-	NUT CRANKSHAFT	1	
7	-	'O' RING	1	
8	-	SEALING RING	1	
9	-	END COVER	1	
	278613999919	REPAIR KIT PISTON ASSY. CONSISTS OF :	1	
10	-	COMPRESSION RING	2	
11	-	OIL CONTROL RING	1	
12	-	PISTON	1	
	278613999920	REPAIR KIT PISTON RING CONSISTS OF :	1	
10	-	COMPRESSION RING	2	
11	-	OIL CONTROL RING	1	

CHASSIS TYPE: ALL



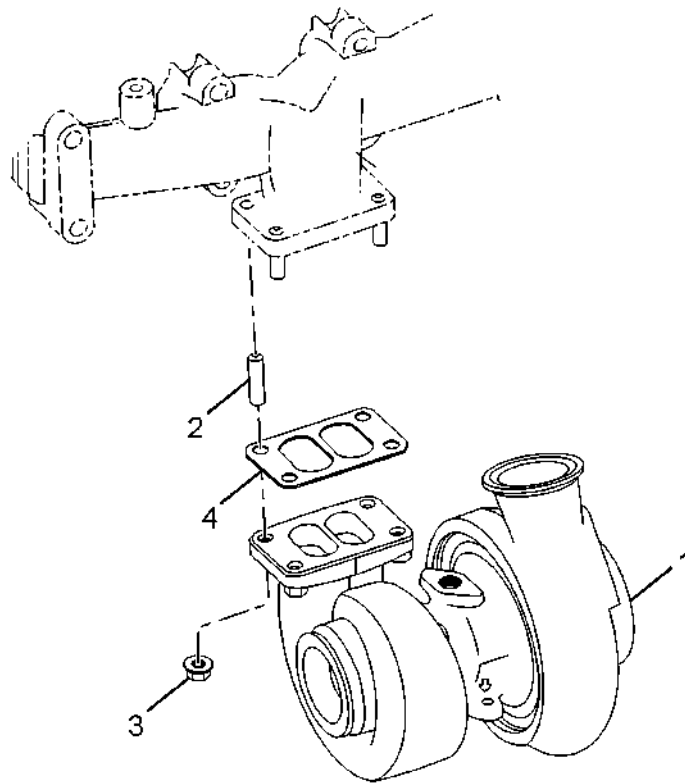
00.13.03		COVER AIR COMPRESSOR		GROUP 13	
CHASSIS TYPE: ALL					
FIG. NO.	PART NUMBER	DESCRIPTION	QTY	REMARKS	
1	278607999994	SCREW TWELVE POINT M 10X1.5X25	2		
2	278613999906	COVER AIR COMPRESSOR	1		
3	278603999951	SEAL O RING	1		

CHASSIS TYPE: ALL



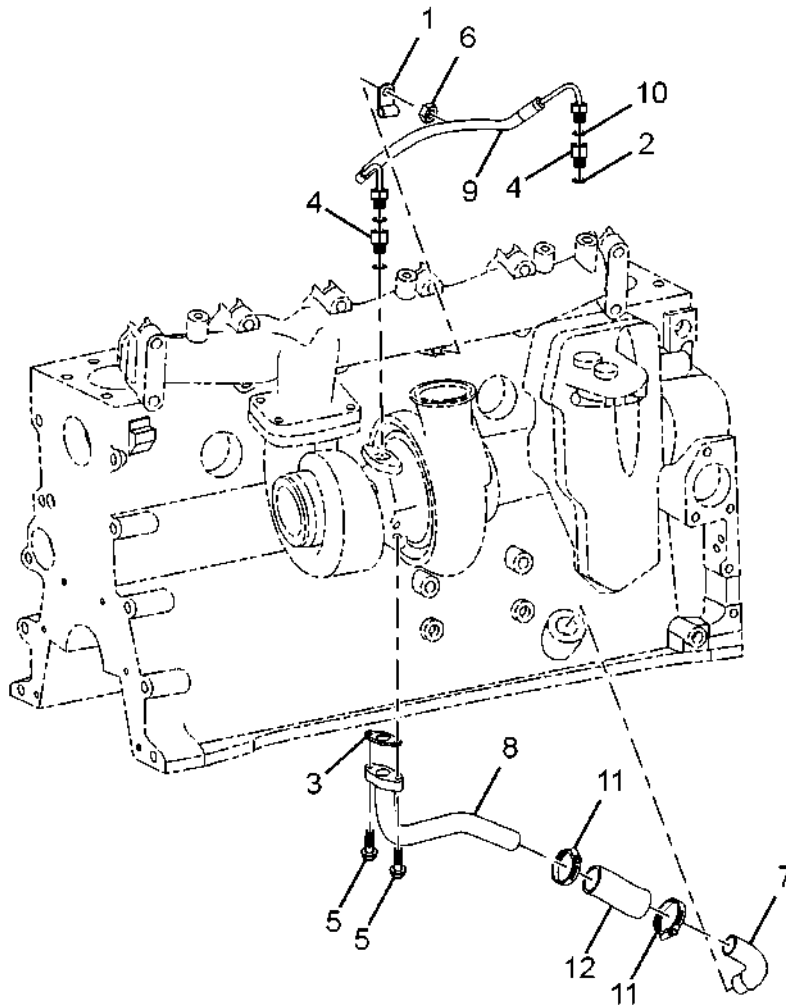
00.14.01		EXHAUST MANIFOLD AND MOUNTING		GROUP 14	
CHASSIS TYPE: ALL					
FIG. NO.	PART NUMBER	DESCRIPTION	QTY	REMARKS	
1	278620999904	SCREW HEX. FLAT HEAD CAP M 10X1.5X65	11		
2	278614999918	SCREW HEX. FLANGE HEAD CAP	1		
3	278614999915	GASKET, EXHAUST MANIFOLD	6		
4	278614999930	MANIFOLD, EXHAUST	1		

CHASSIS TYPE: ALL



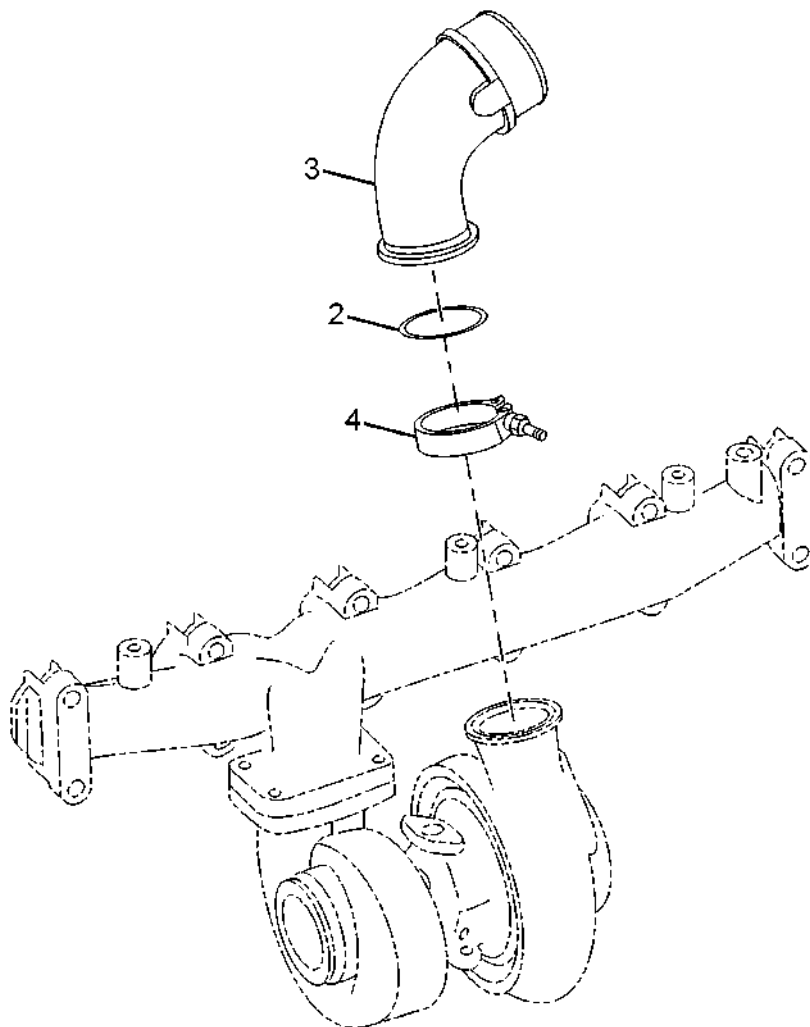
00.14.02		TURBOCHARGER		GROUP 14	
CHASSIS TYPE: ALL					
FIG. NO.	PART NUMBER	DESCRIPTION	QTY	REMARKS	
1	278614999937	TURBOCHARGER	1		
2	278614999904	STUD M 10X1.5X42	4		
3	278614999905	NUT HEX. FLANGE M 10X1.50	4		
4	278614999902	GASKET TURBOCHARGER	1		
	278614999931	CLAMP V-BAND(EXH.OUTLET CONNECTION)	1		

CHASSIS TYPE: ALL



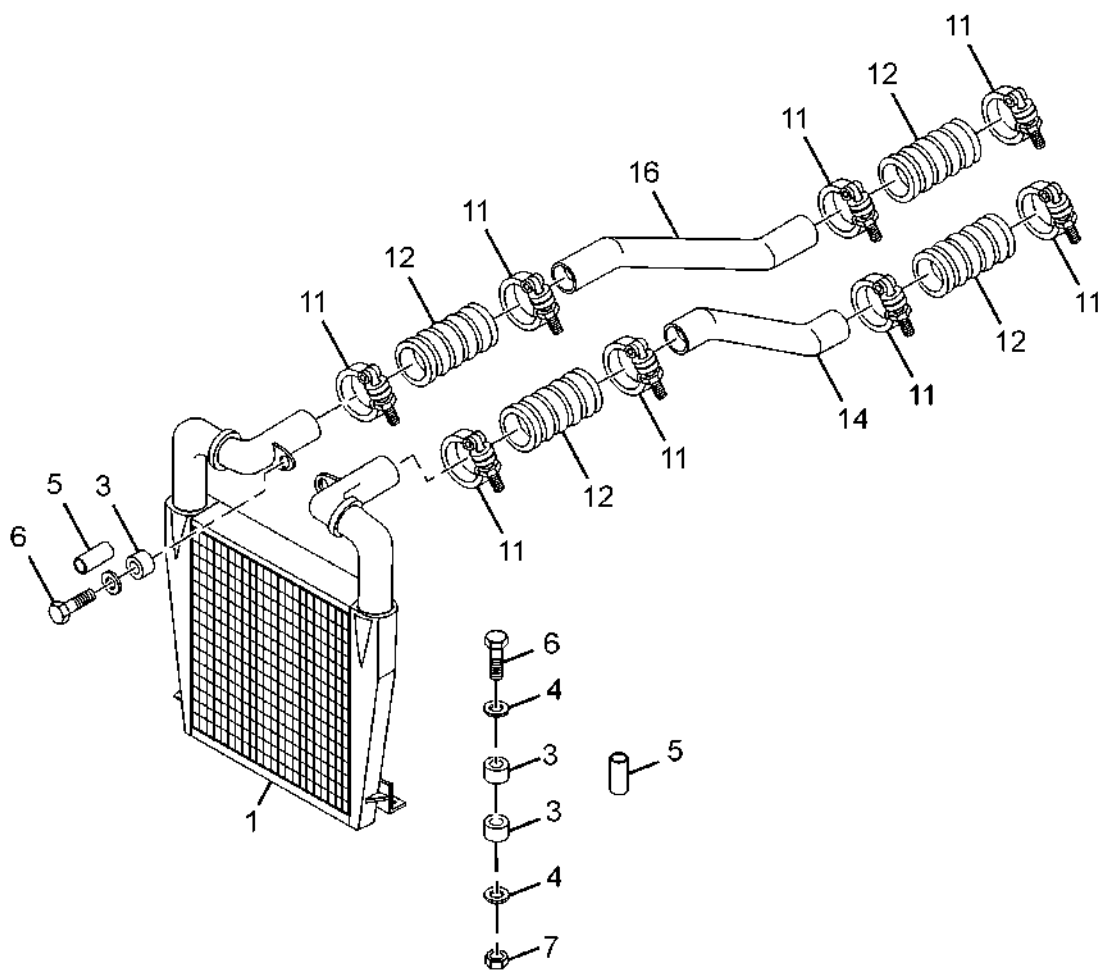
00.14.03		TURBOCHARGER PLUMBING		GROUP 14	
CHASSIS TYPE: ALL					
FIG. NO.	PART NUMBER	DESCRIPTION	QTY	REMARKS	
1	278614999927	CLAMP,TUBE	1		
2	278614999920	SEAL, 'O' RING	2		
3	278614999903	GASKET, OIL DRAIN	1		
4	278615999907	CONNECTOR, FEMALE	2		
5	278613998001	SCREW, HEX. FLANGE M 8X1.25X20	2		
6	278607999907	NUT, HEX. FLANGE M 10X1.50	1		
7	278618999950	TUBE, TURBO OIL DRAIN	1		
8	278614999933	CONNECTION, TURBO OIL DRAIN	1		
9	278620999929	HOSE, FLEXIBLE	1		
10	278614999926	WASHER, SEALING (7.2 MM THK.)	2		
11	278607999967	CLAMP, HOSE	2		
12	278601999946	HOSE, PLAIN	1		

CHASSIS TYPE: ALL



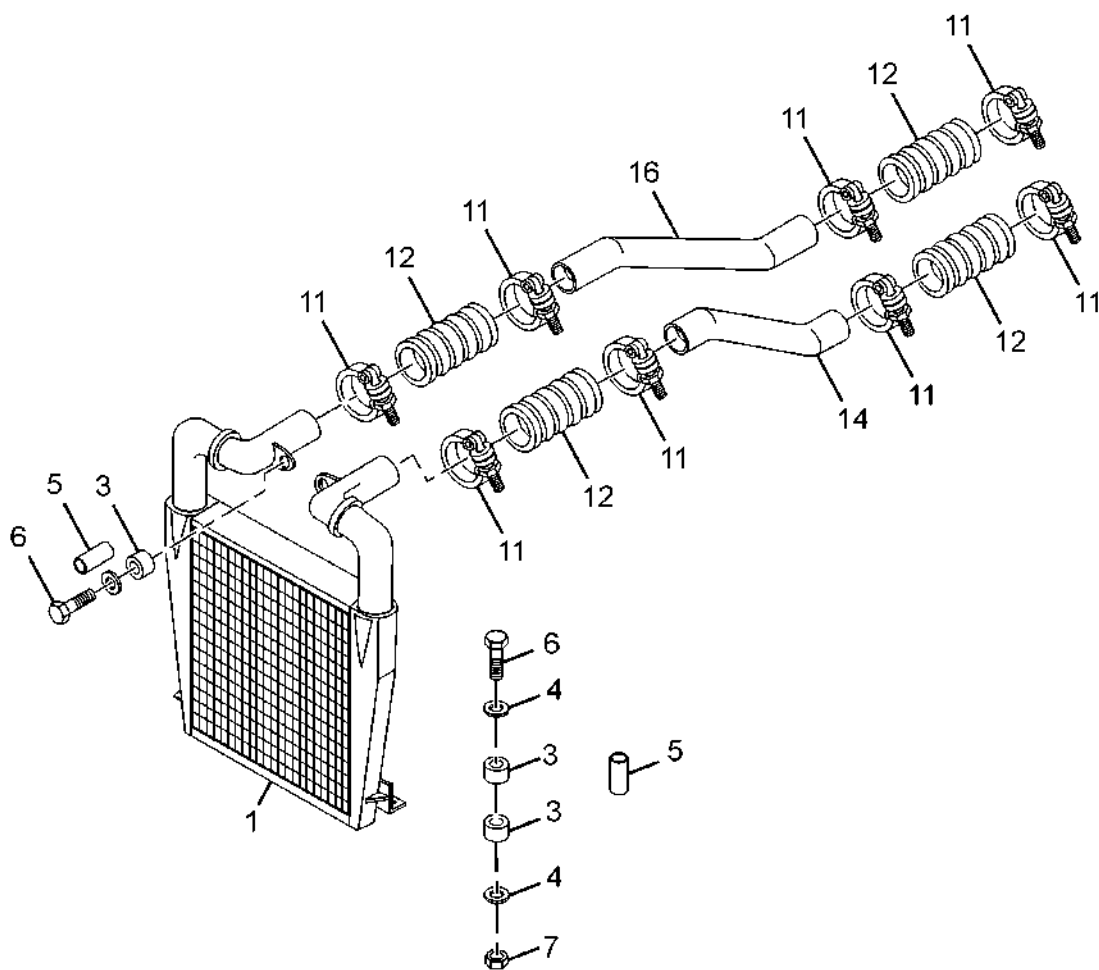
00.14.04		CONNECTION AIR INTAKE		GROUP 14	
CHASSIS TYPE: ALL					
FIG. NO.	PART NUMBER	DESCRIPTION	QTY	REMARKS	
2	278605999942	SEAL, O RING	1		
3	278601999957	PIPE, AIR TRANSFER	1		
4	278614999942	CLAMP, V BAND	1		

CHASSIS TYPE: 412073; 412081; 412073; 412052; 412074; 412080



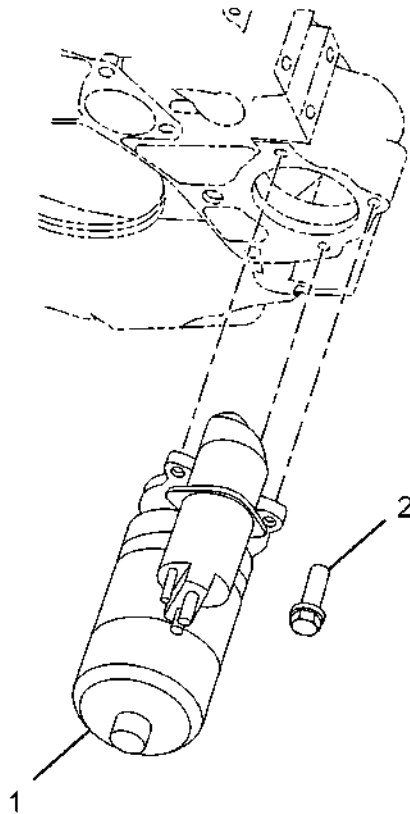
00.14.05A		INTERCOOLER AND INTERCOOLER CONNECTION		GROUP 14
CHASSIS TYPE: 412073; 412081; 412073; 412052; 412074; 412080				
FIG. NO.	PART NUMBER	DESCRIPTION	QTY	REMARKS
1	278614609911	INTERCOOLER	1	
3	278614607501	RUBBER BUFFER	4	
4	278614609201	WASHER	2	
5	257450006906	SPACER TUBE (25.5 MM LONG)	2	
6	11063896057	HEX BOLT M 10X 60 IS 1364 P1	2	
7	12140501008	NYLOC NUT M 10 IS 7002	2	
		INTERCOOLER CONNECTION		
11	14280599272	HOSE CLAMP SLTB - 72	8	
12	278614605802	HOSE HUMP	4	
14	278614603821	CAST PIPE (ON ENG INLET)	1	
16	278614606906	EXTRUDED PIPE(TC TO IC)	1	

CHASSIS TYPE: 412091; 412271; 412076



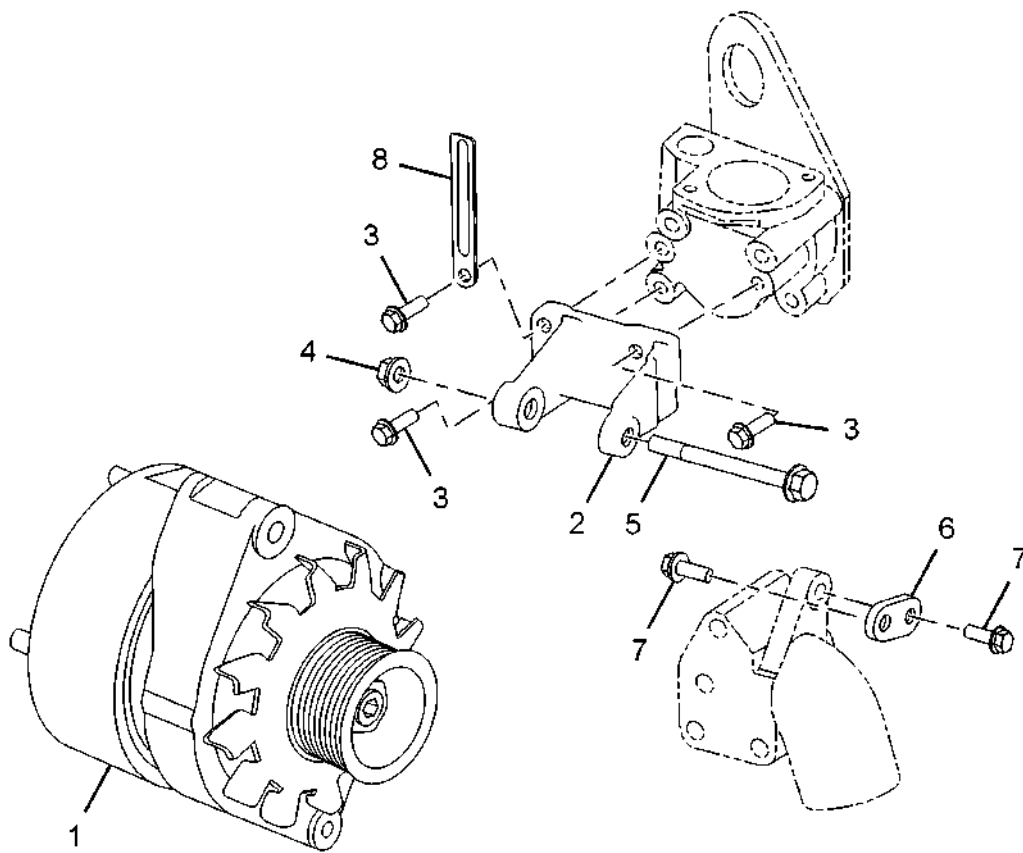
00.14.05B		INTERCOOLER AND INTERCOOLER CONNECTION		GROUP 14
CHASSIS TYPE: 412091; 412271; 412076				
FIG. NO.	PART NUMBER	DESCRIPTION	QTY	REMARKS
1	207614609909	INTERCOOLER	1	
3	278614607501	RUBBER BUFFER	4	
4	278614609201	WASHER	2	
5	257450006906	SPACER TUBE (25.5 MM LONG)	2	
6	11063896057	HEX BOLT M 10X 60 IS 1364 P1	2	
7	12140501008	NYLOC NUT M 10 IS 7002	2	
		INTERCOOLER CONNECTION		
11	14280599272	HOSE CLAMP SLTB - 72	8	
12	278614605802	HOSE HUMP	4	
14	278614603806	PIPE (IC TO INTAKE MANIFOLD)	1	
16	207614603807	BENT PIPE (TC TO I/C)	1	

CHASSIS TYPE: ALL



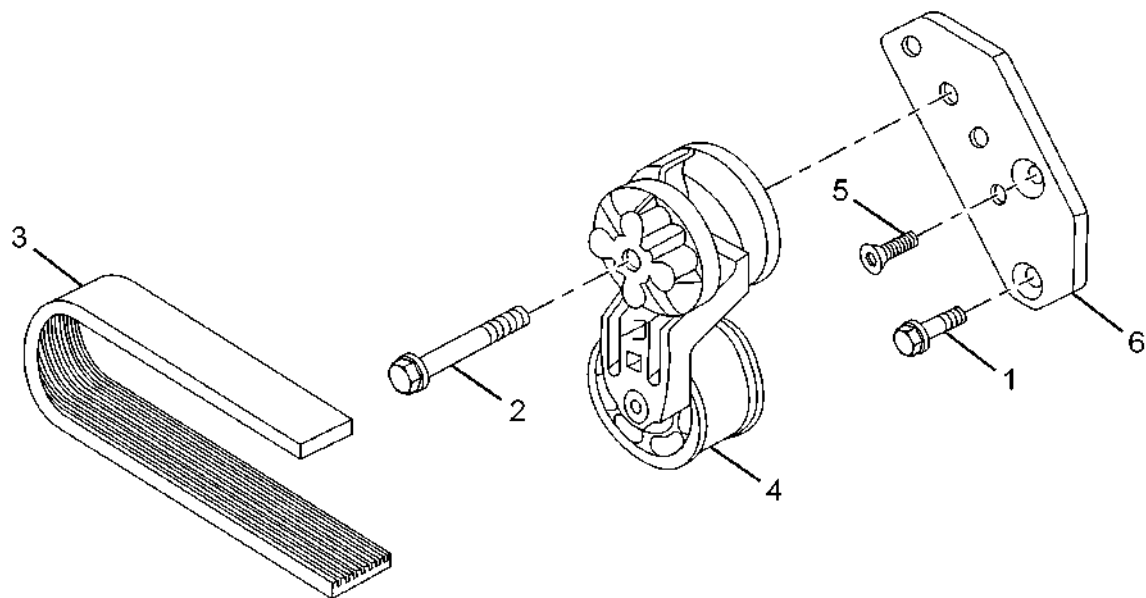
00.15.01		STARTER MOTOR		GROUP 15	
CHASSIS TYPE: ALL					
FIG. NO.	PART NUMBER	DESCRIPTION	QTY	REMARKS	
1	278615999966	STARTER MOTOR 24 VOLTS	1		
2	278605999936	SCREW TWELVE POINT CAP M10X1.5X35	3		

CHASSIS TYPE: ALL



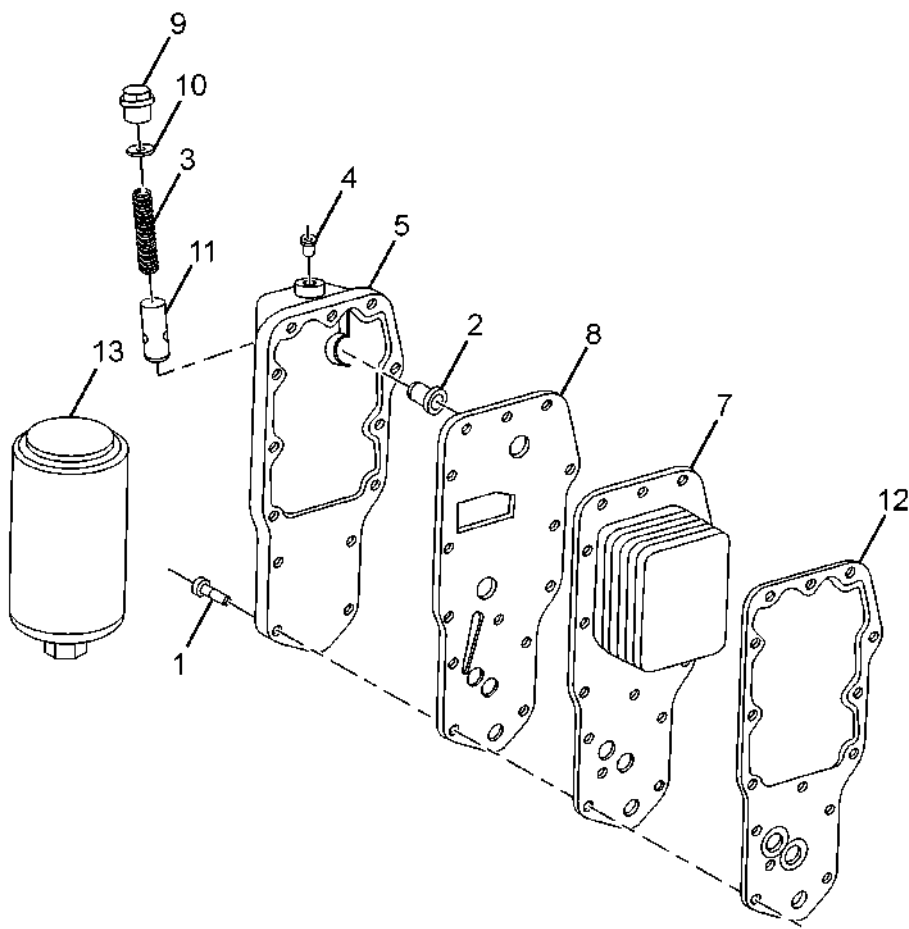
00.15.02		ALTERNATOR AND ALTERNATOR LOCATION		GROUP 15
CHASSIS TYPE: ALL				
FIG. NO.	PART NUMBER	DESCRIPTION	QTY	REMARKS
1	278615999906	ALTERNATOR 24 VOLTS,45 AMPS ALTERNATOR LOCATION	1	
2	278615999967	SUPPORT, ALTERNATOR	1	
3	278613998002	SCREW, HEX FLANGE M 8X1.25X25	3	
4	278607999907	NUT HEX FLANGE M 10X1.5	1	
5	278615998001	SCREW, HEX. HEAD FLANGE CAP M 10X1.5X95	1	
6	278615993302	BRACE, ALTERNATOR	1	
7	278613998001	SCREW, HEX FLANGE M 18X1.25X20	2	
8	278605999956	CLAMP	1	

CHASSIS TYPE: ALL



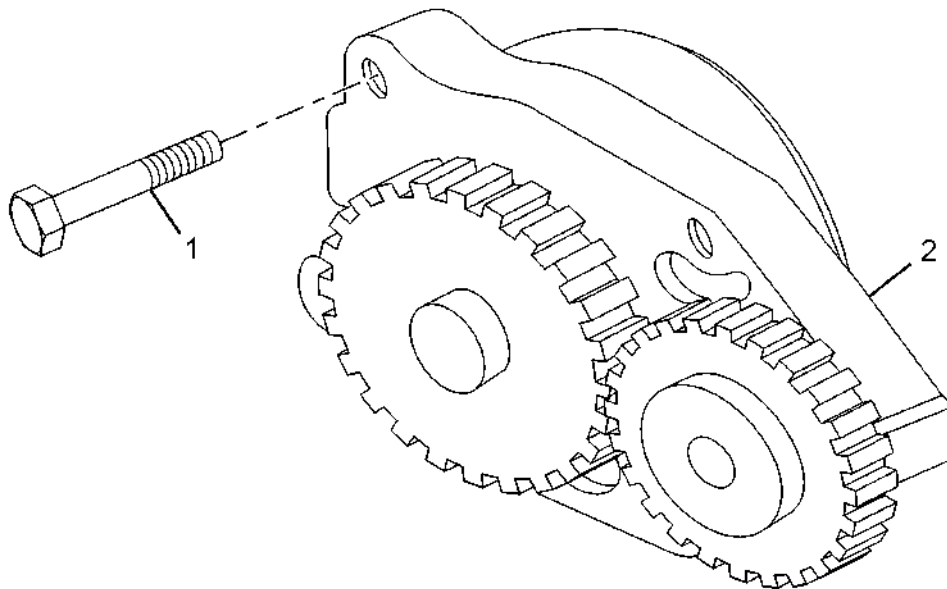
00.15.03		ALTERNATOR MOUNTING		GROUP 15	
CHASSIS TYPE: ALL					
FIG. NO.	PART NUMBER	DESCRIPTION	QTY	REMARKS	
1	278613998002	SCREW HEX. FLANGE HEAD CAP M 8X1.25X25	1		
2	278615998002	SCREW FLAT HD. CAP M10X1.5X72.5	1		
3	278615996302	BELT V. RIBBED	1		
4	278615999902	TENSIONER BELT	1		
5	278615998003	SCREW FLAT HEAD M 8X1.25X25	1		
6	278615993303	BRACKET BELT TENSIONER	1		

CHASSIS TYPE: ALL



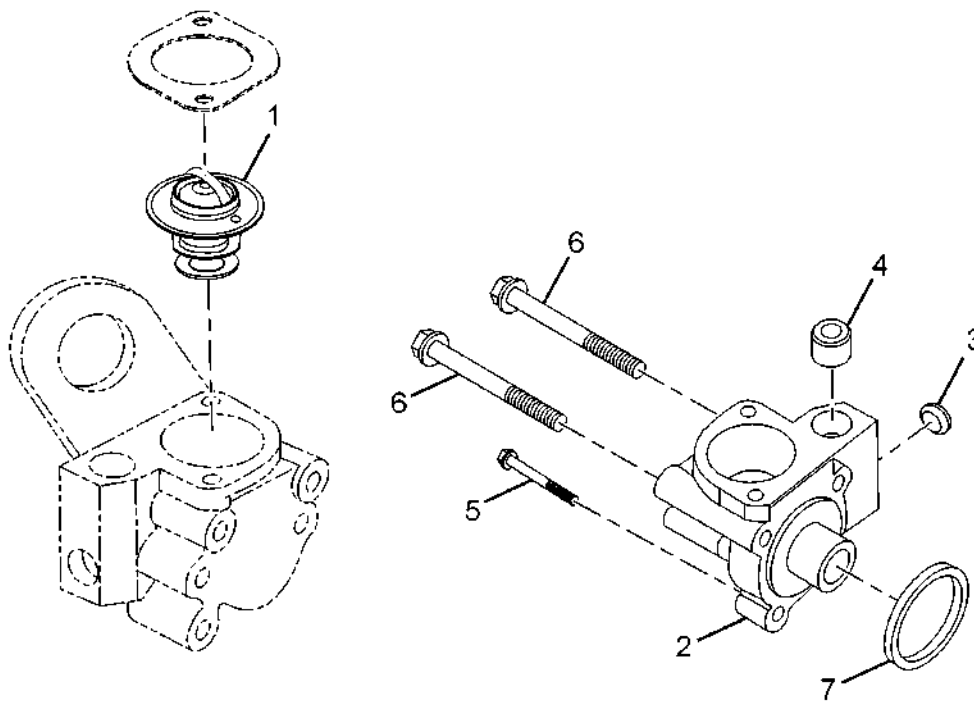
00.18.01		LUBRICATING OIL COOLER/OIL FILTER		GROUP 18
CHASSIS TYPE: ALL				
FIG. NO.	PART NUMBER	DESCRIPTION	QTY	REMARKS
1	278607999906	SCREW HEX. HEAD CAP M 8X1.25X35	14	
2	278618999949	VALVE BYPASS	1	
3	278618999902	SPRING COMPRESSION	1	
4	278601999913	PLUG PIPE	1	
5	278618999903	HEAD LUB. OIL FILTER WITH ADAPTER	1	
7	278618999905	CORE COOLER	1	
8	278618999906	GASKET FILTER HEAD	1	
9	278618999907	PLUG THREADED	1	
10	278618999908	SEAL 'O' RING	1	
11	278618999909	PLUNGER PRESSURE REGULATOR	1	
12	278618999910	GASKET LUB. COOLER	1	
13	278618139902	CARTRIDGE LUB. OIL FILTER	1	

CHASSIS TYPE: ALL



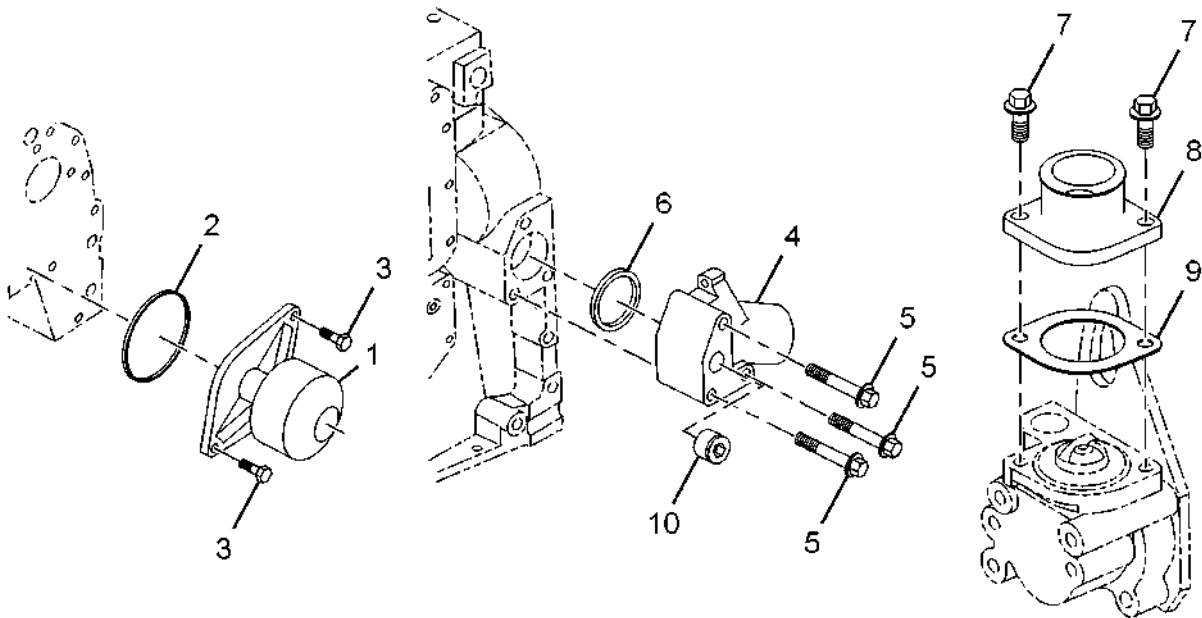
00.18.02		OIL PUMP		GROUP 18	
CHASSIS TYPE: ALL					
FIG. NO.	PART NUMBER	DESCRIPTION	QTY	REMARKS	
1	278618999913	SCREW HEX. HEAD CAP M 8X1.25X30	4		
2	278618999933	PUMP LUBRICATING OIL	1		

CHASSIS TYPE: ALL



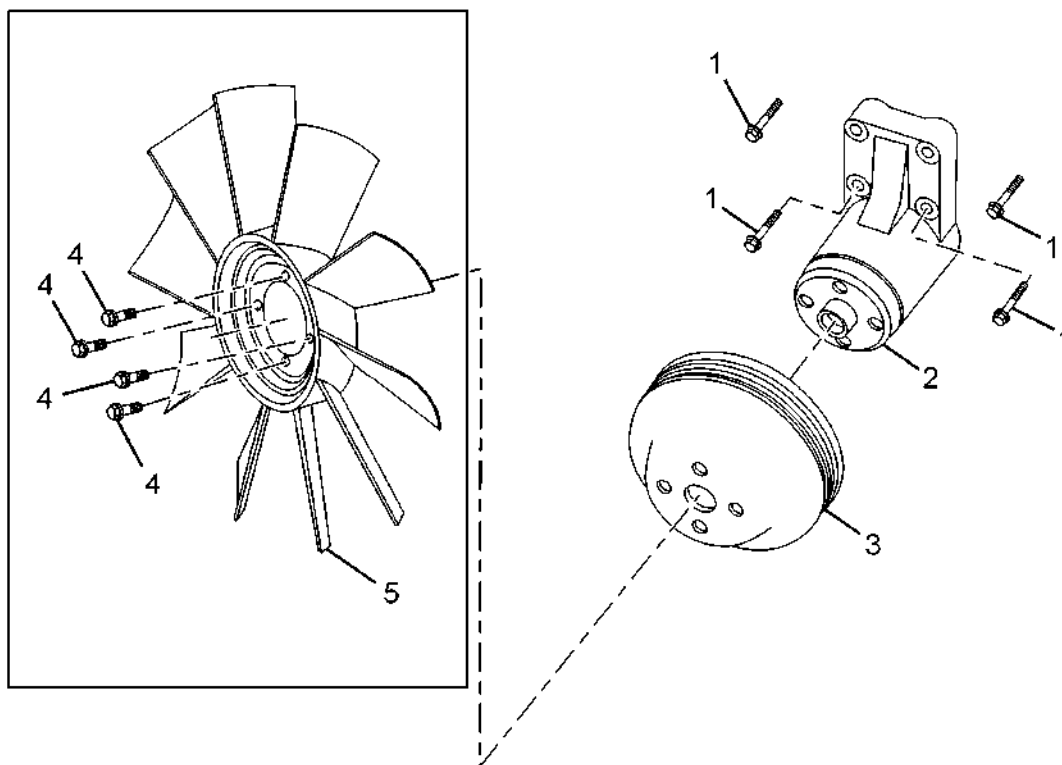
00.20.01		THERMOSTAT		GROUP 20	
CHASSIS TYPE: ALL					
FIG. NO.	PART NUMBER	DESCRIPTION	QTY	REMARKS	
1	278620999925	THERMOSTAT	1		
2	278620999908	HOUSING THERMOSTAT	1		
3	278601999907	PLUG EXPANSION	1		
4	278601999945	PLUG PIPE	1		
5	278620999901	SCREW HEX. FLANGE HEAD CAP M 8X1.25X40	1		
6	278620999909	SCREW HEX. FLANGE HEAD CAP M 8X1.25X90	2		
7	278620999910	SEAL RECTANGULAR RING	1		

CHASSIS TYPE: ALL



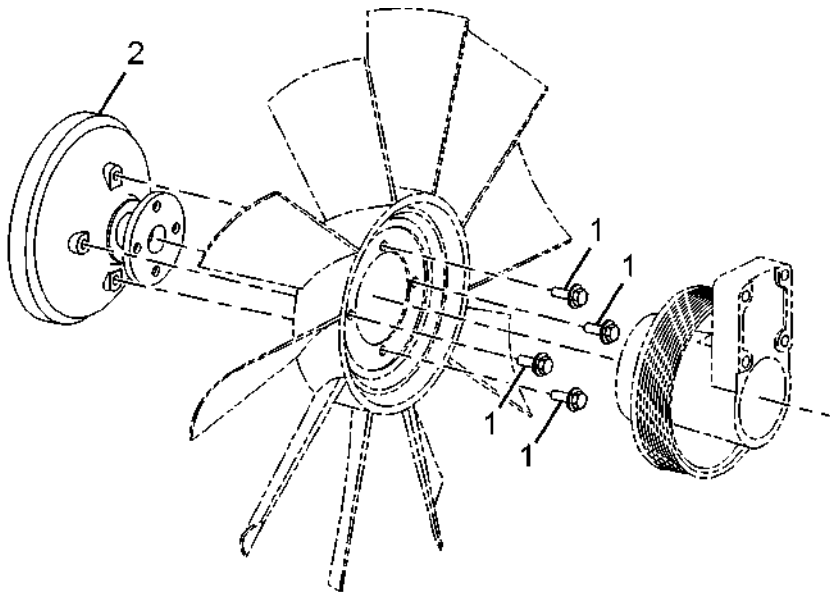
00.20.02		WATER PUMP		GROUP 20	
CHASSIS TYPE: ALL					
FIG. NO.	PART NUMBER	DESCRIPTION	QTY	REMARKS	
1	278620999959	PUMP WATER	1		
2	278607999979	SEAL RECTANGULAR RING	1		
3	278605999911	SCREW HEX. HEAD CAP M 8X1.25X22	2		
		WATER INLET CONNECTION			
4	278620999919	CONNECTION WATER INLET	1		
5	278620999920	SCREW HEX. FLANGE HEAD CAP M 10X1.5X75	3		
6	278620999910	SEAL RECTANGULAR RING	1		
		WATER OUTLET CONNECTION			
7	278613998001	SCREW HEX. FLANGE HEAD CAP M 8X1.25X20	2		
8	278620999921	CONNECTION WATER OUTLET	1		
9	278620999922	GASKET CONNECTION	1		
10	278601999945	PLUG PIPE	2		
		REPAIR KIT			
	278620990103	REPAIR KIT WATER PUMP CONSISTING OF :	1		
	-	SEAL KIT	1		
	-	IMPELLER	1		

CHASSIS TYPE: ALL



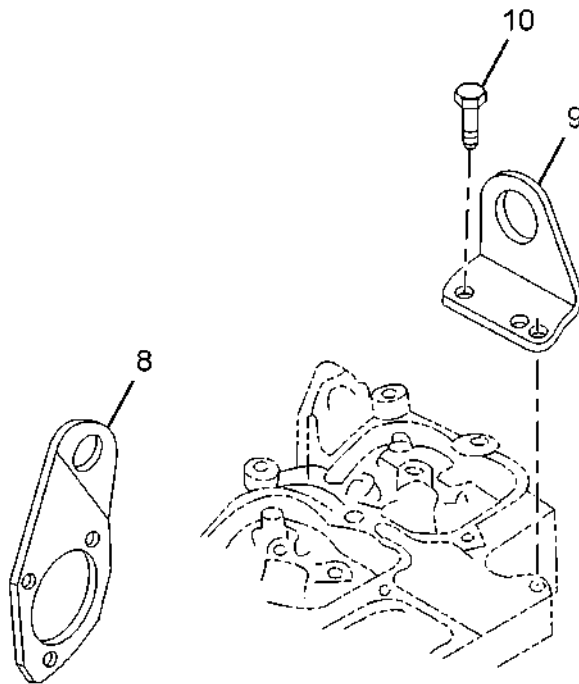
00.20.03		FAN AND FAN DRIVE		GROUP 20	
CHASSIS TYPE: ALL					
FIG. NO.	PART NUMBER	DESCRIPTION	QTY	REMARKS	
1	278620999901	SCREW H.F.H.C. M8X1.25X40	4		
2	278620999902	SUPPORT FAN	1		
3	278620999968	PULLEY FAN	1		
4	278607999912	SCREW H.F.H.C. M10X1.5X20	4		
5	278620999956	FAN (VISCOUS)	1		

CHASSIS TYPE: ALL



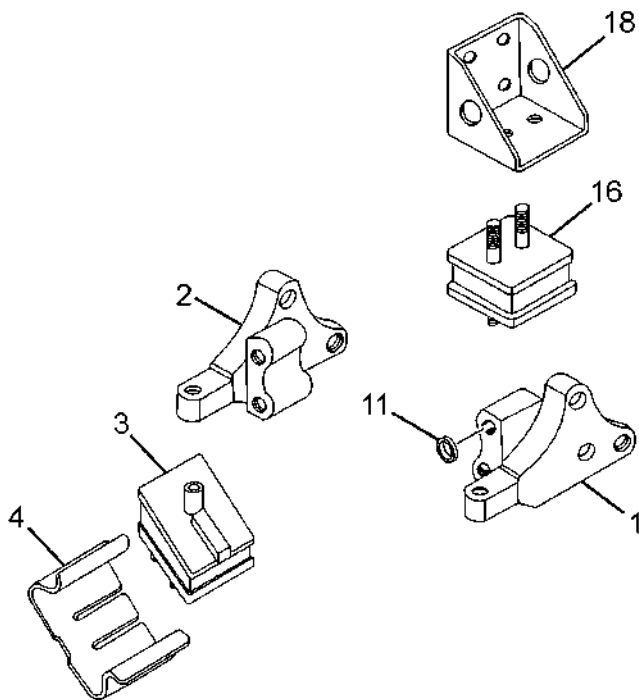
00.20.04		CLUTCH VISCOUS FAN		GROUP 20	
CHASSIS TYPE: ALL					
FIG. NO.	PART NUMBER	DESCRIPTION	QTY	REMARKS	
1	278605999905	SCREW, HEX. FLANGE HEAD CAP M 8X1.25X16	4		
2	278620999937	CLUTCH,VISCOUS FAN	1		

CHASSIS TYPE: ALL



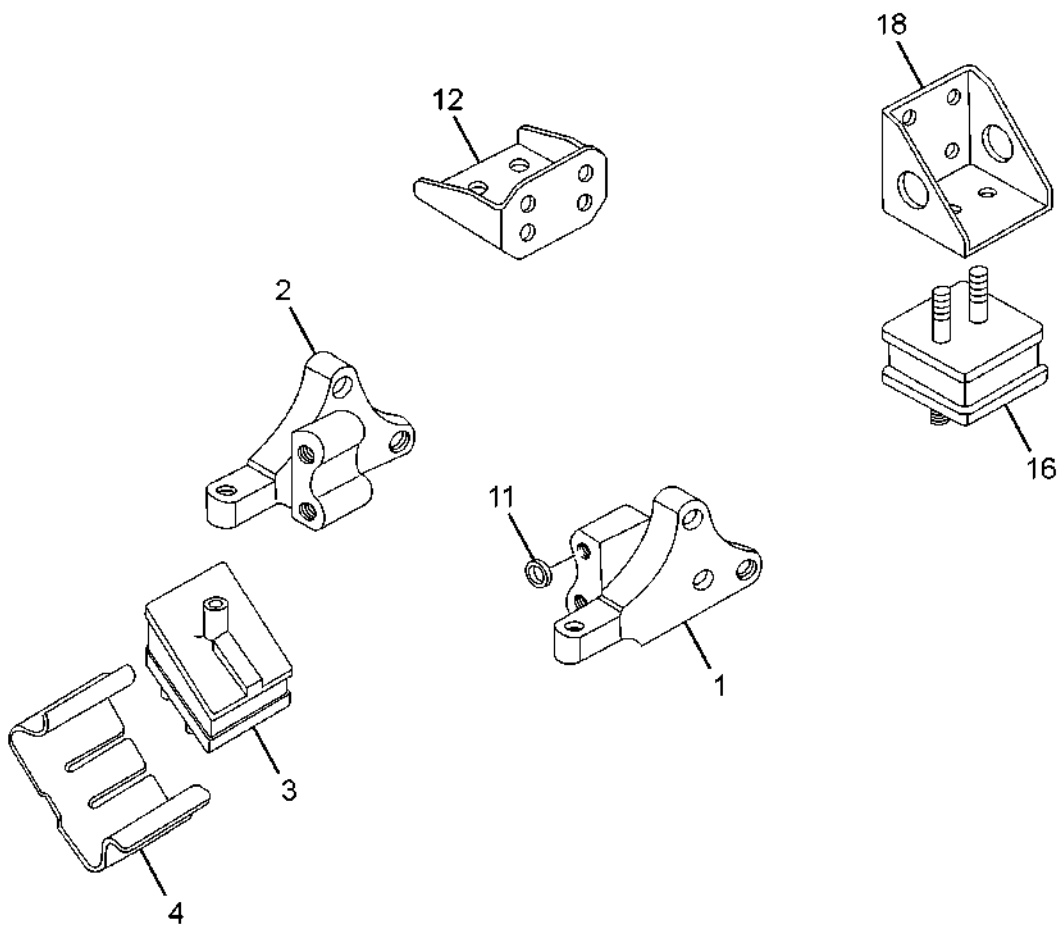
00.22.01		ENGINE LIFTING		GROUP 22	
CHASSIS TYPE: ALL					
FIG. NO.	PART NUMBER	DESCRIPTION	QTY	REMARKS	
8	278620999911	BRACKET LIFTING FRONT	1		
9	278620999912	BRACKET LIFTING ENGINE REAR	1		
10	278620999913	SCREW HEX. FLANGE M 12X1.75X30	2		

CHASSIS TYPE: 412073; 412081; 412073; 412052; 412074; 412080



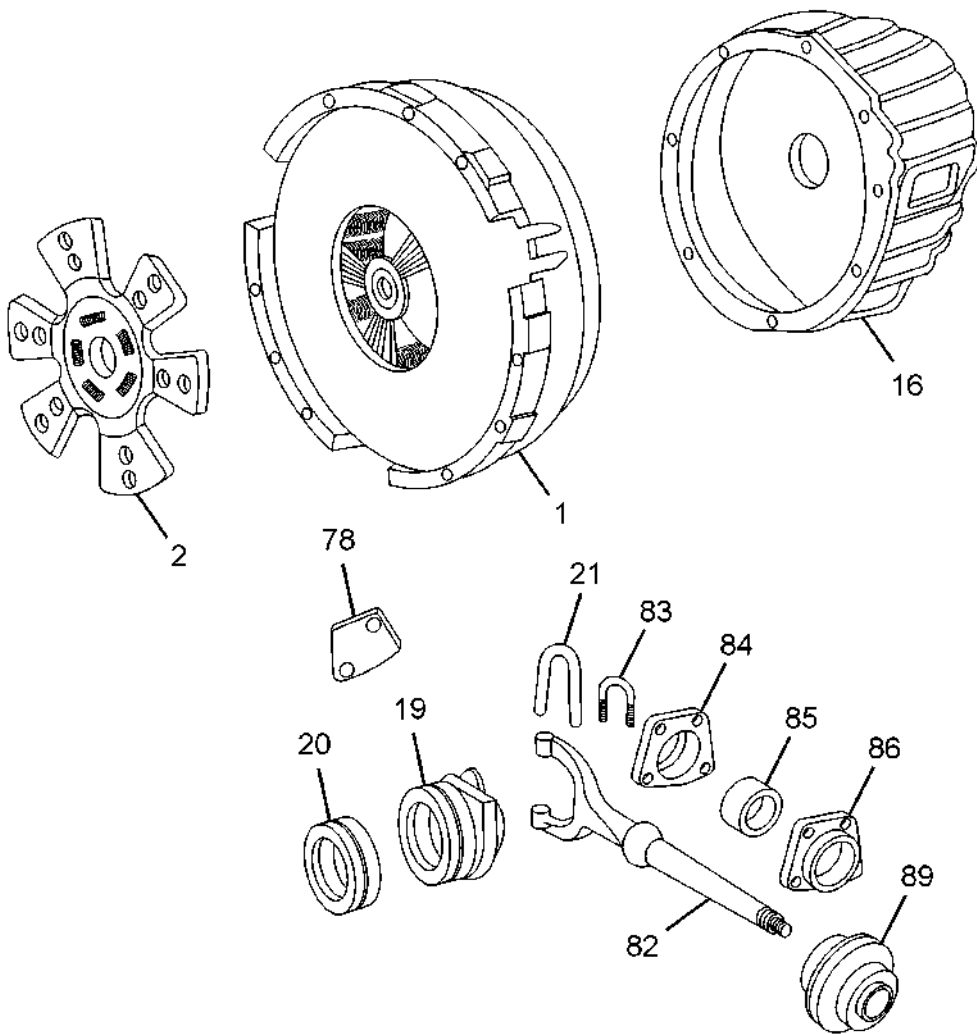
00.24.01A		ENGINE MOUNTING		GROUP 24	
CHASSIS TYPE: 412073; 412081; 412073; 412052; 412074; 412080					
FIG. NO.	PART NUMBER	DESCRIPTION	QTY	REMARKS	
		ENGINE MOUNTING FRONT			
1	277024105102	ENGINE MOUNTING ARM LH (FRONT)	1		
2	277024105101	ENGINE MOUNTING ARM RH (FRONT)	1		
3	257624100101	ASSY. RUBBER SUPPORT FRONT	2		
4	3522420509	TORQUE SUPPORT	2		
11	257624109201	WASHER (MTG. ARM FRT TO RUBBER SUPPORT FRT)	2		
		ENGINE MOUNTING REAR			
16	207324200107	ASSY. RUBBER SUPPORT (REAR)	2		
	207424200104	ASSY BRACKET ENG. MTG. REAR R.H.	1		
	207424200105	ASSY BRACKET ENG. MTG. REAR L.H.	1		
18	207424200102	ASSY.BRACKET LH, ENG.MTG.TOP	1		
18	207424200103	ASSY.BRACKET RH.ENGINE MTG TOP	1		
	277024207145	BRACKET - ON FLYWHEEL HOUSING.LH SIDE	2		

CHASSIS TYPE: 412091; 412271; 412076



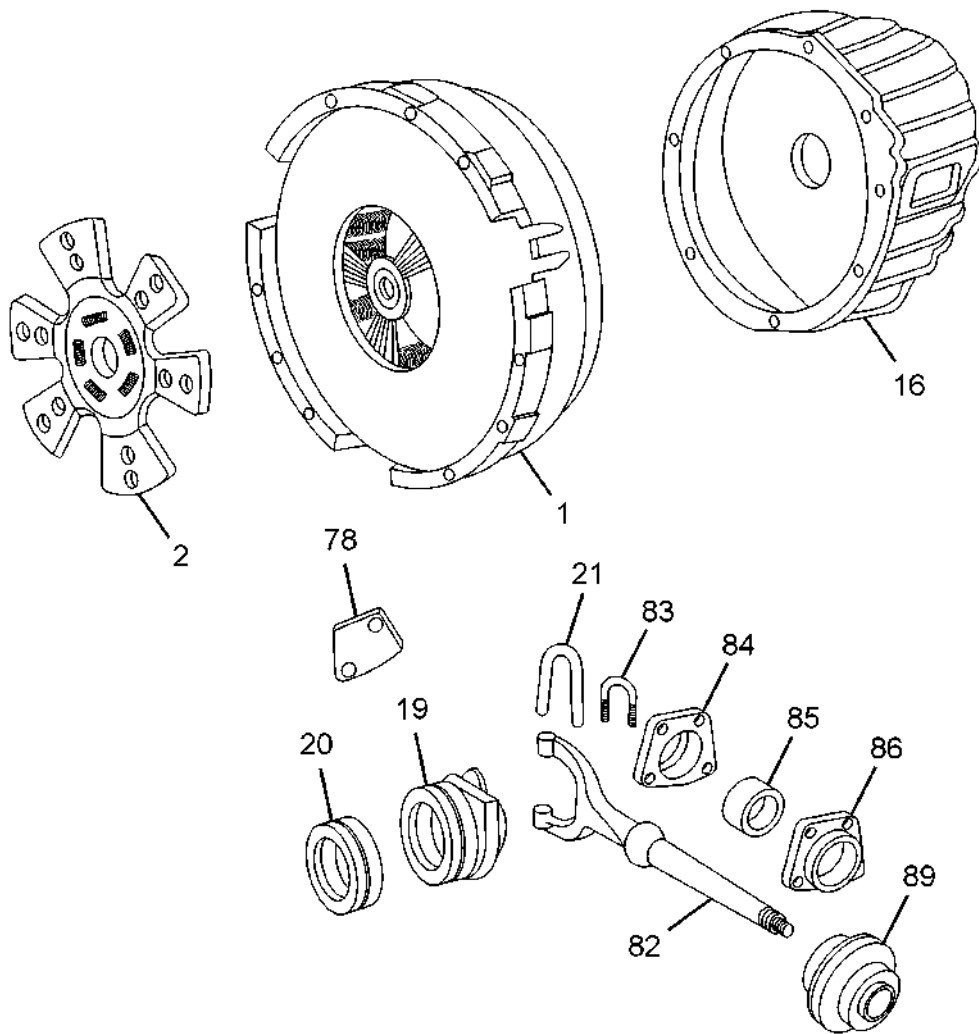
00.24.01B		ENGINE MOUNTING		GROUP 24	
CHASSIS TYPE: 412091; 412271; 412076					
FIG. NO.	PART NUMBER	DESCRIPTION	QTY	REMARKS	
		ENGINE MOUNTING FRONT			
1	277024105102	ENGINE MOUNTING ARM LH (FRONT)	1		
2	277024105101	ENGINE MOUNTING ARM RH (FRONT)	1		
3	257624100101	ASSY. RUBBER SUPPORT FRONT	2		
4	3522420509	TORQUE SUPPORT	2		
11	257624109201	WASHER (MTG. ARM FRT TO RUBBER SUPPORT FRT)	2		
		ENGINE MOUNTING REAR			
12	207324200103	ASSY.BRACKET (ENGINE MTG.BOTTOM)	2		
16	207324200107	ASSY. RUBBER SUPPORT (REAR)	2		
	3129900540	WASHER	4		
18	207324200102	ASSY.BRACKET LH.(ENGINE MTG.TOP)	1		
18	207324200105	ASSY.BRACKET RH.(ENGINE MTG.TOP)	1		

CHASSIS TYPE: ALL



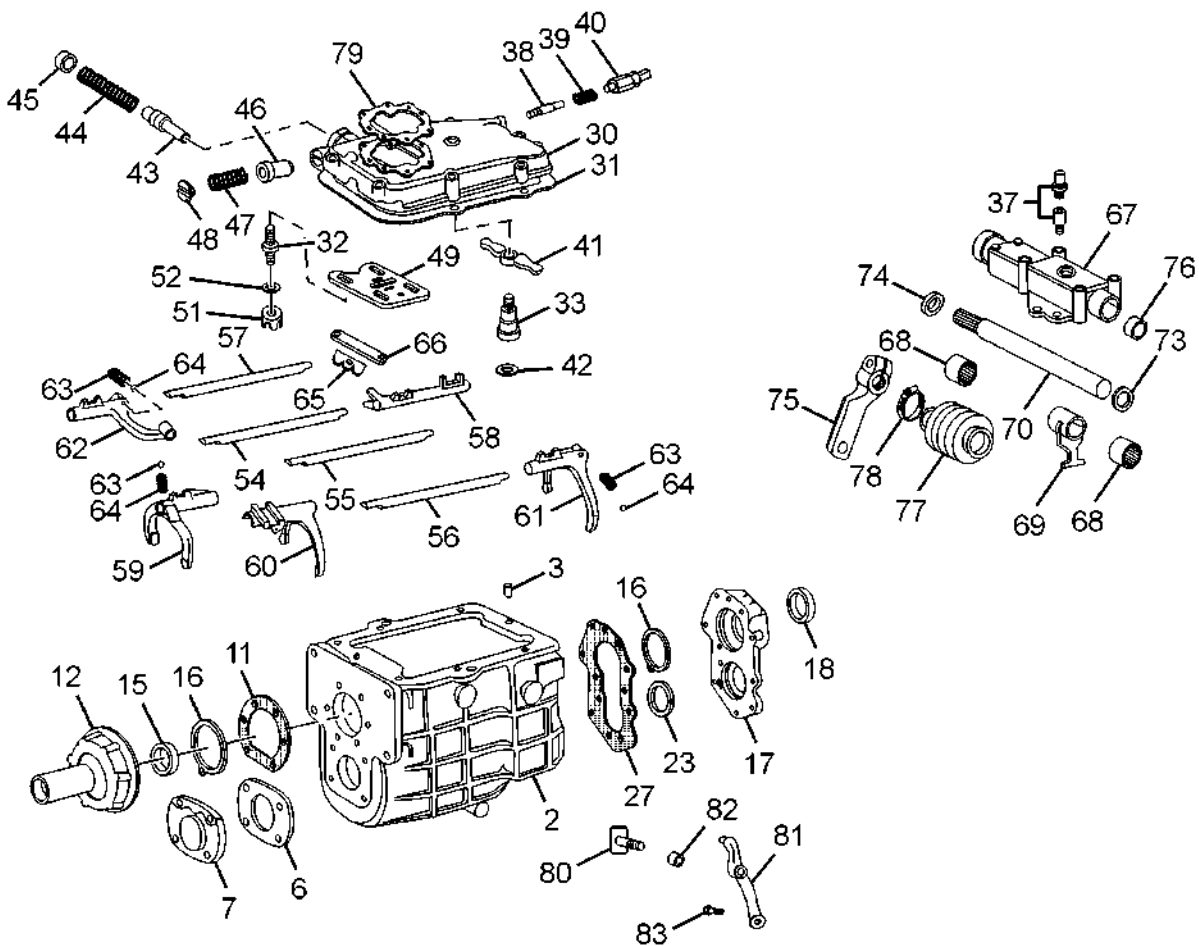
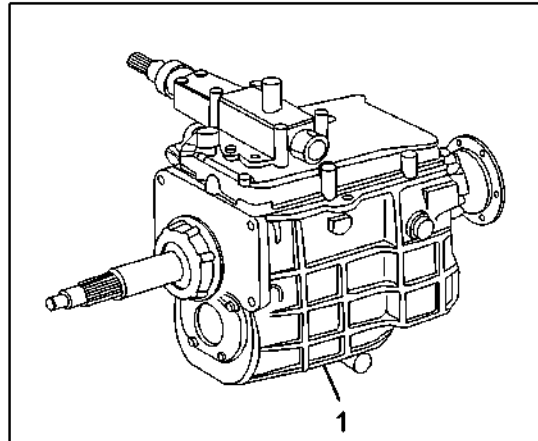
00.25.01		CLUTCH 330 DIA (COIL TYPE)		GROUP 25
CHASSIS TYPE: ALL				
FIG. NO.	PART NUMBER	DESCRIPTION	QTY	REMARKS
1	276325400120	ASSY. CLUTCH PRESSURE PLATE (330 DIA., COIL TYPE)--(GUJRAT SETCO)-SET A	1	UPTO JAN'2006
2	276325200116	ASSY. CLUTCH DISC (330 DIA., CERAMIC)--(GUJRAT SETCO)-SET A	1	
2	272425200137	ASSY. CLUTCH DISC (7 SPRING)--(GUJRAT SETCO)-SET A	1	FROM CHASSIS NO. 373344ATZ100020
1	276325400121	ASSY. CLUTCH PRESSURE PLATE (330 DIA., COIL TYPE)--(CLUTCH AUTO)-SET B	1	
2	276325200117	ASSY. CLUTCH DISC (330 DIA., CERAMIC)--(CLUTCH AUTO)-SET B (SET A AND SET B ARE OPTIONAL)	1	
16	275525103701	CLUTCH HOUSING	1	
19	264125600103	ASSY. CLUTCH REALEASE BEARING WITH SLEEVE	1	
20	257525603106	CLUTCH BEARING	1	
21	3129870110	FELT STRIP	1	
	253425108206	COVER (FOR INSPECTION WINDOW)	1	
78	275525108201	COVER (CLUTCH HOUSING SLIDE)	1	
82	272425605101	CLUTCH RELEASE FORK (185 MM)-REINFORCED	1	
83	3122541013	LOCKING WIRE	2	
84	272425608201	BRACKET (INSIDE)	1	
85	272425600103	ASSY. OUTER RACE	1	
86	272425600102	ASSY.BRACKET,OUTSIDE	1	
89	272425607701	RUBBER BELLOW (CLUTCH RELEASE FORK)	1	
	275525108202	COVER (CL. HSG-LOWER)	2	
	257525600105	ASSY COVER	1	
	257625606801	DOUBLE SOCKET	1	
	257525600121	ASSY. HOSE	1	
	272425400109	PRESSURE PLATE 330 DIA. KIT CONSISTS OF:	1	FOR GUJARAT SETCO CLUTCH
	-	PRESSURE PLATE	1	
	-	NEEDLE BUSH	6	
	272425400111	RELEASE LEVER KIT CONSISTS OF:	1	FOR GUJARAT SETCO CLUTCH
	-	RELEASE LEVER	3	
	-	EYE BOLTY WITH NEEDLE BUSH	3	
	-	EYE BOLT PIN	3	
	-	RETAINING PIN	3	
	-	LOCK NUT	3	

CHASSIS TYPE: ALL



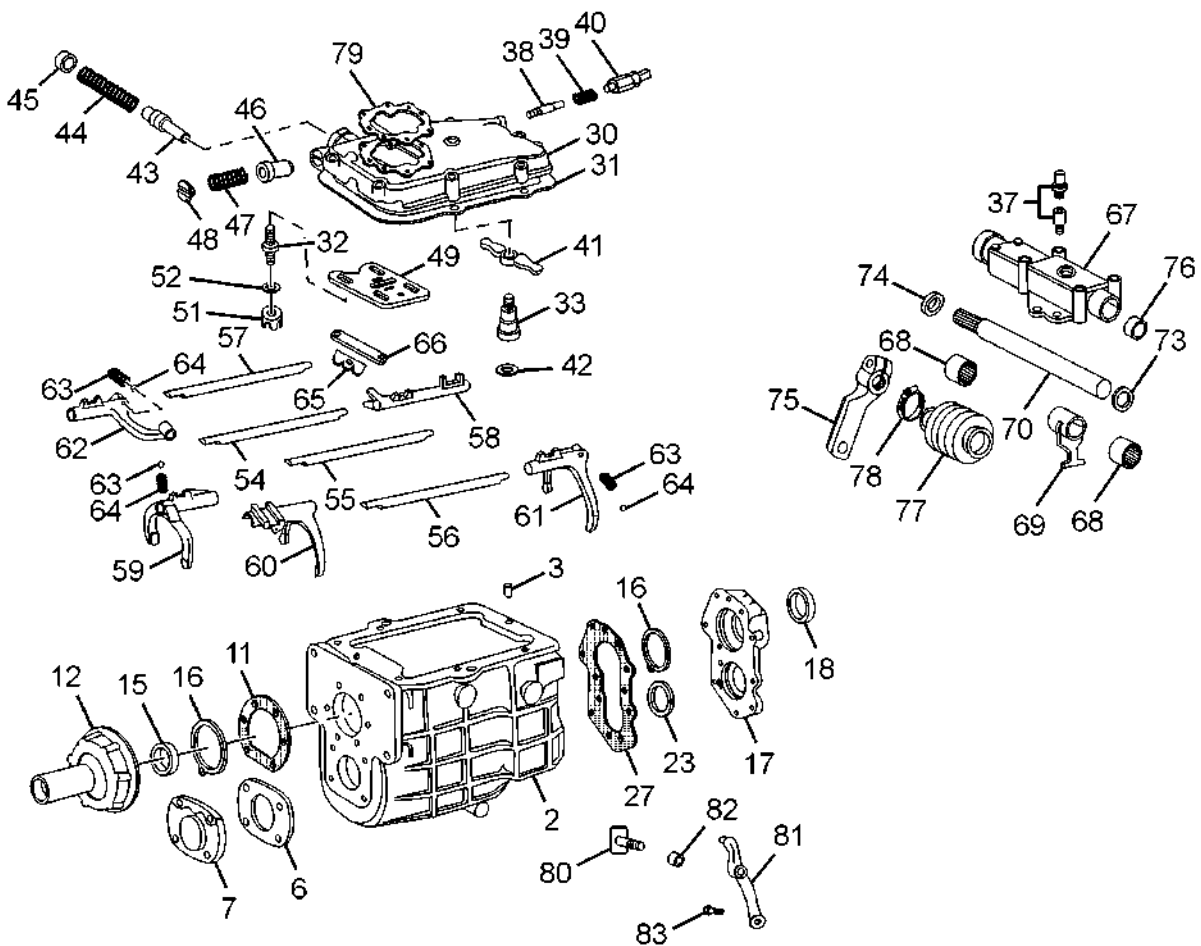
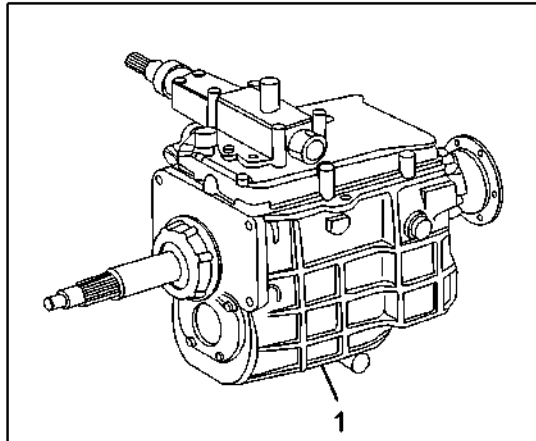
00.25.01		CLUTCH 330 DIA (COIL TYPE)		GROUP 25	
CHASSIS TYPE: ALL					
FIG. NO.	PART NUMBER	DESCRIPTION	QTY	REMARKS	
-		ADJUSTING NUT	3		
-		PRESSURE PLATE PIN	3		
-		RETRACTOR SPRING	3		
-		WASHER	6		
	272425400112	ASSY. RELEASE LEVER WITH EYE BOLT CONSISTS OF:	1	FOR GUJARAT SETCO CLUTCH	
-		RELEASE LEVER	3		
-		EYE BOLT WITH NEEDLE BUSH	3		
-		EYE BOLT PIN	3		
	275425400120	HOLD DOWN BOLT KIT CONSISTS OF:	1	FOR GUJARAT SETCO CLUTCH	
-		HOLD DOWN BOLT	3		
-		WASHER	3		
	272425200111	CLUTCH DISC 330 DIA. FACING KIT CONSISTS OF:	1	FOR GUJARAT SETCO CLUTCH	
-		CERAMIC BUTTON	12		
-		RIVET FOR CERAMIC BUTTON	12		
	272425403701	COVER	1	SERVICED LOOSE	
	272425406706	COTTER PIN	3	SERVICED LOOSE	
	272425408601	COLLECTOR RING	1	SERVICED LOOSE	

CHASSIS TYPE: 412073; 412081; 412073; 412052; 412074; 412080; 412076



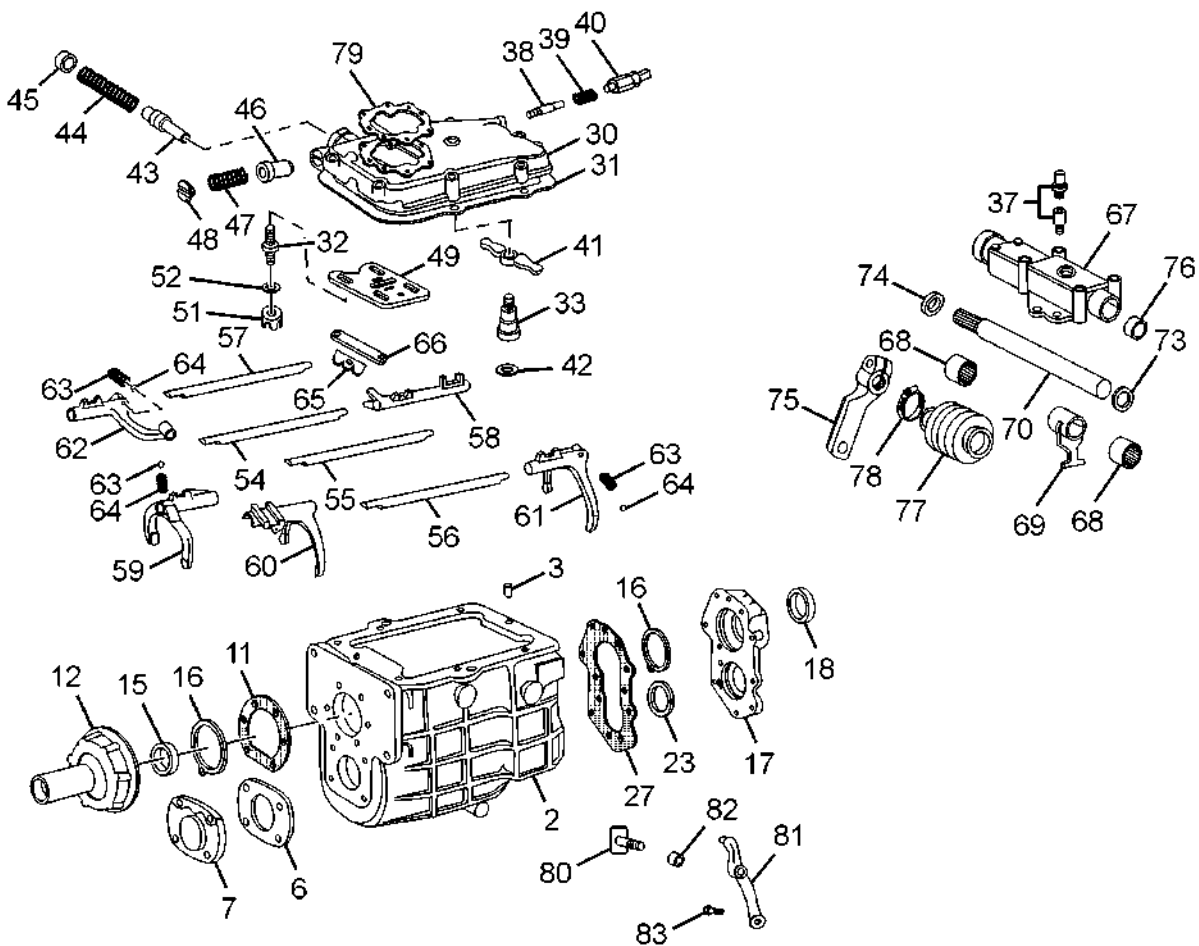
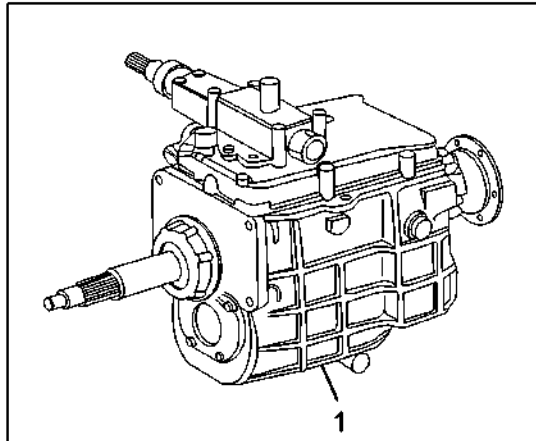
26.26.01A		GEARBOX HOUSING AND COVER		GROUP 26
CHASSIS TYPE: 412073; 412081; 412073; 412052; 412074; 412080; 412076				
FIG. NO.	PART NUMBER	DESCRIPTION	QTY	REMARKS
1	250526040138	ASSY. GBS 40 GEAR BOX (5/7.51)WITH 8 BOLT COUPLING FLANGE	1	
2	250526103723	TRANSMISSION HOUSING	1	
3	13050909209	CYLINDRICAL PIN 10 H X 20 IS 2393	2	
6	250530145301	GASKET (COVER FRONT LOWER)	1	
7	250530144701	FRONT COVER LOWER	1	
11	250526255301	GASKET (COVER FRONT TOP TO HSG)	1	
12	250526253701	GEAR BOX HOUSING COVER FRONT TOP	1	
	250526258201	OIL SLINGER (GB HSG. FRONT COVER)	1	
15	250726257802	OIL SEAL	1	
16	250530138601	BUTTING RING 2.90 MM THICK	1	FOR SELECTION
16	250526258601	BUTTING RING 2.95 MM THICK	1	FOR SELECTION
16	250530138602	BUTTING RING 3.00 MM THICK	1	FOR SELECTION
16	250526258602	BUTTING RING 3.05 MM THICK	1	FOR SELECTION
16	250530138603	BUTTING RING 3.10 MM THICK	1	FOR SELECTION
16	250526258603	BUTTING RING 3.15 MM THICK	1	FOR SELECTION
16	250530138604	BUTTING RING 3.20 MM THICK	1	FOR SELECTION
16	250526258604	BUTTING RING 3.25 MM THICK	1	FOR SELECTION
16	250530138605	BUTTING RING 3.30 MM THICK	1	FOR SELECTION
16	250526258605	BUTTING RING 3.35 MM THICK	1	FOR SELECTION
16	250530138606	BUTTING RING 3.40 MM THICK	1	FOR SELECTION
16	250526258606	BUTTING RING 3.45 MM THICK	1	FOR SELECTION
16	250530138607	BUTTING RING 3.50 MM THICK	1	FOR SELECTION
16	250530138608	BUTTING RING 3.60 MM THICK	1	FOR SELECTION
16	250526258609	BUTTING RING 3.65 MM THICK	1	FOR SELECTION
17	0122610020J	GEAR CASE COVER REAR	1	
18	250526207803	OIL SEAL (MAIN SHAFT)	1	
	3212600086	ASSY. THREADED BUSH	1	
	3212610031	ADAPTER	1	
	250626207804	OIL SEAL	1	
	1532640055	PLUG SPEEDO DRIVE	1	
23	3122831752	SHIM 0.05 MM THICK	AR	FOR SELECTION
23	3122831052	SHIM 0.1 MM THICK	AR	FOR SELECTION
23	3122831152	SHIM 0.2 MM THICK	AR	FOR SELECTION
23	3122831252	SHIM 0.4 MM THICK	AR	FOR SELECTION
23	3122832152	SHIM 0.8 MM THICK	AR	FOR SELECTION
27	3522610780	GASKET (GEAR CASE COVER REAR TO HOUSING)	1	

CHASSIS TYPE: 412073; 412081; 412073; 412052; 412074; 412080; 412076



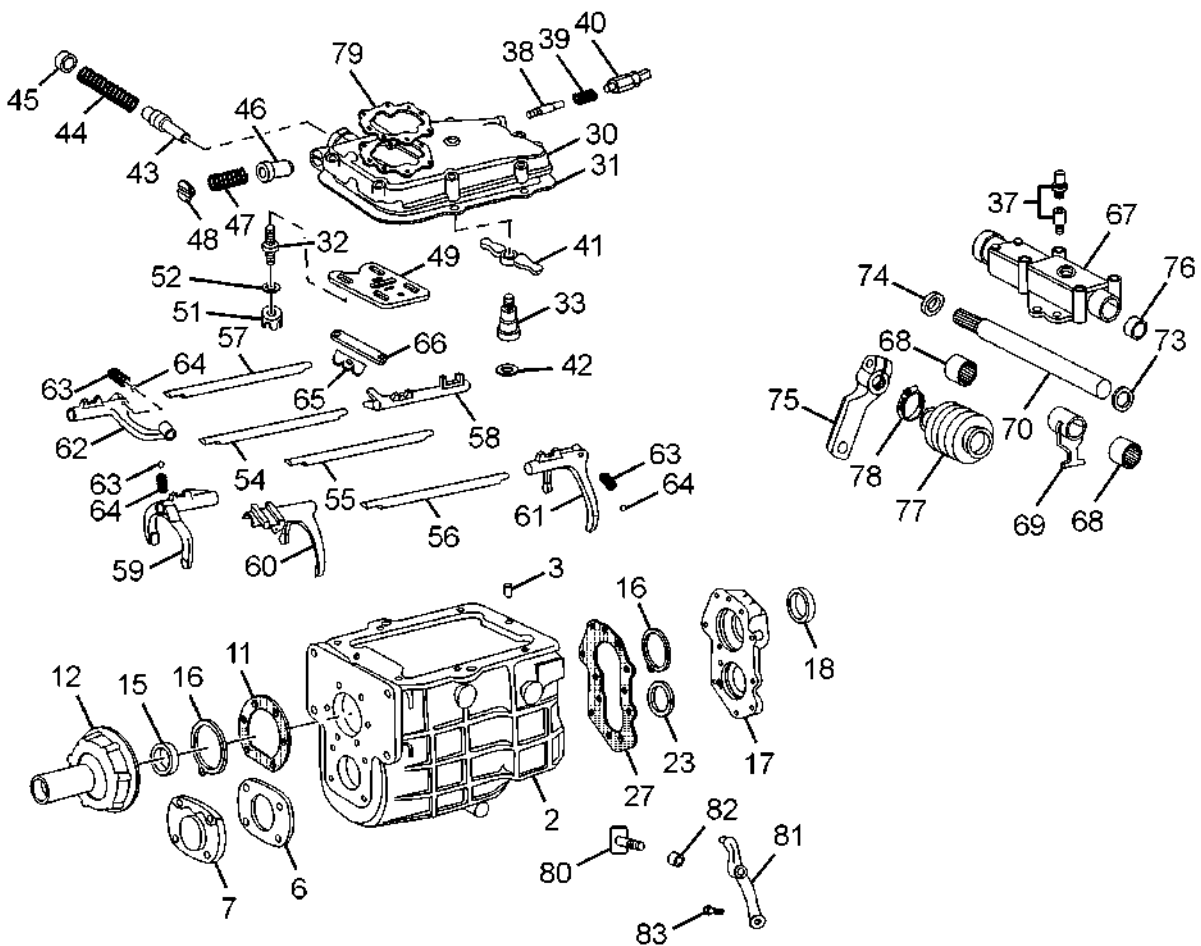
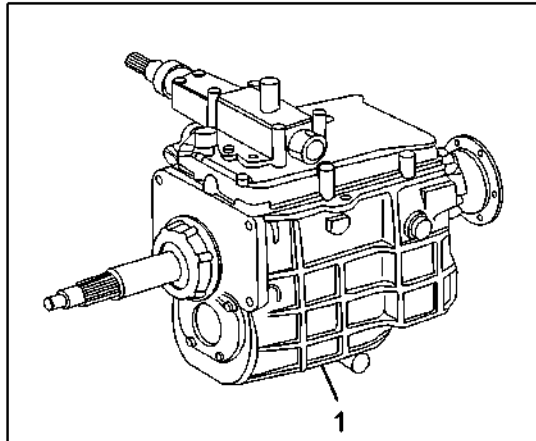
26.26.01A		GEARBOX HOUSING AND COVER		GROUP 26
CHASSIS TYPE: 412073; 412081; 412073; 412052; 412074; 412080; 412076				
FIG. NO.	PART NUMBER	DESCRIPTION	QTY	REMARKS
30	250526713752	GEAR CASE COVER TOP (LOWER HALF)	1	
31	250530125301	GASKET (TOP COVER)	1	
	13050909209	CYL PIN 10 H 8 X 20 IS 2393	2	
32	250530128801	STUD	4	
33	250526716701	PIN SWING LEVER	1	
37	266835150102	PRESSURE RELIEF VALVE	1	
38	250530116701	THRUST PIN (REVERSE INDICATOR SWITCH)	1	
39	3129934201	PRESSURE SPRING (REVERSE INDICATOR SWITCH)	1	
40	265454500134	REVERSE INDICATOR SWITCH	1	
41	250526705105	SWING LEVER SHIFTER FORK (1ST SPEED)	1	
	15953520131	NEEDLE ROLLER BEARING 2X13.8	29	
42	250530129201	WASHER	1	
43	250526713409	PRESSURE PIECE FOR CHECK PLATE	1	
44	250526718702	PRESSURE SPRING FOR PRESSURE PIECE	1	
45	3219970103	SLOTTED PLUG	1	
46	250526713410	INTERLOCKING PIN	1	
47	250526718703	PRESSURE SPRING	1	
	3219930601	PRESSURE SPRING FOR INTERLOCKING PIN	1	
48	16082502401	SEALING PLUG M 24X1.5	1	
49	3212600846	ASSY. CHECK PLATE	1	
	250526713407	STOPPER PIECE CHECK PLATE	4	
	250526713403	SUPPORT PIECE CHECK PLATE	4	
51	12101200807	SLOTTED NUT M 8 TS 17412	4	
52	250530206101	SPRING WASHER	4	
54	3212650805	SELECTOR SHAFT FOR FIRST SPEED	1	
55	3212651805	SELECTOR SHAFT (2/3)	1	
56	3212651905	SELECTOR SHAFT (4/5)	1	
57	3222650305	SELECTOR SHAFT (FOR REVERSE GEAR)	1	
58	3222650123	GEAR SHIFT DOG (FOR FIRST GEAR)	1	
59	3212651202	SELECTOR FORK (2/3)	1	
60	250526515102	SELECTOR FORK (4/5)	1	
61	3212651301	SELECTOR FORK (FOR 1ST SPEED GEAR)	1	
62	250526515101	SELECTOR FORK (FOR REVERSE GEAR)	1	

CHASSIS TYPE: 412073; 412081; 412073; 412052; 412074; 412080; 412076



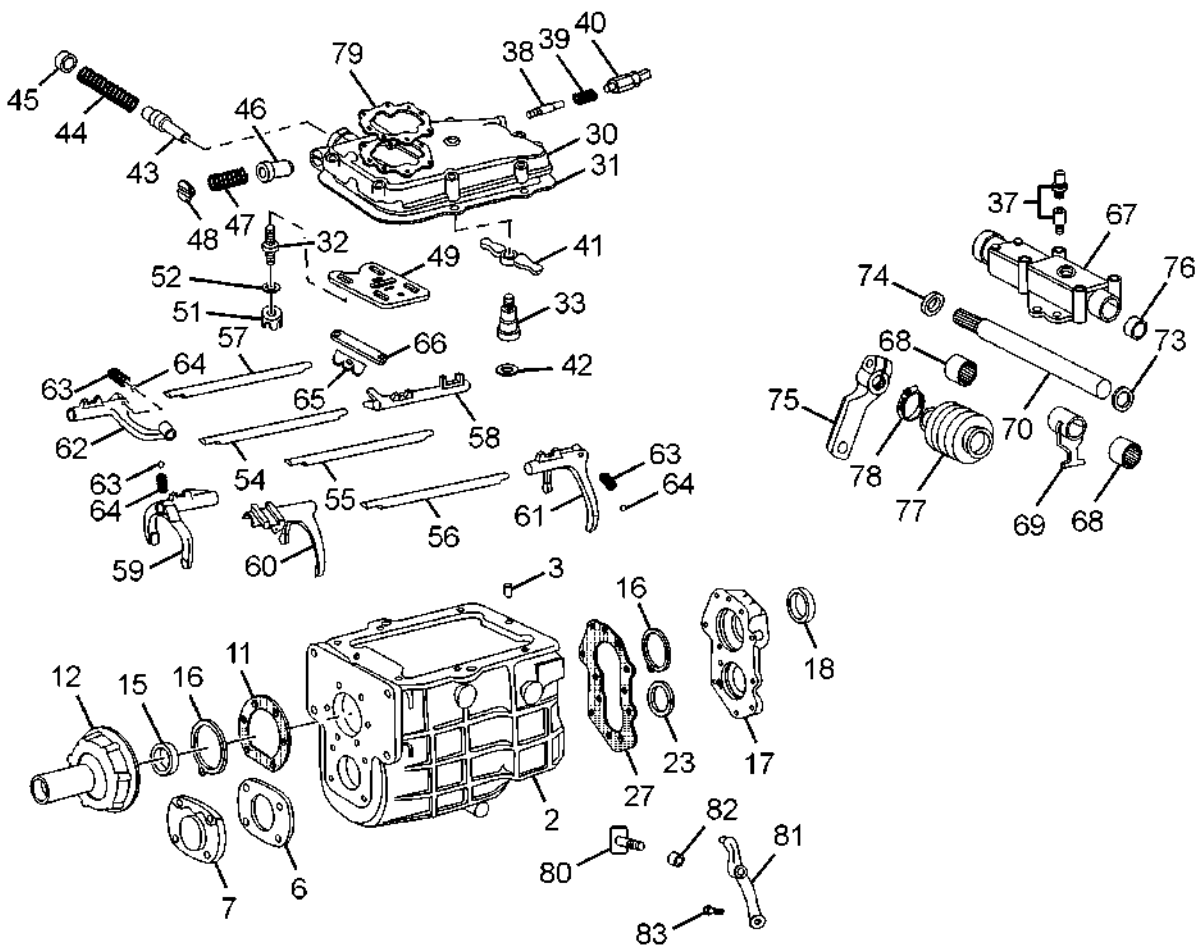
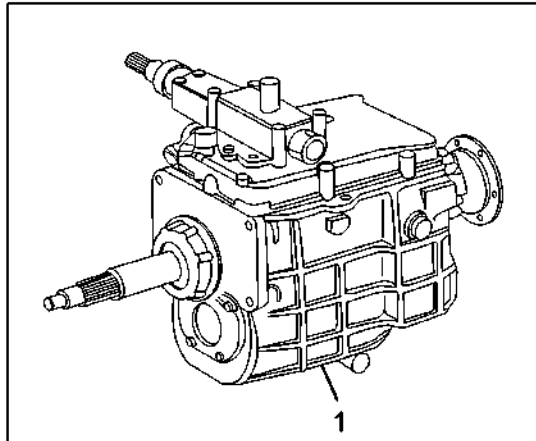
26.26.01A		GEARBOX HOUSING AND COVER		GROUP 26
CHASSIS TYPE: 412073; 412081; 412073; 412052; 412074; 412080; 412076				
FIG. NO.	PART NUMBER	DESCRIPTION	QTY	REMARKS
63	3129931001	PRESSURE SPRING	4	
64	15950101102	STEEL BALL 11 MM DIA.	4	
65	3122651036	CLAMP (SELECTOR SHAFT TO GEAR BOX HOUSING)	4	
66	3129940332	LOCKING PLATE (SELECTOR SHAFT TO GEAR BOX HOUSING)	2	
67	250526713756	COVER TOP (UPPER HALF)	1	
68	250726713105	NEEDLE BEARING	2	
69	250526705104	SHIFTER FINGER	1	
70	250526707908	SELECTOR & SHIFTER SHAFT	1	
73	17061602518	OIL SEAL	1	
74	250726717803	SCRAPER RING	1	
75	250526706009	SHIFTING LEVER	1	
76	250526718222	CAP	1	
77	250526717701	BELLOW	1	
78	14270202501	HOSE CLIP 25	1	
79	250626715301	GASKET (BETWEEN UPPER & LOWER HALF)	1	
80	250530106701	PIVOT PIN	1	
81	3212650208	INTERMEDIATE LEVER (REV. GEAR)	1	
82	3212630450	BUSH	1	
83	250526515901	SLIDING KEY	1	
		GASKET KIT		
	250526000101	GEAR BOX GASKET KIT CONSISTING OF :	1	
6	250530145301	GASKET FRONT COVER LOWER	1	
11	250526255301	GASKET FRONT COVER UPPER	1	
27	3522610780	GASKET REAR COVER	1	
31	250530125301	GASKET TOP COVER	1	

CHASSIS TYPE: 412091; 412271



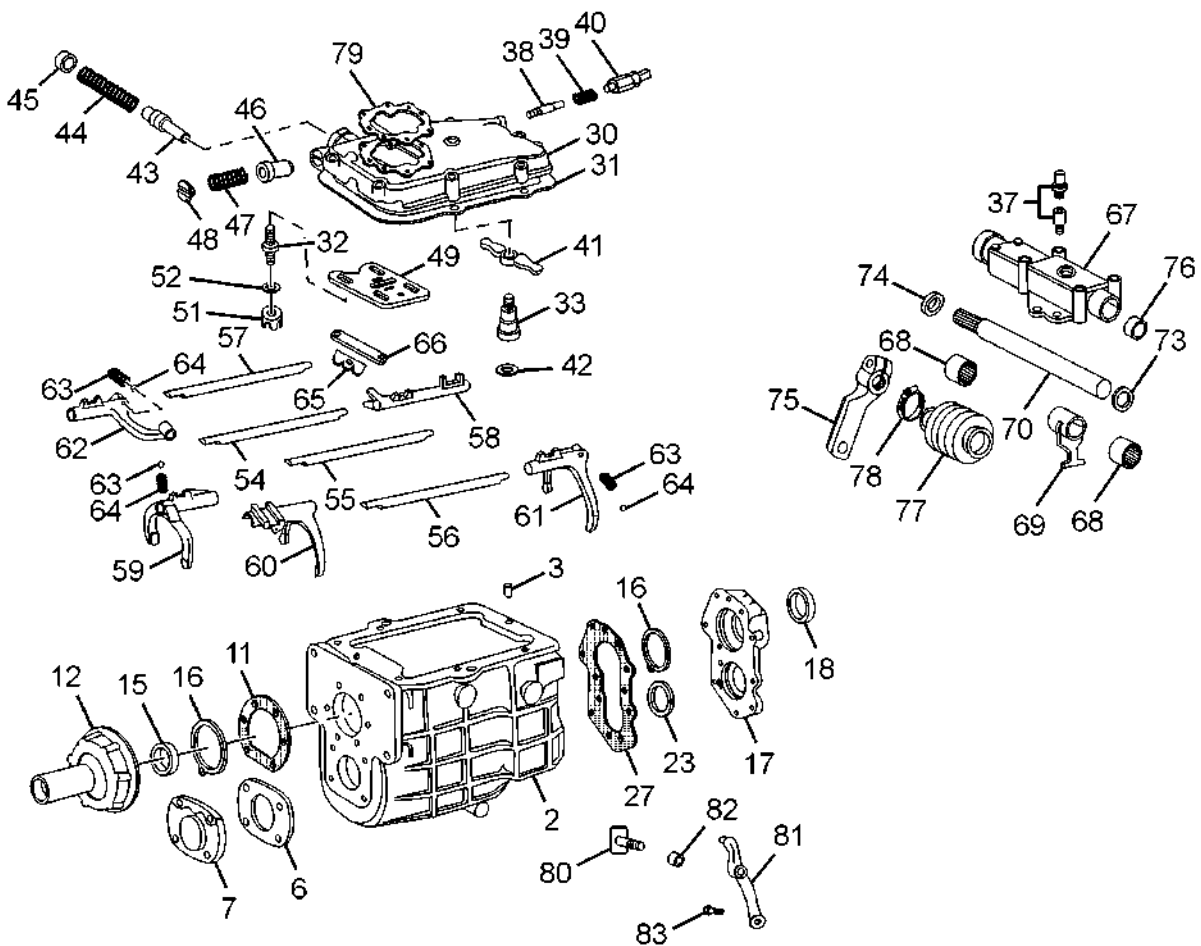
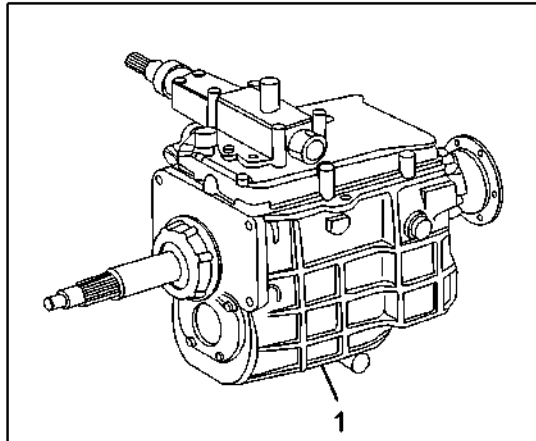
26.26.01B		GEARBOX HOUSING AND COVER		GROUP 26
CHASSIS TYPE: 412091; 412271				
FIG. NO.	PART NUMBER	DESCRIPTION	QTY	REMARKS
1	250526040138	ASSY. GBS 40 GEAR BOX (5/7.51)WITH 8 BOLT COUPLING FLANGE	1	
1	250526040115	ASSY. GBS 40 GEAR BOX (5/7.51A) WITH APP MK II	1	FOR CAR CARRIER
	251052300142	AXIAL PISTON PUMP WITH SHIFT CYLINDER	1	FOR CAR CARRIER
	251052300141	ASSY. AXIAL PISTON PUMP W/O SHIFT CYLINDER	1	FOR CAR CARRIER
	217726400101	PTO PUMP ASSY (WIPRO)	1	FOR CAR CARRIER
	259445200102	ASSY.SHIFT CYLINDER	1	FOR CAR CARRIER
	207843700106	LEVER TYPE CONTROL VALVE	1	FOR CAR CARRIER
2	250526103723	TRANSMISSION HOUSING	1	
2	250526103727	TRANSMISSION HOUSING	1	FOR CAR CARRIER
3	13050909209	CYLINDRICAL PIN 10 H X 20 IS 2393	2	
6	250530145301	GASKET (COVER FRONT LOWER)	1	
7	250530144701	FRONT COVER LOWER	1	
11	250526255301	GASKET (COVER FRONT TOP TO HSG)	1	
12	250526253701	GEAR BOX HOUSING COVER FRONT TOP	1	
	250526258201	OIL SLINGER (GB HSG. FRONT COVER)	1	
15	250726257802	OIL SEAL	1	
16	250530138601	BUTTING RING 2.90 MM THICK	1	FOR SELECTION
16	250526258601	BUTTING RING 2.95 MM THICK	1	FOR SELECTION
16	250530138602	BUTTING RING 3.00 MM THICK	1	FOR SELECTION
16	250526258602	BUTTING RING 3.05 MM THICK	1	FOR SELECTION
16	250530138603	BUTTING RING 3.10 MM THICK	1	FOR SELECTION
16	250526258603	BUTTING RING 3.15 MM THICK	1	FOR SELECTION
16	250530138604	BUTTING RING 3.20 MM THICK	1	FOR SELECTION
16	250526258604	BUTTING RING 3.25 MM THICK	1	FOR SELECTION
16	250530138605	BUTTING RING 3.30 MM THICK	1	FOR SELECTION
16	250526258605	BUTTING RING 3.35 MM THICK	1	FOR SELECTION
16	250530138606	BUTTING RING 3.40 MM THICK	1	FOR SELECTION
16	250526258606	BUTTING RING 3.45 MM THICK	1	FOR SELECTION
16	250530138607	BUTTING RING 3.50 MM THICK	1	FOR SELECTION
16	250530138608	BUTTING RING 3.60 MM THICK	1	FOR SELECTION
16	250526258609	BUTTING RING 3.65 MM THICK	1	FOR SELECTION
17	0122610020J	GEAR CASE COVER REAR	1	
	3372610120	GEAR CASE COVER REAR (FOR PTO APPLICATION)	1	FOR CAR CARRIER

CHASSIS TYPE: 412091; 412271



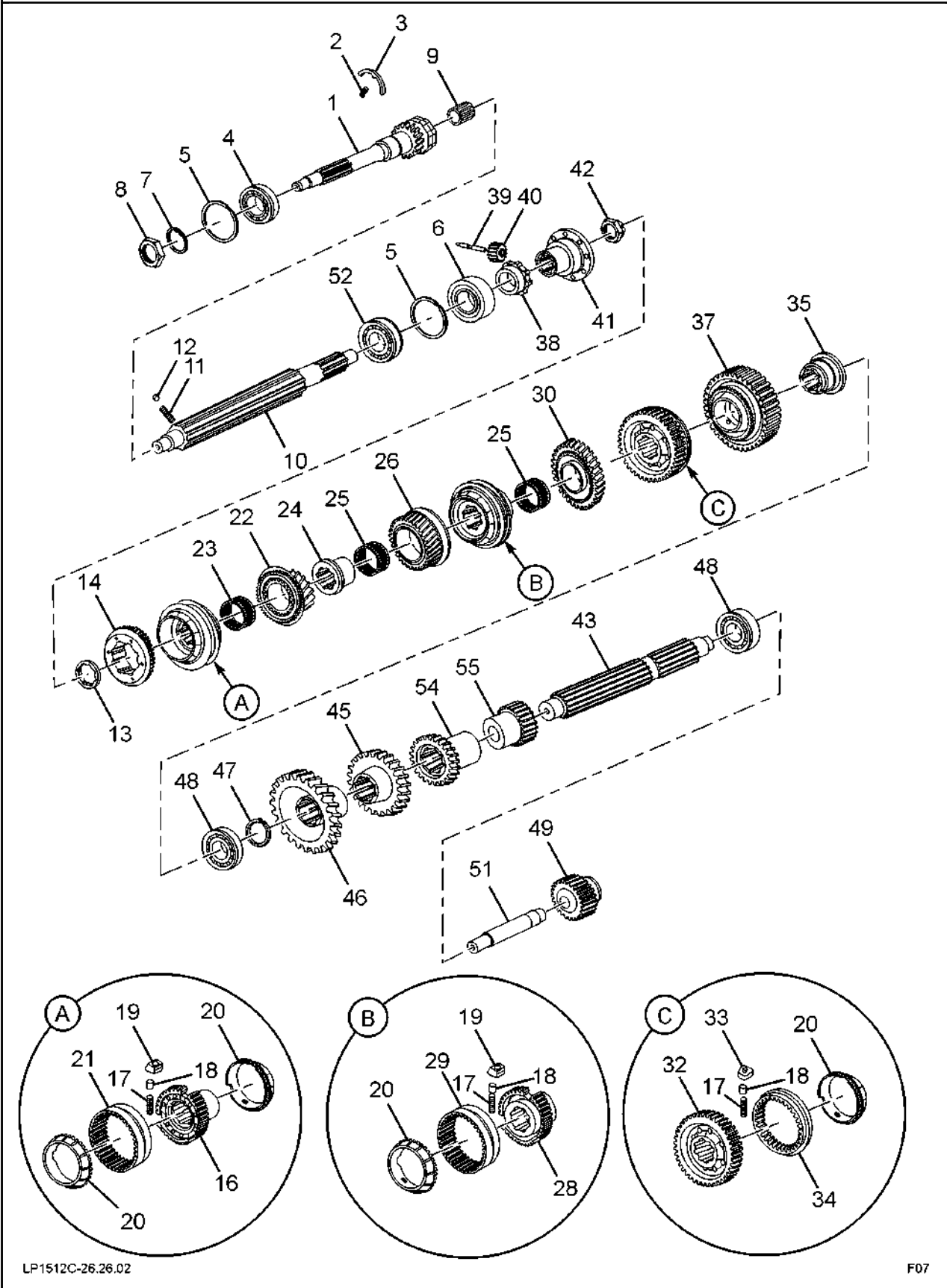
26.26.01B		GEARBOX HOUSING AND COVER		GROUP 26
CHASSIS TYPE: 412091; 412271				
FIG. NO.	PART NUMBER	DESCRIPTION	QTY	REMARKS
18	250526207803	OIL SEAL (MAIN SHAFT)	1	
	3212600086	ASSY. THREADED BUSH	1	
	3212610031	ADAPTER	1	
	250626207804	OIL SEAL	1	
	1532640055	PLUG SPEEDO DRIVE	1	
23	3122831752	SHIM 0.05 MM THICK	AR	FOR SELECTION
23	3122831052	SHIM 0.1 MM THICK	AR	FOR SELECTION
23	3122831152	SHIM 0.2 MM THICK	AR	FOR SELECTION
23	3122831252	SHIM 0.4 MM THICK	AR	FOR SELECTION
23	3122832152	SHIM 0.8 MM THICK	AR	FOR SELECTION
27	3522610780	GASKET (GEAR CASE COVER REAR TO HOUSING)	1	
30	250526713752	GEAR CASE COVER TOP (LOWER HALF)	1	
31	250530125301	GASKET (TOP COVER)	1	
	13050909209	CYL PIN 10 H 8 X 20 IS 2393	2	
32	250530128801	STUD	4	
33	250526716701	PIN SWING LEVER	1	
37	266835150102	PRESSURE RELIEF VALVE	1	
38	250530116701	THRUST PIN (REVERSE INDICATOR SWITCH)	1	
39	3129934201	PRESSURE SPRING (REVERSE INDICATOR SWITCH)	1	
40	265454500134	REVERSE INDICATOR SWITCH	1	
41	250526705105	SWING LEVER SHIFTER FORK (1ST SPEED)	1	
	15953520131	NEEDLE ROLLER BEARING 2X13.8	29	
42	250530129201	WASHER	1	
43	250526713409	PRESSURE PIECE FOR CHECK PLATE	1	
44	250526718702	PRESSURE SPRING FOR PRESSURE PIECE	1	
45	3219970103	SLOTTED PLUG	1	
46	250526713410	INTERLOCKING PIN	1	
47	250526718703	PRESSURE SPRING	1	
	3219930601	PRESSURE SPRING FOR INTERLOCKING PIN	1	
48	16082502401	SEALING PLUG M 24X1.5	1	
49	3212600846	ASSY. CHECK PLATE	1	
	250526713407	STOPPER PIECE CHECK PLATE	4	
	250526713403	SUPPORT PIECE CHECK PLATE	4	
51	12101200807	SLOTTED NUT M 8 TS 17412	4	

CHASSIS TYPE: 412091; 412271



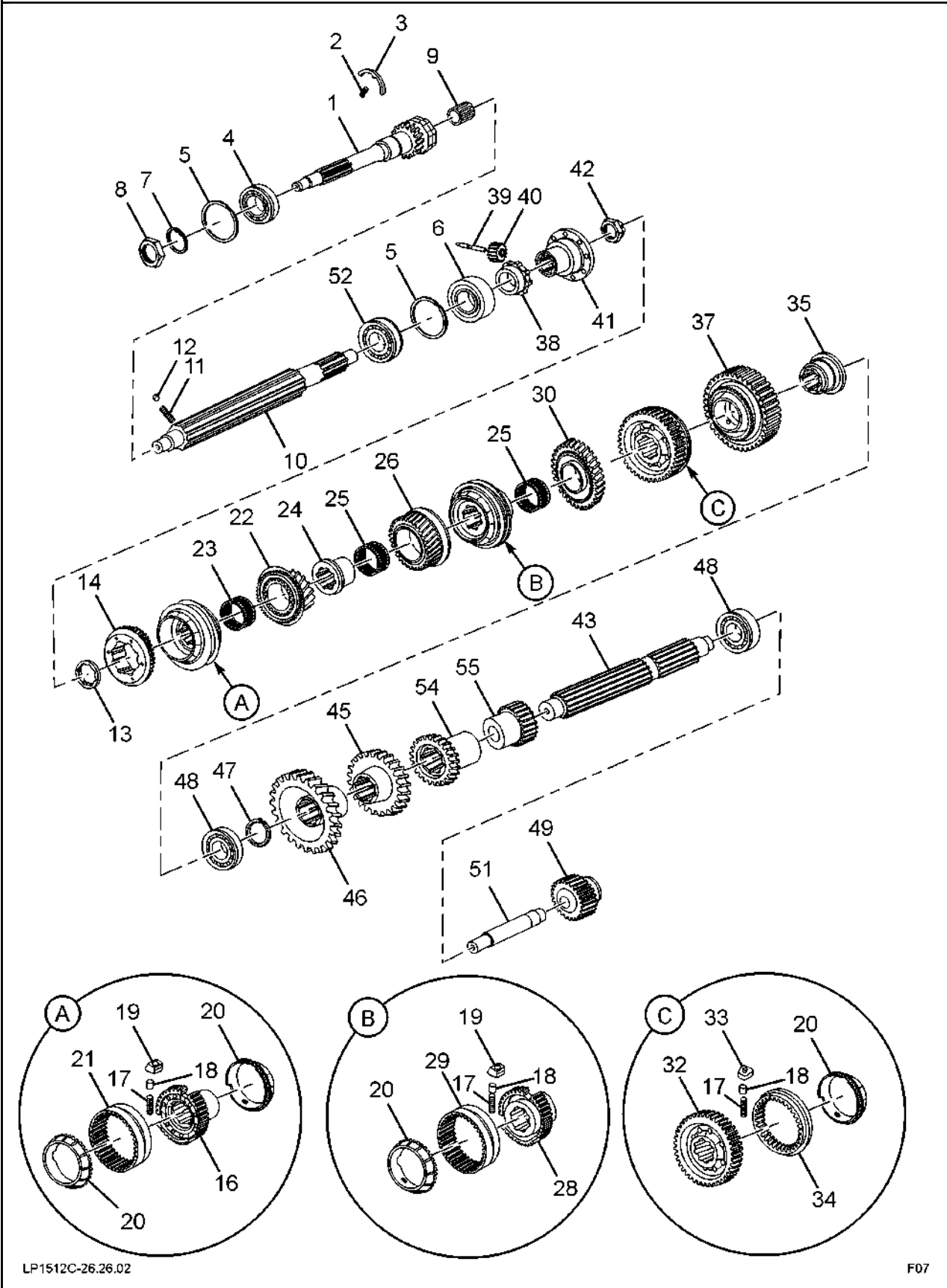
26.26.01B		GEARBOX HOUSING AND COVER		GROUP 26
CHASSIS TYPE: 412091; 412271				
FIG. NO.	PART NUMBER	DESCRIPTION	QTY	REMARKS
52	250530206101	SPRING WASHER	4	
54	3212650805	SELECTOR SHAFT FOR FIRST SPEED	1	
55	3212651805	SELECTOR SHAFT (2/3)	1	
56	3212651905	SELECTOR SHAFT (4/5)	1	
57	3222650305	SELECTOR SHAFT (FOR REVERSE GEAR)	1	
58	3222650123	GEAR SHIFT DOG (FOR FIRST GEAR)	1	
59	3212651202	SELECTOR FORK (2/3)	1	
60	250526515102	SELECTOR FORK (4/5)	1	
61	3212651301	SELECTOR FORK (FOR 1ST SPEED GEAR)	1	
62	250526515101	SELECTOR FORK (FOR REVERSE GEAR)	1	
63	3129931001	PRESSURE SPRING	4	
64	15950101102	STEEL BALL 11 MM DIA.	4	
65	3122651036	CLAMP (SELECTOR SHAFT TO GEAR BOX HOUSING)	4	
66	3129940332	LOCKING PLATE (SELECTOR SHAFT TO GEAR BOX HOUSING)	2	
67	250526713756	COVER TOP (UPPER HALF)	1	
68	250726713105	NEEDLE BEARING	2	
69	250526705104	SHIFTER FINGER	1	
70	250526707908	SELECTOR & SHIFTER SHAFT	1	
73	17061602518	OIL SEAL	1	
74	250726717803	SCRAPER RING	1	
75	250526706009	SHIFTING LEVER	1	
76	250526718222	CAP	1	
77	250526717701	BELLOW	1	
78	14270202501	HOSE CLIP 25	1	
79	250626715301	GASKET (BETWEEN UPPER & LOWER HALF)	1	
80	250530106701	PIVOT PIN	1	
81	3212650208	INTERMEDIATE LEVER (REV. GEAR)	1	
82	3212630450	BUSH	1	
83	250526515901	SLIDING KEY	1	
		GASKET KIT		
	250526000101	GEAR BOX GASKET KIT CONSISTING OF :	1	
6	250530145301	GASKET FRONT COVER LOWER	1	
11	250526255301	GASKET FRONT COVER UPPER	1	
27	3522610780	GASKET REAR COVER	1	
31	250530125301	GASKET TOP COVER	1	

CHASSIS TYPE: 412073; 412081; 412073; 412052; 412074; 412080; 412076



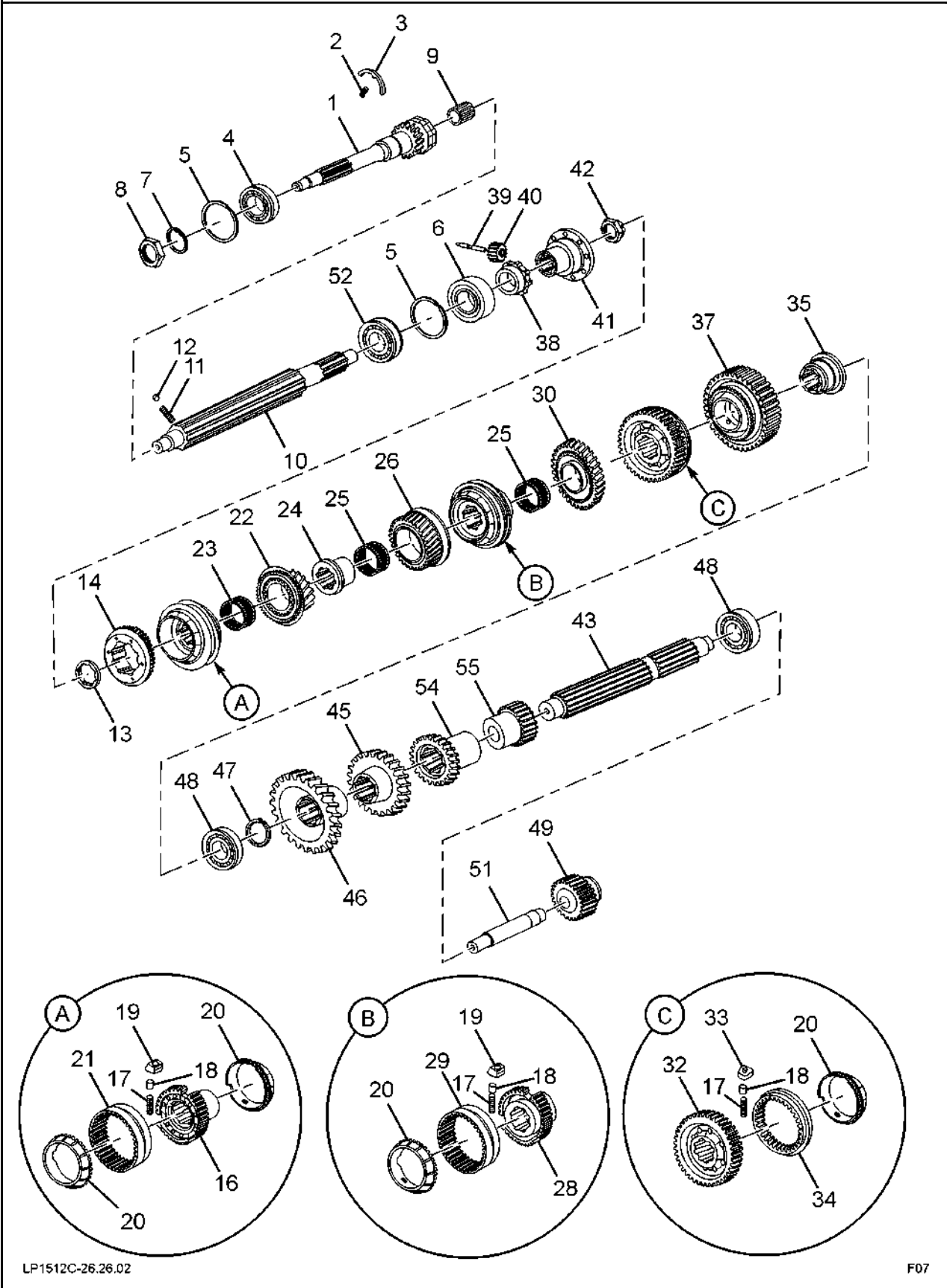
26.26.02A		GEAR SHAFT AND GEAR		GROUP 26	
CHASSIS TYPE: 412073; 412081; 412073; 412052; 412074; 412080; 412076					
FIG. NO.	PART NUMBER	DESCRIPTION	QTY	REMARKS	
1	250526257913	DRIVE SHAFT	1		
2	3219931201	COMPRESSION SPRING	1		
3	3212620073	CLAMPING PLATE	1		
4	250526203129	CYLINDRICAL ROLLER BEARING (45X100X25)	1		
5	250526204302	SNAP RING 2.68 MM THICK	2	FOR SELECTION	
5	250526204303	SNAP RING 2.73 MM THICK	2	FOR SELECTION	
5	250526204304	SNAP RING 2.78 MM THICK	2	FOR SELECTION	
5	250526204305	SNAP RING 2.83 MM THICK	2	FOR SELECTION	
5	250526204306	SNAP RING 2.88 MM THICK	2	FOR SELECTION	
5	250526204307	SNAP RING 2.93 MM THICK	2	FOR SELECTION	
7	250726258601	SPACER ON DRIVE SHAFT	1		
	250526258201	OIL SLINGER (FRONT SIDE)	1		
8	3122621172	LOCK NUT LH THREAD	1		
9	250526253118	ROLLER CAGE (LONGER) 28X48X30.8	1		
10	250526207903	MAIN SHAFT (LONGER PILOT BEARING)	1		
6	250526203106	FOUR POINT BALL BEARING	1		
52	9811201	CYLINDRICAL ROLLER BEARING	1		
11	3129931701	PRESSURE SPRING	1		
12	3212620374	PIN ON MAIN SHAFT	1		
13	3212622162	BUTTING RING 6.90 MM THICK	1	FOR SELECTION	
13	250526208608	BUTTING RING 6.95 MM THICK	1	FOR SELECTION	
13	3212622062	BUTTING RING 7.00 MM THICK	1	FOR SELECTION	
13	250526208609	BUTTING RING 7.05 MM THICK	1	FOR SELECTION	
13	3212621962	BUTTING RING 7.10 MM THICK	1	FOR SELECTION	
13	250526208610	BUTTING RING 7.15 MM THICK	1	FOR SELECTION	
13	3212621862	BUTTING RING 7.20 MM THICK	1	FOR SELECTION	
13	250526208611	BUTTING RING 7.25 MM THICK	1	FOR SELECTION	
13	3212621762	BUTTING RING 7.30 MM THICK	1	FOR SELECTION	
13	250526208612	BUTTING RING 7.35 MM THICK	1	FOR SELECTION	
13	3212620462	BUTTING RING 7.40 MM THICK	1	FOR SELECTION	
13	3212622862	BUTTING RING 7.45 MM THICK	1	FOR SELECTION	
13	3212620562	BUTTING RING 7.50 MM THICK	1	FOR SELECTION	
13	3212622962	BUTTING RING 7.55 MM THICK	1	FOR SELECTION	
13	3212620662	BUTTING RING 7.60 MM THICK	1	FOR SELECTION	
13	3212623062	BUTTING RING 7.65 MM THICK	1	FOR SELECTION	
13	3212620762	BUTTING RING 7.70 MM THICK	1	FOR SELECTION	
13	250526208613	BUTTING RING 7.75 MM THICK	1	FOR SELECTION	
13	3212622562	BUTTING RING 7.80 MM THICK	1	FOR SELECTION	
13	250526208614	BUTTING RING 7.85 MM THICK	1	FOR SELECTION	

CHASSIS TYPE: 412073; 412081; 412073; 412052; 412074; 412080; 412076



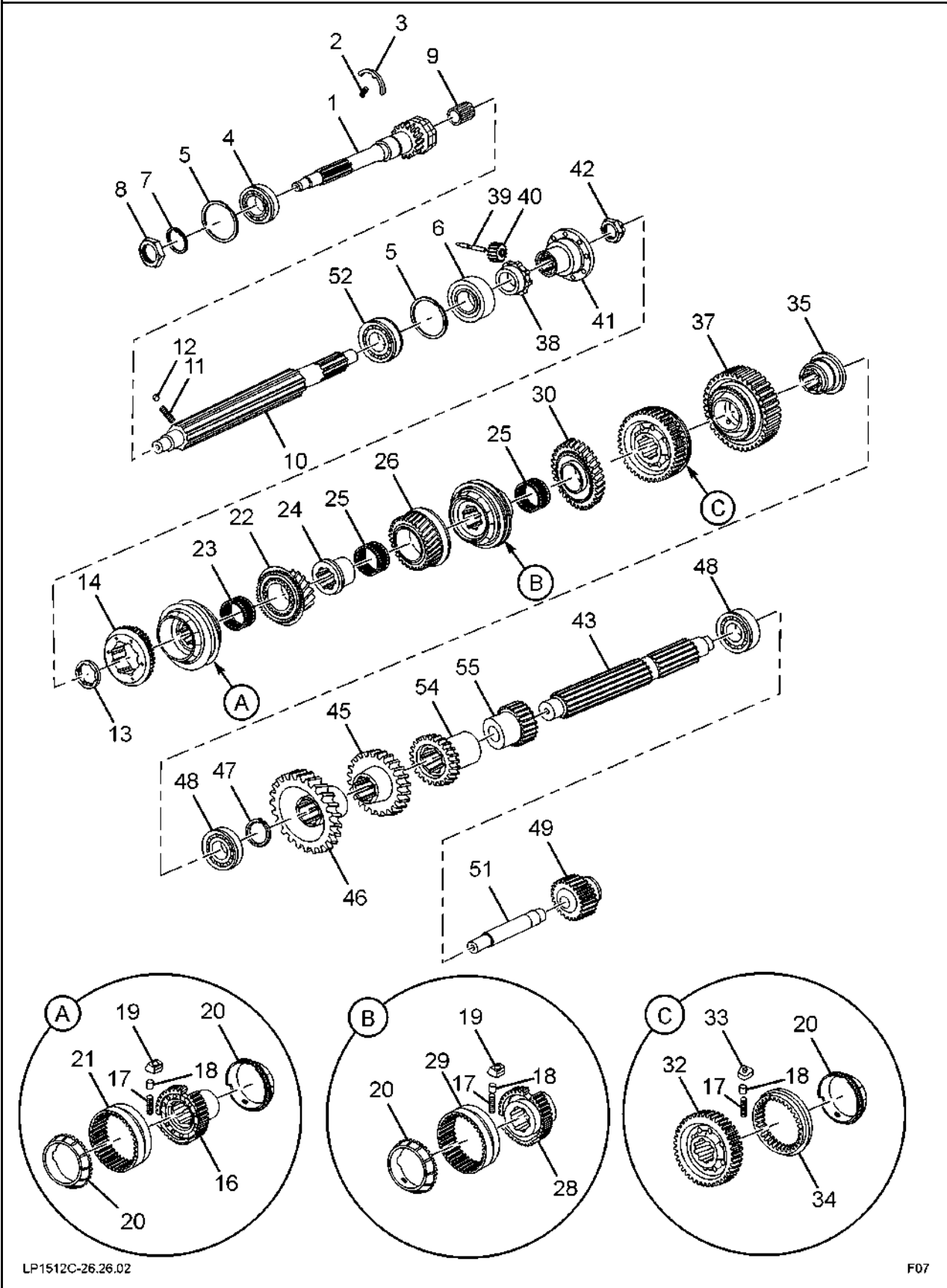
26.26.02A		GEAR SHAFT AND GEAR		GROUP 26	
CHASSIS TYPE: 412073; 412081; 412073; 412052; 412074; 412080; 412076					
FIG. NO.	PART NUMBER	DESCRIPTION	QTY	REMARKS	
13	3212622662	BUTTING RING 7.90 MM THICK	1	FOR SELECTION	
13	250526208615	BUTTING RING 7.95 MM THICK	1	FOR SELECTION	
13	3212622762	BUTTING RING 8.00 MM THICK	1	FOR SELECTION	
14	3402620134	SYNCHRONISING RING	1		
16	250530155403	SYNCHRONISING SLEEVE 4TH & 5TH	1		
20	250526203802	SYNCHRONISING CONE	2		
21	3212620823	SHIFTING SLEEVE	1		
22	250530150105	ASSY. HELICAL GEAR 4TH SPEED	1		
23	250526203123	DOUBLE ROW NEEDLE CAGE	1		
24	3222624050	COLLAR BUSHING 44.5 MM LONG (FOR THIRD SPEED GEAR)	1	FOR SELECTION	
24	3222624150	COLLAR BUSHING 44.6 MM LONG (FOR THIRD SPEED GEAR)	1	FOR SELECTION	
25	250526203124	ROLLER CAGE (DOUBLE ROW)	1		
26	3222600644	ASSY. HELICAL GEAR 3RD SPEED	1		
28	3222620435	SYNCHRONISING SLEEVE 2/3	1		
20	250526203802	SYNCHRONISING CONE	2		
29	3212620823	SHIFTING SLEEVE	1		
25	250526203124	ROLLER CAGE (DOUBLE ROW)	1		
30	3222620112	HELICAL GEAR 2ND SPEED	1		
32	3222630333	REVERSE GEAR ON MAIN SHAFT	1		
20	250526203802	SYNCHRONISING CONE	1		
34	3212620723	SHIFTER SLEEVE 1ST SPEED	1		
35	250530153401	COLLAR BUSHING 47.2 MM LONG	1	FOR SELECTION	
35	250530153402	COLLAR BUSHING 47.3 MM LONG	1	FOR SELECTION	
35	250530153403	COLLAR BUSHING 47.4 MM LONG	1	FOR SELECTION	
35	250530153404	COLLAR BUSHING 47.5 MM LONG	1	FOR SELECTION	
35	250530153405	COLLAR BUSHING 47.6 MM LONG	1	FOR SELECTION	
35	250530153406	COLLAR BUSHING 47.7 MM LONG	1	FOR SELECTION	
35	250530153407	COLLAR BUSHING 47.8 MM LONG	1	FOR SELECTION	
35	250530153408	COLLAR BUSHING 47.9 MM LONG	1	FOR SELECTION	
37	250530155401	GEAR WHEEL 1ST SPEED	1		
38	250526200176	GEAR SPEEDOMETER DRIVE W/ OIL SLINGER	1		
39	250526207902	SHAFT (SPEEDO DRIVE)	1		
40	250526200158	SPEEDO GEAR (NYLON)	1		
41	250726205001	COUPLING FLANGE	1		
42	3222620072	HEX. NUT	1		
43	250526307906	COUNTER SHAFT (W/O PTO PROVISION)	1		
54	250526305414	2ND GEAR COUNTER SHAFT	1		
55	250526305415	3RD GEAR COUNTER SHAFT	1		

CHASSIS TYPE: 412073; 412081; 412073; 412052; 412074; 412080; 412076



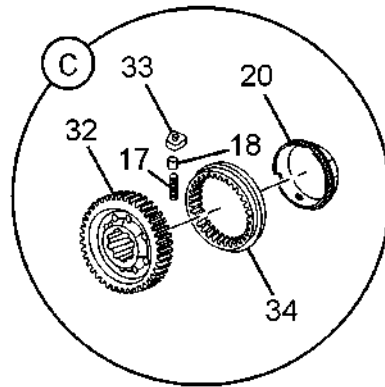
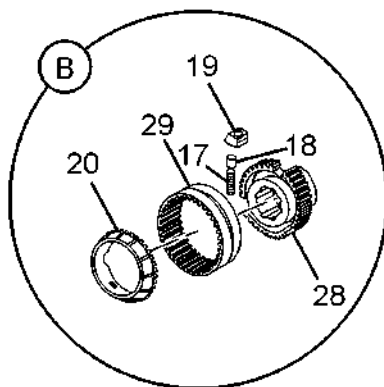
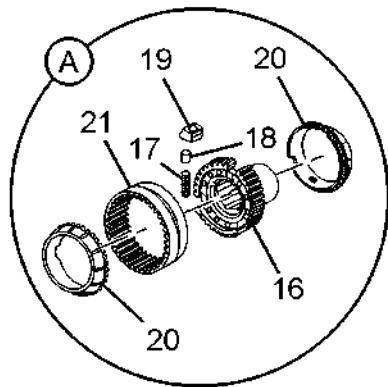
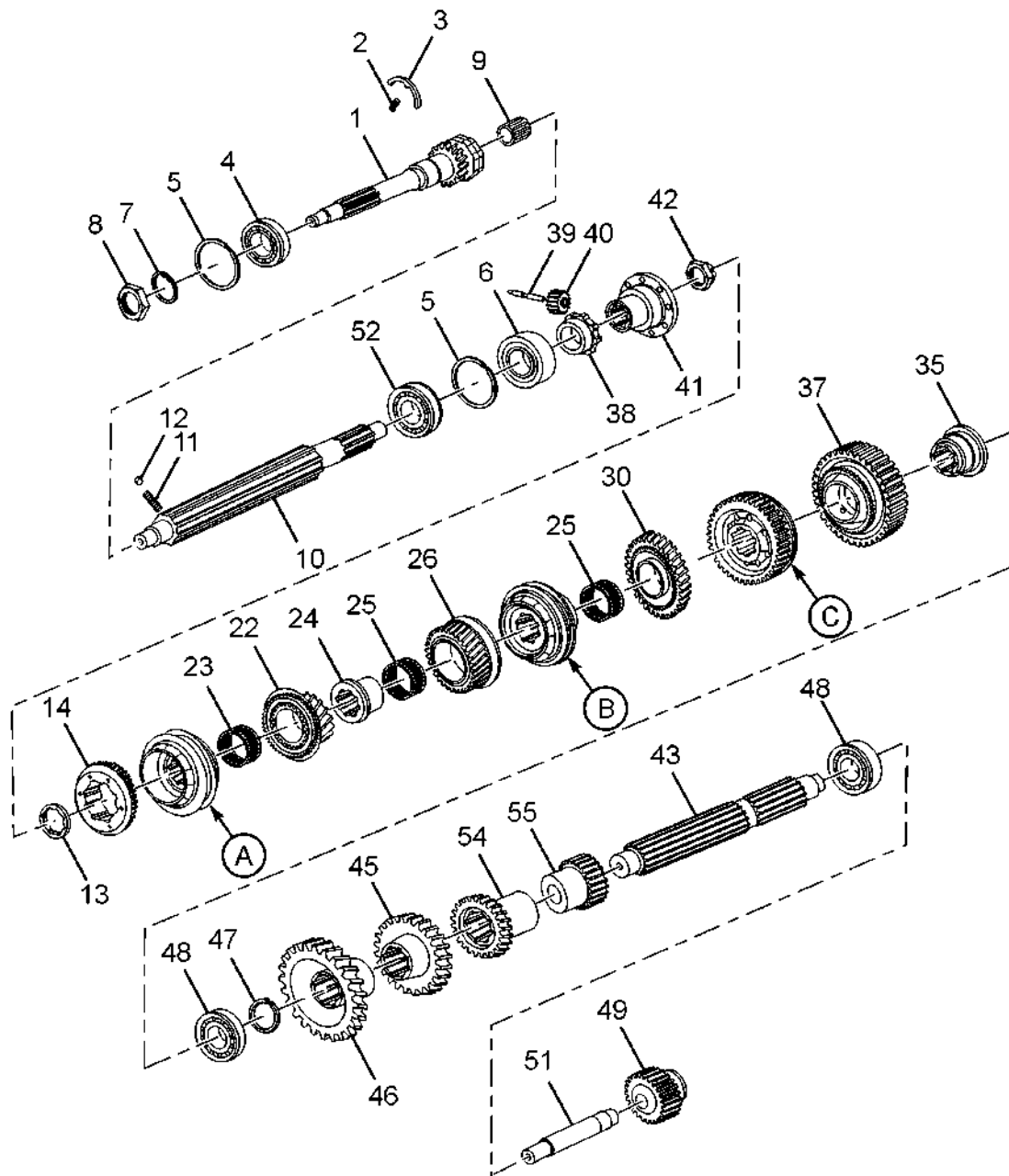
26.26.02A		GEAR SHAFT AND GEAR		GROUP 26	
CHASSIS TYPE: 412073; 412081; 412073; 412052; 412074; 412080; 412076					
FIG. NO.	PART NUMBER	DESCRIPTION	QTY	REMARKS	
45	250530145401	4TH GEAR COUNTER SHAFT	1		
46	250530145402	CONSTANT MESH GEAR (ON COUNTER SHAFT)	1		
47	14550699053	CIRCLIP A 52X2.5 TS 17637	1		
48	250526303104	TAPER ROLLER BEARING	2		
49	3222600725	REVERSE IDLE GEAR WITH BUSH	1		
	3212630450	BUSH	1		
51	250530177901	REVERSE IDLER GEAR SHAFT	1		
	885426041612	SYNCHRO KIT GBS 40 CONSISTING OF :	1		
19	-	CARRIER 4/5 & 2/3	6		
33	-	CARRIER 1ST	3		
18	-	RETENTION PIN 4/5, 2/3	6		
18	-	RETENTION PIN 1ST	3		
17	-	COMP. SPRING	9		

CHASSIS TYPE: 412091; 412271



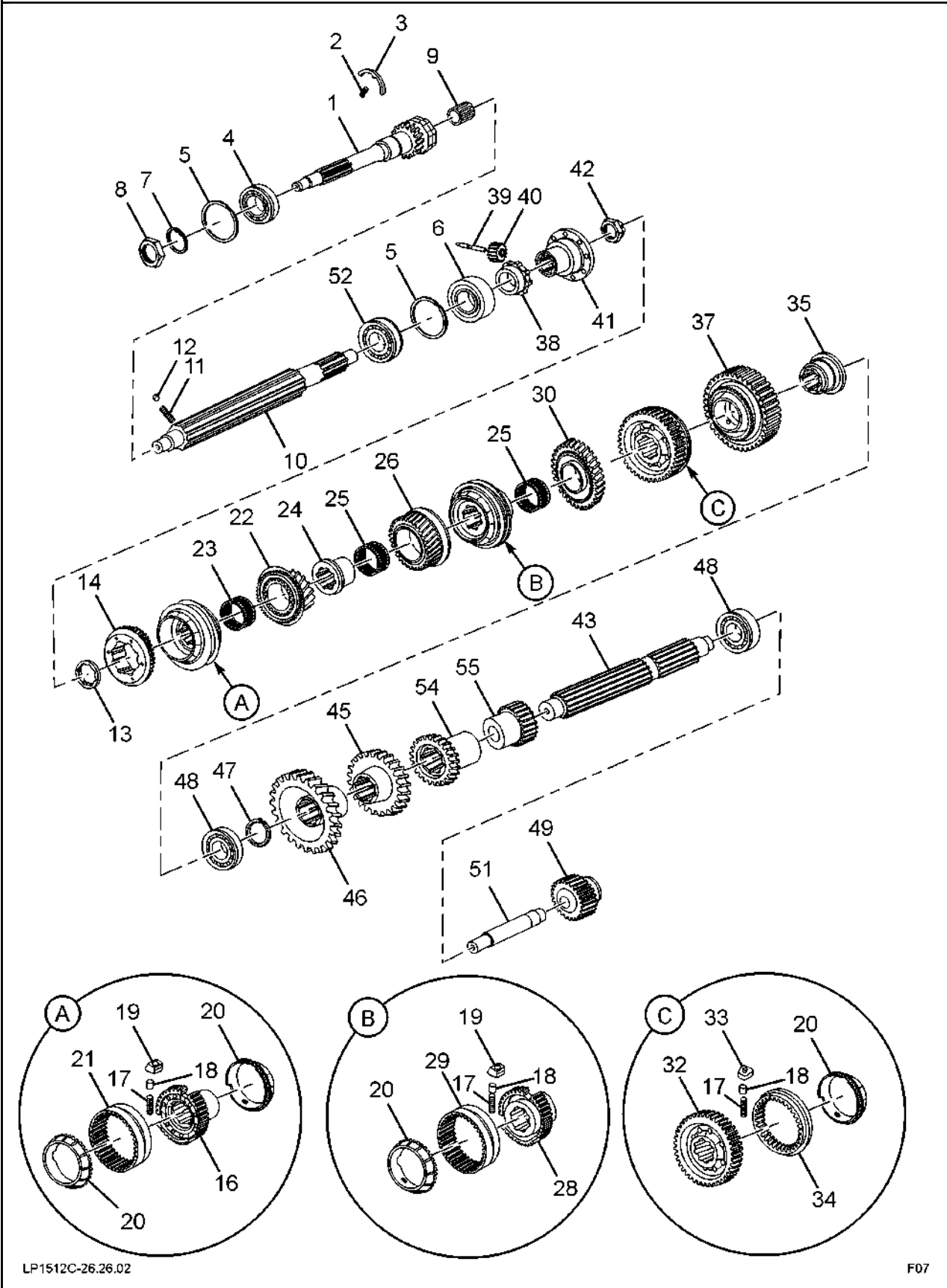
26.26.02B		GEAR SHAFT AND GEAR		GROUP 26	
CHASSIS TYPE: 412091; 412271					
FIG. NO.	PART NUMBER	DESCRIPTION	QTY	REMARKS	
1	250526257913	DRIVE SHAFT	1		
2	3219931201	COMPRESSION SPRING	1		
3	3212620073	CLAMPING PLATE	1		
4	250526203129	CYLINDRICAL ROLLER BEARING (45X100X25)	1		
5	250526204302	SNAP RING 2.68 MM THICK	2	FOR SELECTION	
5	250526204303	SNAP RING 2.73 MM THICK	2	FOR SELECTION	
5	250526204304	SNAP RING 2.78 MM THICK	2	FOR SELECTION	
5	250526204305	SNAP RING 2.83 MM THICK	2	FOR SELECTION	
5	250526204306	SNAP RING 2.88 MM THICK	2	FOR SELECTION	
5	250526204307	SNAP RING 2.93 MM THICK	2	FOR SELECTION	
7	250726258601	SPACER ON DRIVE SHAFT	1		
	250526258201	OIL SLINGER (FRONT SIDE)	1		
8	3122621172	LOCK NUT LH THREAD	1		
9	250526253118	ROLLER CAGE (LONGER) 28X48X30.8	1		
10	250526207903	MAIN SHAFT (LONGER PILOT BEARING)	1		
6	250526203106	FOUR POINT BALL BEARING	1		
52	9811201	CYLINDRICAL ROLLER BEARING	1		
11	3129931701	PRESSURE SPRING	1		
12	3212620374	PIN ON MAIN SHAFT	1		
13	3212622162	BUTTING RING 6.90 MM THICK	1	FOR SELECTION	
13	250526208608	BUTTING RING 6.95 MM THICK	1	FOR SELECTION	
13	3212622062	BUTTING RING 7.00 MM THICK	1	FOR SELECTION	
13	250526208609	BUTTING RING 7.05 MM THICK	1	FOR SELECTION	
13	3212621962	BUTTING RING 7.10 MM THICK	1	FOR SELECTION	
13	250526208610	BUTTING RING 7.15 MM THICK	1	FOR SELECTION	
13	3212621862	BUTTING RING 7.20 MM THICK	1	FOR SELECTION	
13	250526208611	BUTTING RING 7.25 MM THICK	1	FOR SELECTION	
13	3212621762	BUTTING RING 7.30 MM THICK	1	FOR SELECTION	
13	250526208612	BUTTING RING 7.35 MM THICK	1	FOR SELECTION	
13	3212620462	BUTTING RING 7.40 MM THICK	1	FOR SELECTION	
13	3212622862	BUTTING RING 7.45 MM THICK	1	FOR SELECTION	
13	3212620562	BUTTING RING 7.50 MM THICK	1	FOR SELECTION	
13	3212622962	BUTTING RING 7.55 MM THICK	1	FOR SELECTION	
13	3212620662	BUTTING RING 7.60 MM THICK	1	FOR SELECTION	
13	3212623062	BUTTING RING 7.65 MM THICK	1	FOR SELECTION	
13	3212620762	BUTTING RING 7.70 MM THICK	1	FOR SELECTION	
13	250526208613	BUTTING RING 7.75 MM THICK	1	FOR SELECTION	
13	3212622562	BUTTING RING 7.80 MM THICK	1	FOR SELECTION	
13	250526208614	BUTTING RING 7.85 MM THICK	1	FOR SELECTION	

CHASSIS TYPE: 412091; 412271



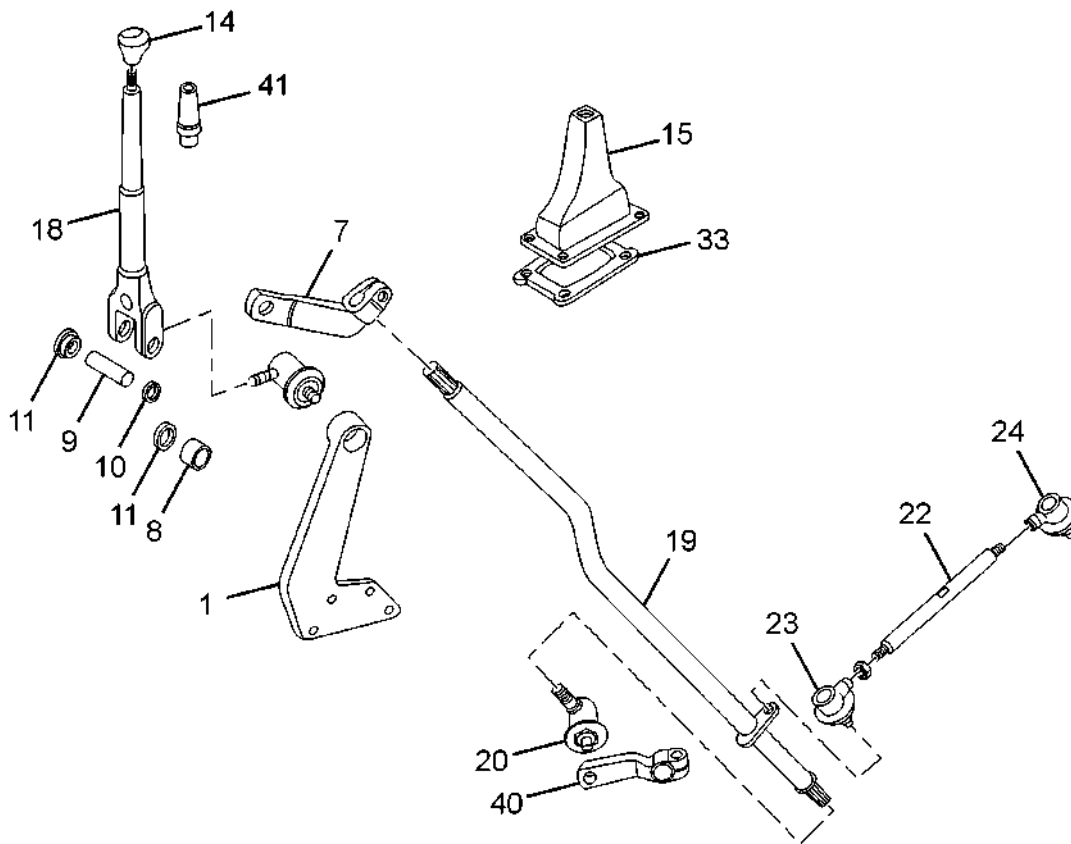
26.26.02B		GEAR SHAFT AND GEAR		GROUP 26
CHASSIS TYPE: 412091; 412271				
FIG. NO.	PART NUMBER	DESCRIPTION	QTY	REMARKS
13	3212622662	BUTTING RING 7.90 MM THICK	1	FOR SELECTION
13	250526208615	BUTTING RING 7.95 MM THICK	1	FOR SELECTION
13	3212622762	BUTTING RING 8.00 MM THICK	1	FOR SELECTION
14	3402620134	SYNCHRONISING RING	1	
16	250530155403	SYNCHRONISING SLEEVE 4TH & 5TH	1	
20	250526203802	SYNCHRONISING CONE	2	
21	3212620823	SHIFTING SLEEVE	1	
22	250530150105	ASSY. HELICAL GEAR 4TH SPEED	1	
22	250526200135	ASSY. HELICAL GEAR 4TH SPEED	1	FOR CAR CARRIER
23	250526203123	DOUBLE ROW NEEDLE CAGE	1	
24	3222624050	COLLAR BUSHING 44.5 MM LONG (FOR THIRD SPEED GEAR)	1	FOR SELECTION
24	3222624150	COLLAR BUSHING 44.6 MM LONG (FOR THIRD SPEED GEAR)	1	FOR SELECTION
25	250526203124	ROLLER CAGE (DOUBLE ROW)	1	
26	3222600644	ASSY. HELICAL GEAR 3RD SPEED	1	
26	250526200118	ASSY. HELICAL GEAR 3RD SPEED	1	FOR CAR CARRIER
28	3222620435	SYNCHRONISING SLEEVE 2/3	1	
20	250526203802	SYNCHRONISING CONE	2	
29	3212620823	SHIFTING SLEEVE	1	
25	250526203124	ROLLER CAGE (DOUBLE ROW)	1	
30	3222620112	HELICAL GEAR 2ND SPEED	1	
32	3222630333	REVERSE GEAR ON MAIN SHAFT	1	
20	250526203802	SYNCHRONISING CONE	1	
34	3212620723	SHIFTER SLEEVE 1ST SPEED	1	
35	250530153401	COLLAR BUSHING 47.2 MM LONG	1	FOR SELECTION
35	250530153402	COLLAR BUSHING 47.3 MM LONG	1	FOR SELECTION
35	250530153403	COLLAR BUSHING 47.4 MM LONG	1	FOR SELECTION
35	250530153404	COLLAR BUSHING 47.5 MM LONG	1	FOR SELECTION
35	250530153405	COLLAR BUSHING 47.6 MM LONG	1	FOR SELECTION
35	250530153406	COLLAR BUSHING 47.7 MM LONG	1	FOR SELECTION
35	250530153407	COLLAR BUSHING 47.8 MM LONG	1	FOR SELECTION
35	250530153408	COLLAR BUSHING 47.9 MM LONG	1	FOR SELECTION
37	250530155401	GEAR WHEEL 1ST SPEED	1	
38	250526200176	GEAR SPEEDOMETER DRIVE W/ OIL SLINGER	1	
39	250526207902	SHAFT (SPEEDO DRIVE)	1	
40	250526200158	SPEEDO GEAR (NYLON)	1	
41	250726205001	COUPLING FLANGE	1	
41	3222620045	COUPLING FLANGE	1	FOR CAR CARRIER
42	3222620072	HEX. NUT	1	

CHASSIS TYPE: 412091; 412271



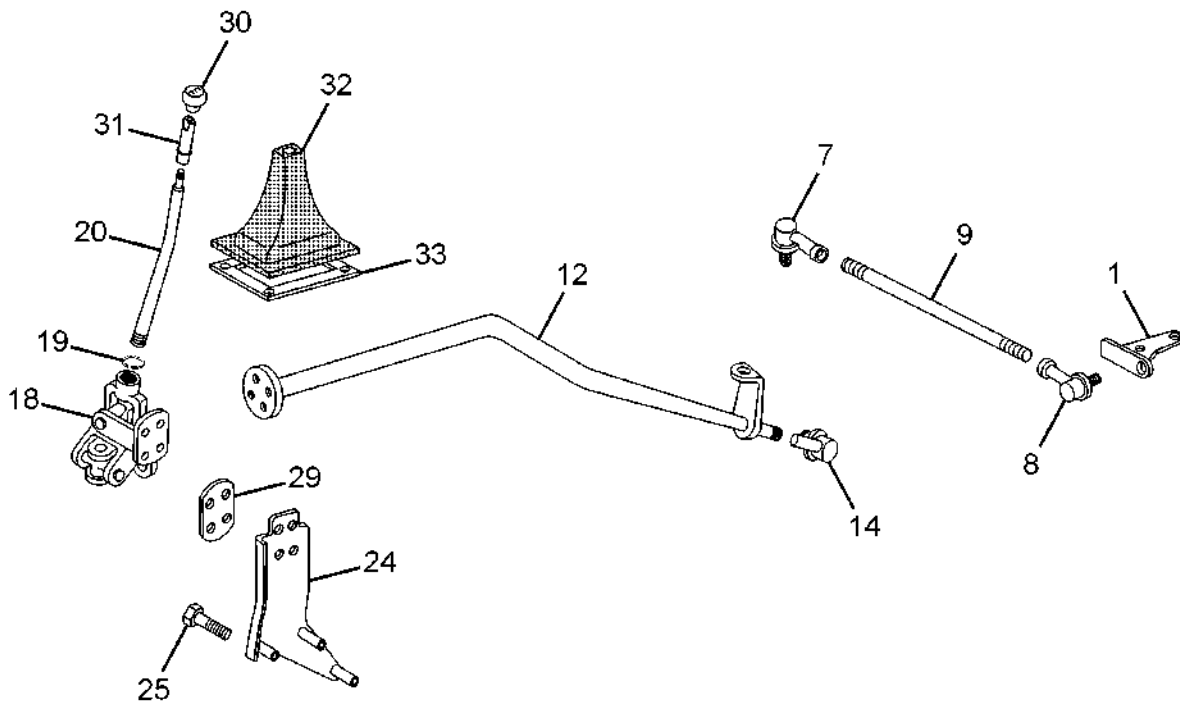
26.26.02B		GEAR SHAFT AND GEAR		GROUP 26	
CHASSIS TYPE: 412091; 412271					
FIG. NO.	PART NUMBER	DESCRIPTION	QTY	REMARKS	
43	250526307906	COUNTER SHAFT (W/O PTO PROVISION)	1		
43	250530147901	COUNTER SHAFT (FOR PTO PROVISION)	1	FOR CAR CARRIER	
54	250526305414	2ND GEAR COUNTER SHAFT	1		
55	250526305415	3RD GEAR COUNTER SHAFT	1		
54	250526305412	2ND GEAR COUNTER SHAFT	1	FOR CAR CARRIER	
55	250526305411	3RD GEAR COUNTER SHAFT	1	FOR CAR CARRIER	
45	250530145401	4TH GEAR COUNTER SHAFT	1		
45	250526305401	4TH GEAR COUNTER SHAFT	1	FOR CAR CARRIER	
46	250530145402	CONSTANT MESH GEAR (ON COUNTER SHAFT)	1		
47	14550699053	CIRCLIP A 52X2.5 TS 17637	1		
48	250526303104	TAPER ROLLER BEARING	2		
49	3222600725	REVERSE IDLE GEAR WITH BUSH	1		
	3212630450	BUSH	1		
51	250530177901	REVERSE IDLER GEAR SHAFT	1		
	885426041612	SYNCHRO KIT GBS 40 CONSISTING OF :	1		
19	-	CARRIER 4/5 & 2/3	6		
33	-	CARRIER 1ST	3		
18	-	RETENTION PIN 4/5, 2/3	6		
18	-	RETENTION PIN 1ST	3		
17	-	COMP. SPRING	9		

CHASSIS TYPE: 412073; 412081; 412073; 412052; 412074; 412080



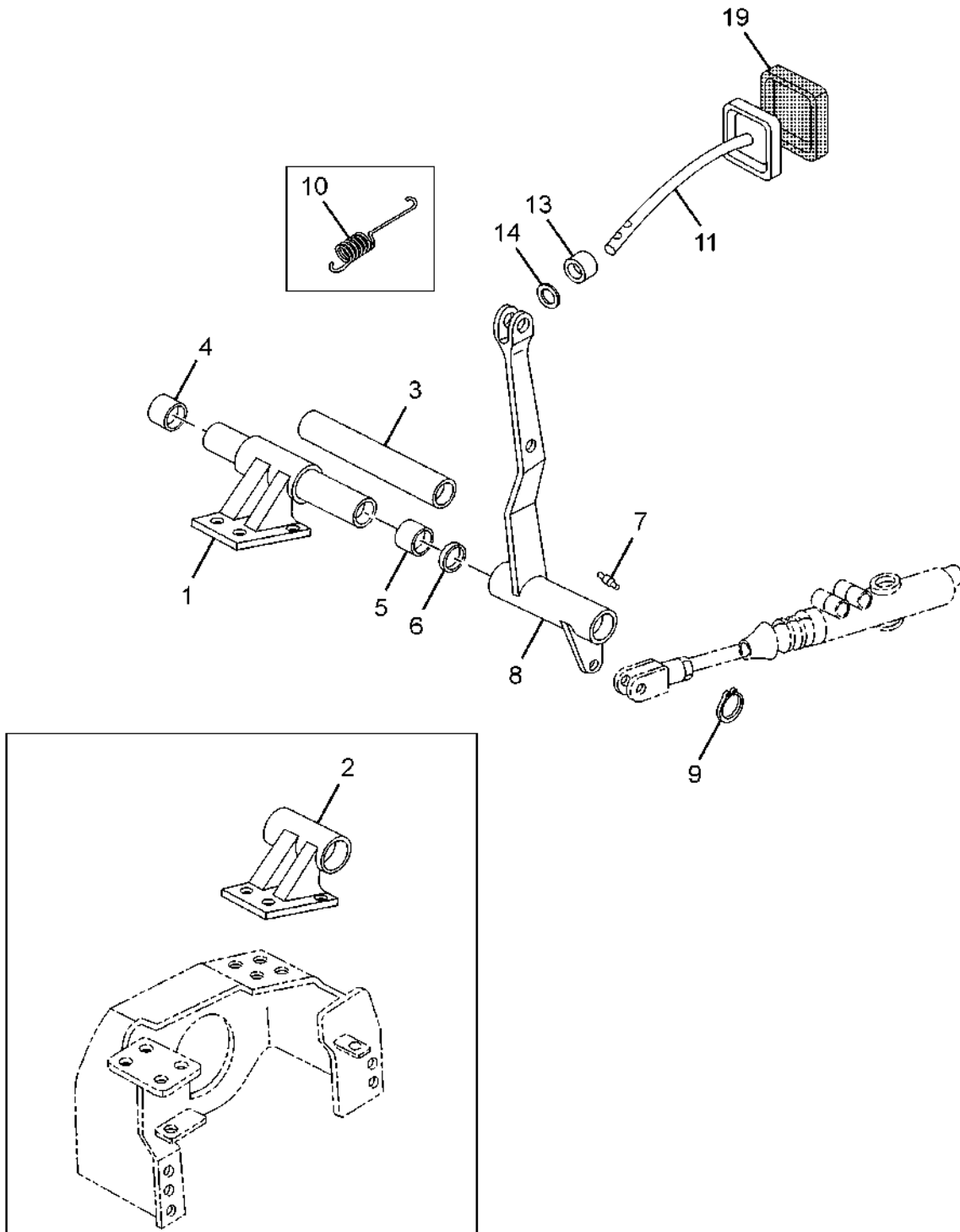
26.26.03		GEAR SHIFT LINKAGES (LP)		GROUP 26	
CHASSIS TYPE: 412073; 412081; 412073; 412052; 412074; 412080					
FIG. NO.	PART NUMBER	DESCRIPTION	QTY	REMARKS	
1	283926810101	ASSY BRACKET (G.S.LEVER MTG)	1		
7	257326805101	SELECTOR & SHIFTER YOKE	1		
8	265146603401	NEEDLE BUSH	2		
9	263026806703	PIN	1		
10	263026808601	SPACER	2		
11	265146607702	SEALING RING	2		
14	250526800123	ASSY GEAR SHIFT LEVER KNOB	1		
15	275126800152	ASSY BASE PLATE	1		
33	275126807702	REXENE BELLOW	1		
18	280826800106	ASSY. GEAR SHIFT LEVER WITH YOKE	1		
19	277026800107	ASSY. TURNING TUBE (WITHOUT BALL JOINT)	1		
20	250726700152	SUB. ASSY. BALL AND SOCKET JOINT BIG	1		
22	276326807901	LINK ROD	1		
23	264126800224	ASSY. BALL JOINT, RH THREADS	1		
24	264126800225	ASSY. BALL JOINT, LH THREADS	1		
40	250526706009	SHIFTING LEVER	1		
41	276326800113	ASSY. SPACER	1		

CHASSIS TYPE: 412091; 412271; 412076



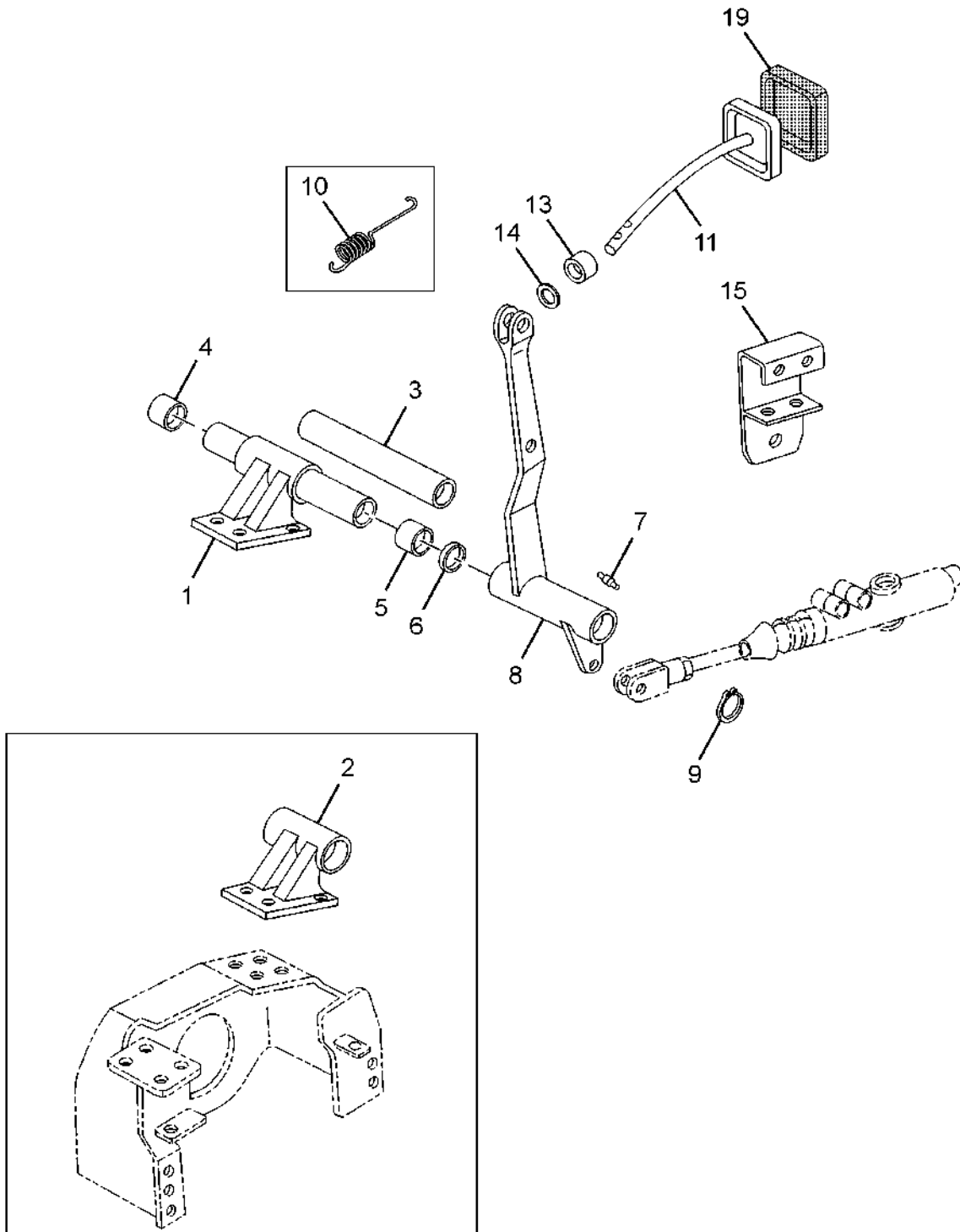
26.26.04		GEAR SHIFT LINKAGES (LPO)		GROUP 26
CHASSIS TYPE: 412091; 412271; 412076				
FIG. NO.	PART NUMBER	DESCRIPTION	QTY	REMARKS
1	275526710101	ASSY. BRACKET (ON GEAR BOX TOP COVER)	1	
7	264126800224	ASSY. BALL JOINT RH THREADS	1	
8	264126800225	ASSY. BALL JOINT LH THREADS	1	
9	276326807901	LINK ROD	1	
12	207326800117	ASSY. TURNING TUBE (W/O BALL JOINT)	1	
14	250726700151	ASSY. BALL & SOCKET FRONT SMALL	1	
18	276326800110	ASSY. HOUSING BLOCK	1	
19	257326808701	SPRING RING (GEAR SHIFT LEVER)	1	
20	276326809901	GEAR SHIFT LEVER	1	
24	207326800111	ASSY. BRACKET	1	
25	276326808003	FLANGED BOLT WITH SERRATIONS (BRACKET TO ENGINE)	3	
29	275026805303	GASKET	1	
30	250526800123	ASSY. GEAR SHIFT LEVER KNOB	1	
31	276326800113	ASSY. SPACER (G.S. LEVER)	1	
32	276326800112	ASSY. RUBBER BELLOW	1	
33	276326800114	ASSY. CLAMPING PLATE (RUBBER BELLOW)	1	

CHASSIS TYPE: 412073; 412081; 412073; 412052; 412074; 412080



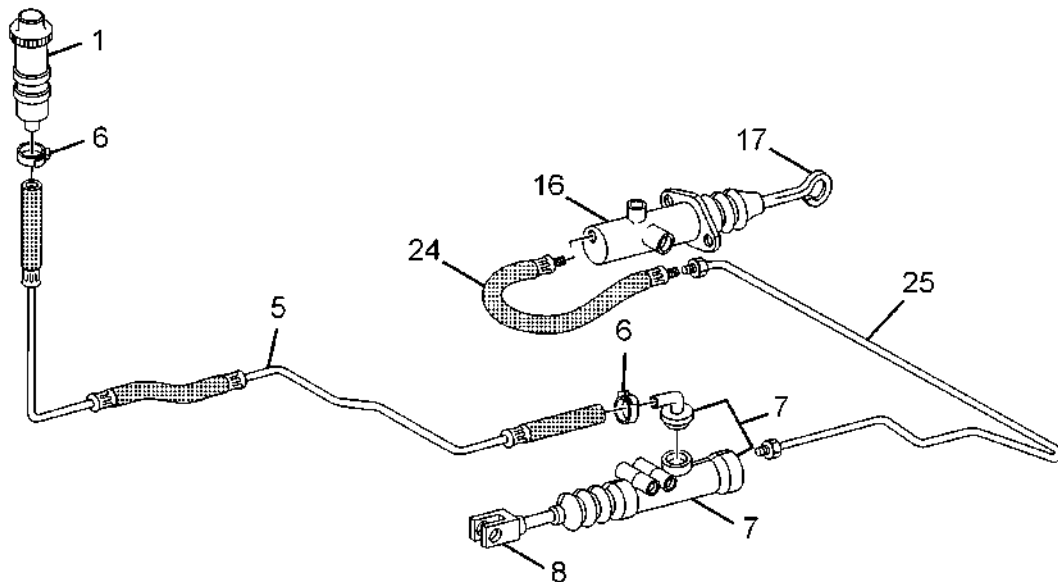
29.29.01A		PEDALS		GROUP 29	
CHASSIS TYPE: 412073; 412081; 412073; 412052; 412074; 412080					
FIG. NO.	PART NUMBER	DESCRIPTION	QTY	REMARKS	
1	207429100102	ASSY. CONTROL MOUNTING BRACKET WITH TUBE	1		
2	257129500120	ASSY. CONTROLS MOUNTING BRACKET	1		
3	278229500101	ASSY. BEARING TUBE	1		
4	0423260053J	BUSH	2		
5	275029503402	BUSH	2		
6	257329509201	WASHER	1		
7	17170701003	GREASE NIPPLE BM 10X1	1		
8	261829100114	ASSY. CLUTCH PEDAL LEVER COMPLETE	1		
9	14550604010	EXTERNAL CIRCLIP 40X1.75	1		
10	278229308701	RETURE SPRING (CLUTCH CONTROL)	1		
11	278229100117	ASSY. PEDAL PLATE, CLUTCH	1		
13	3222930077	WASHER BRAKE PEDAL	1		
14	3122911197	SEALING WASHER CLUTCH PEDAL	1		
19	3202925082	RUBBER COVER CLUTCH PEDAL	1		

CHASSIS TYPE: 412091; 412271; 412076



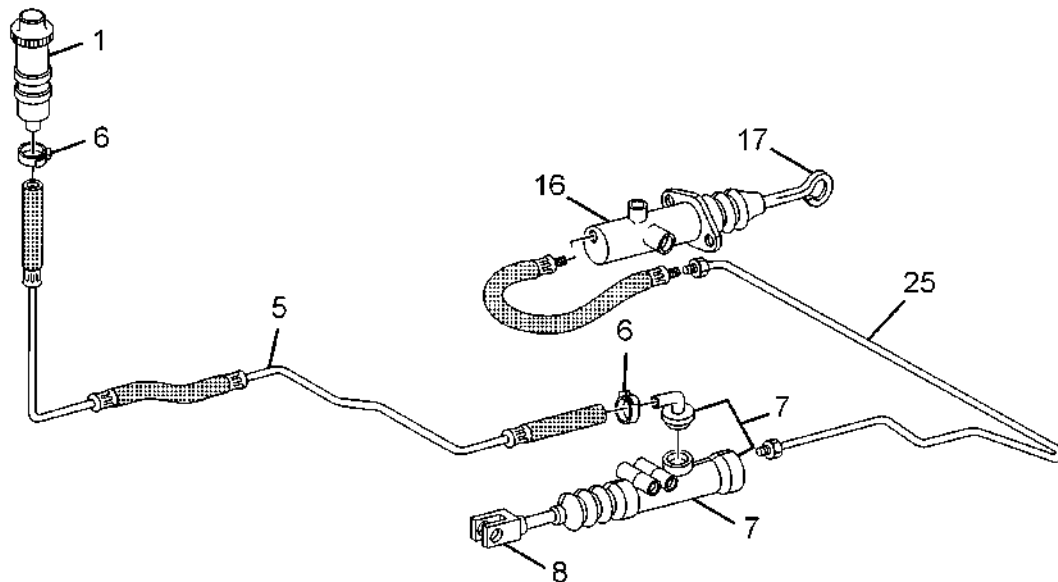
29.29.01B		PEDALS		GROUP 29	
CHASSIS TYPE: 412091; 412271; 412076					
FIG. NO.	PART NUMBER	DESCRIPTION	QTY	REMARKS	
1	275029500101	ASSY.SUPPORT PEDAL WITH TUBE	1	SERVICED UNDER PART NO.275029500101	
2	275029500107	ASSY. CONTROLS MOUNTING BRACKET	1		
3	275029500102	ASSY. BEARING TUBE	1		
4	0423260053J	BUSH	2		
5	275029503402	BUSH	2		
6	257329509201	WASHER	1		
7	17170601009	GREASE NIPPLE AM 10X1	1		
8	207329100106	ASSY. CLUTCH PEDAL LEVER COMPLETE	1		
9	14550604010	EXTERNAL CIRCLIP 40X1.75	1		
10	260829308701	SPRING	1		
11	275029100108	ASSY. PEDAL PLATE, CLUTCH	1		
13	3222930077	WASHER BRAKE PEDAL	1		
14	3122911197	SEALING WASHER CLUTCH PEDAL	1		
15	207329500106	ASSY. BRACKET (FOR MASTER CYLINDER MOUNTING)	1		
19	3202925082	RUBBER COVER CLUTCH PEDAL	1		

CHASSIS TYPE: 412073; 412081; 412073; 412052; 412074; 412080



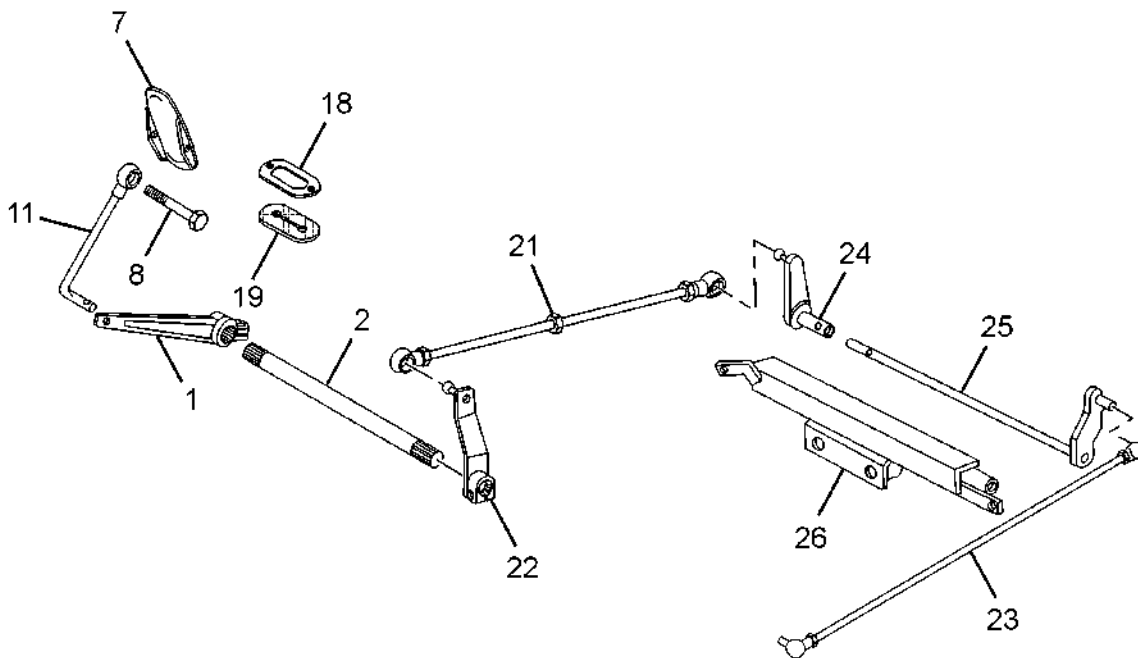
29.29.02A		HYDRAULIC CLUTCH CONTROL		GROUP 29
CHASSIS TYPE: 412073; 412081; 412073; 412052; 412074; 412080				
FIG. NO.	PART NUMBER	DESCRIPTION	QTY	REMARKS
1	263029100103	ASSY. REFILLING CONTAINER COMPLETE	1	
5	208529100102	ASSY. CONNECTING LINE (FOR HYD. CLUTCH)	1	FOR JSR PRODN. VEH.
5	261829100121	ASSY PIPE (CL.FL.CONT.TO M/CYL)	1	FOR PUNE PRODN. VEH.
6	14270201904	HOSE CLIP 19 TS 17669	2	
7	261829100107	ASSY. MASTER CYLINDER 25.4 DIA.	1	
8	261829100117	ASSY. FORK WITH ROD	1	
16	251029300102	ASSY. SLAVE CYLINDER	1	
17	277029106002	PULL ROD	1	
24	257442910161	ASSY RUBBER HOSE (CLUTCH M/CYL. TO CLUTCH SL/CYL.)	1	FOR PUNE PRODN. VEH.
25	277029100124	ASSY PIPE (M/CYL TO SL/CYL)	1	FOR PUNE PRODN. VEH.
25	208529100101	ASSY PIPE (M/CYL TO SL/CYL)	1	FOR JSR PRODN. VEH.
25	208529100104	ASSY. TUBE 6 O.D. X 2150 LG	1	FOR LKN PRODN. VEH.
	261829100109	MAJOR REPAIR KIT FOR CLUTCH MASTER CYLINDER CONSISTING OFF :	1	
	-	PLUNGER	1	
	-	SEAL	1	
	-	SHIM	1	
	-	SEAL	1	
	-	SPRING	1	
	-	CIRCLIP	1	
	-	SEAL (FOR FLUID TANK)	1	
	-	DUST COVER	1	
	261829100110	MINOR REPAIR KIT FOR CLUTCH MASTER CYLINDER CONSISTING OFF :	1	
	-	SEAL	1	
	-	SEAL	1	
	-	SEAL (FOR FLUID TANK)	1	
	-	DUST COVER	1	
	257329100161	REPAIR KIT FOR SLAVE CYLINDER CONSISTING OFF :	1	
	-	CIRCLIP	1	
	-	GLAND SEAL	1	
	-	DUST COVER	1	
	-	GREASE TUBE	1	

CHASSIS TYPE: 412091; 412271; 412076



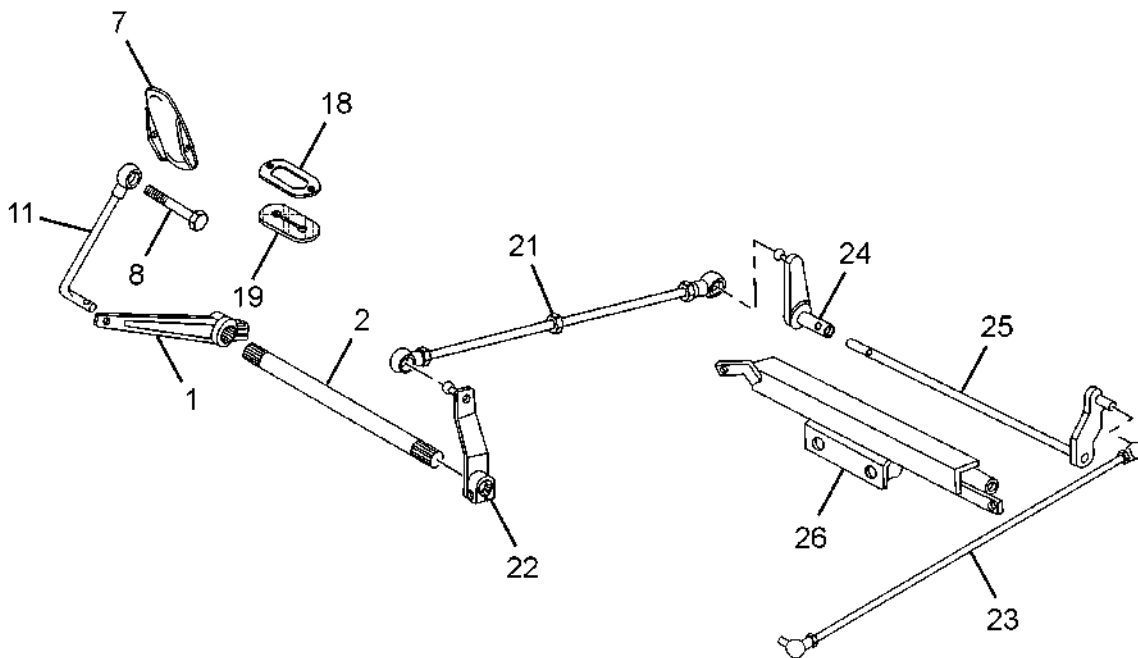
29.29.02B		HYDRAULIC CLUTCH CONTROL		GROUP 29
CHASSIS TYPE: 412091; 412271; 412076				
FIG. NO.	PART NUMBER	DESCRIPTION	QTY	REMARKS
1	257343100156	ASSY. REFILLING CONTAINER COMPLETE	1	
	257343100151	ASSY. CAP	1	
5	206829100101	ASSY. CONNECTING LINE	1	
6	14270201904	HOSE CLIP 19 TS 17669	2	
7	261829100107	ASSY. MASTER CYLINDER 25.4 DIA.	1	
8	257329100172	ASSY. FORK WITH ROD	1	
16	251029300102	ASSY. SLAVE CYLINDER	1	
17	275529106001	PUSH ROD	1	
25	207329100102	ASSY. TUBE 6 O.D. X 2060 LG.	1	
	261829100109	MAJOR REPAIR KIT FOR CLUTCH MASTER CYLINDER CONSISTING OFF :	1	
	-	PLUNGER	1	
	-	SEAL	1	
	-	SHIM	1	
	-	SEAL	1	
	-	SPRING	1	
	-	CIRCLIP	1	
	-	SEAL (FOR FLUID TANK)	1	
	-	DUST COVER	1	
	261829100110	MINOR REPAIR KIT FOR CLUTCH MASTER CYLINDER CONSISTING OFF :	1	
	-	SEAL	1	
	-	SEAL	1	
	-	SEAL (FOR FLUID TANK)	1	
	-	DUST COVER	1	
	257329100161	REPAIR KIT FOR SLAVE CYLINDER CONSISTING OFF :	1	
	-	CIRCLIP	1	
	-	GLAND SEAL	1	
	-	DUST COVER	1	
	-	GREASE TUBE	1	

CHASSIS TYPE: 412073; 412081; 412073; 412052; 412074; 412080



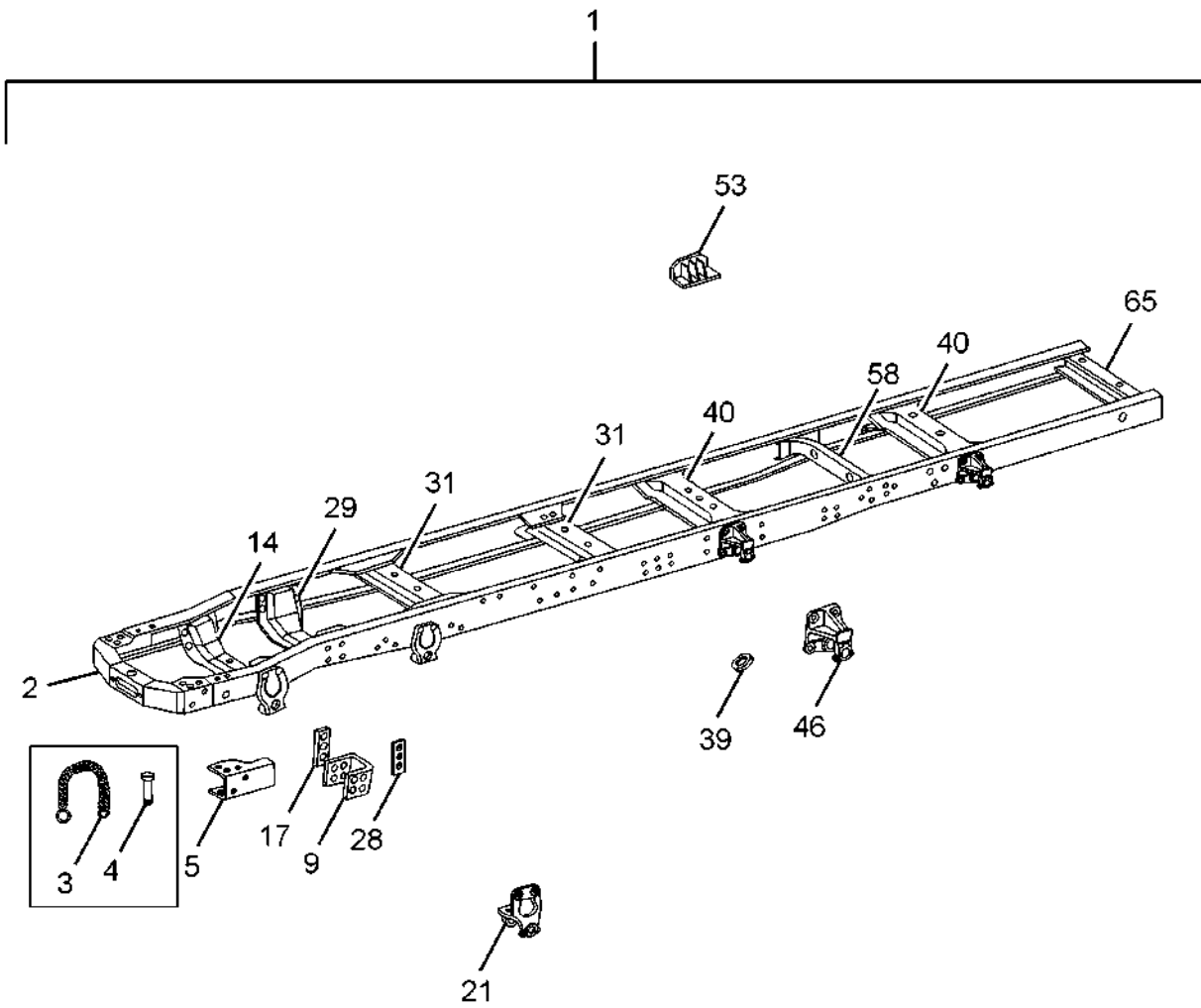
30.30.01A		ACCELERATOR CONTROL		GROUP 30
CHASSIS TYPE: 412073; 412081; 412073; 412052; 412074; 412080				
FIG. NO.	PART NUMBER	DESCRIPTION	QTY	REMARKS
1	278230100105	ASSY. LEVER ACCELERATOR PEDAL	1	
2	257130107903	SHAFT ACCELERATOR PEDAL	1	
7	257630103804	ACCELERATOR PEDAL	1	UPTO DEC'2005
7	280630100109	ASSY.ACCELERATOR PEDAL COMPLETE WITH COVER	1	FROM JAN'2006
	264130107701	COVER (FOR ACCL.PEDAL)	1	FOR 280630100109
	276330100111	ASSY. STOPPER (PEDAL STOPPER ON FLOOR)	1	
8	257630106705	PIN (PEDAL TO BRACKET)	1	FOR 257630103804
11	278230100106	ASSY. THRUST ROD (L=251)	1	
18	206081508201	RETAINING PLATE (TO FLOOR)	1	
19	257681506305	RUBBER PAD (TO FLOOR)	1	
21	277030100114	ASSY. PULL ROD (ACCL. CONTROL L = 885)	1	UPTO MAR'06
21	283930100106	ASSY. PULL ROD (ACCL. CONTROL L = 885)	1	FROM APR'06
22	275030100102	ASSY. ACCELERATOR LEVER	1	
23	277030100117	ASSY. PULL ROD (L = 735)	1	REPLACED BY 283930100107
24	277030100115	ASSY LEVER WITH BALL PIN	1	
25	277030100116	ASSY. CONTROL SHAFT	1	
26	275130100118	ASSY. BRACKET	1	
	259934108701	JAW SPRING	1	
	276330103301	BRACKET (ON TIMING G.B.COVER FOR ACCL.)	1	

CHASSIS TYPE: 412091; 412271; 412076



30.30.01B		ACCELERATOR CONTROL		GROUP 30	
CHASSIS TYPE: 412091; 412271; 412076					
FIG. NO.	PART NUMBER	DESCRIPTION	QTY	REMARKS	
1	275030100101	ASSY. LEVER ACCELERATOR PEDAL	1		
2	257130107903	SHAFT ACCELERATOR PEDAL	1		
7	257630103804	ACCELERATOR PEDAL	1	UPTO DEC'2005	
7	280630100109	ASSY.ACCELERATOR PEDAL COMPLETE WITH COVER	1	FROM JAN'2006	
	264130107701	COVER (FOR ACCL.PEDAL)	1	FOR 280630100109	
	276330100111	ASSY. STOPPER (PEDAL STOPPER ON FLOOR)	1		
8	257630106705	PIN (PEDAL TO BRACKET)	1	FOR 257630103804	
11	275030100129	ASSY. THRUST ROD	1		
18	206081508201	RETAINING PLATE (TO FLOOR)	1		
19	257681506305	RUBBER PAD (TO FLOOR)	1		
21	275030100117	ASSY. PULL ROD (ACC. CONTROL)	1		
22	275030100102	ASSY. ACCELERATOR LEVER	1		
23	275430100118	ASSY. PULL ROD	1		
24	275030100133	ASSY LEVER WITH BALL PIN	1		
25	207330100111	ASSY. CONTROL SHAFT	1		
26	207330100110	ASSY. BRACKET	1		
	259934108701	JAW SPRING	1		
	276330103301	BRACKET (ON TIMING G.B.COVER FOR ACCL.)	1		

CHASSIS TYPE: 412052



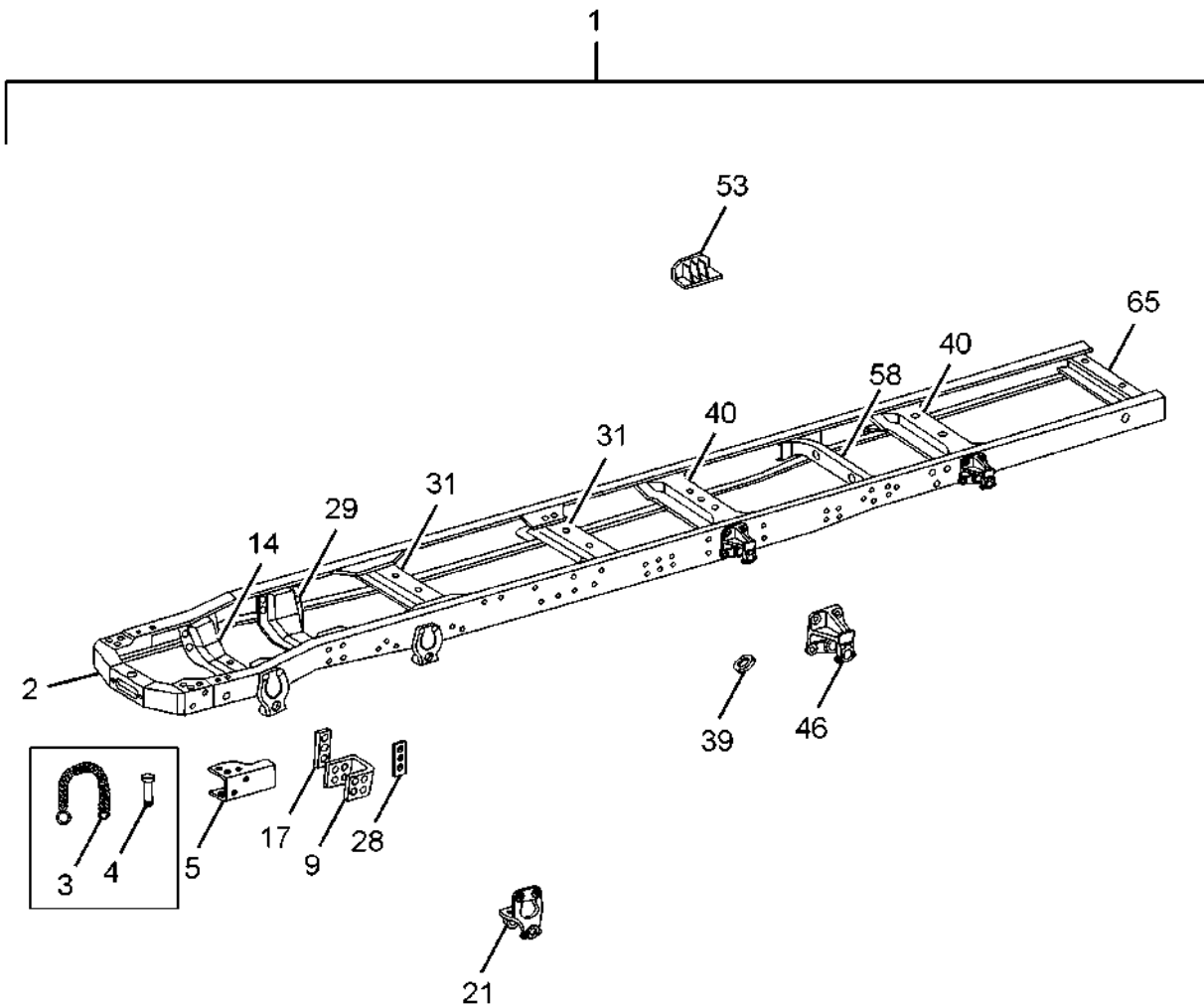
31.31.01A		FRAME		GROUP 31	
CHASSIS TYPE: 412052					
FIG. NO.	PART NUMBER	DESCRIPTION	QTY	REMARKS	
1	277031000121	ASSY FRAME COMPLETE 1512TC/42 E-II	1		
2	206031200110	ASSY. BUMPER CROSS MEMBER	1		
3	3043100207	ASSY CHAIN WITH RING & LOCKING HOOK	1		
4	0423150006J	COUPLING PIN	1		
5	207431200103	ASSY.GUSSET-RH	1		
5	207431200104	ASSY.GUSSET-LH	2		
9	277031200116	ASSY. SUPPORT (ENG. CROSS MEMBER FRONT)	2		
14	277031200115	ASSY. ENGINE CROSS MEMBER FRONT	1		
17	275131208202	PACKING SHEET	AR		
17	275131208203	PACKING SHEET	AR		
	3219901901	HEX. SCREW	4		
21	0423220401J	FRONT SPRING BRACKET FRONT & REAR	4		
28	278231208201	PACKING PLATE (1.6 THK)	AR		
28	278231208202	PACKING PLATE (3.15 THK)	AR		
29	277031200113	ASSY. ENGINE CROSS MEMBER REAR	1		
	277031207131	SUPPORT ENGINE CROSS MEMBER (REAR)	2		
	277031200114	ASSY SPACER (ENGINE CROSS MEMBER REAR)	2		
	263231207140	REINFORCEMENT - BOTTOM LH	1		
	263231207141	REINFORCEMENT - BOTTOM RH	1		
	263231200126	ASSY C.B. CROSS MEMBER WITH REINFORCEMENT	1		
31	263231200105	ASSY. CROSS MEMBER WITH SUPPORT	1		
31	257331208216	CROSS MEMBER (W/O SUPPORT & REINFORCEMENT)	1		
39	0423120076J	WASHER	16		
40	263231200120	ASSY. CROSS MEMBER (REAR SPRING)	2		
	257531207122	SUPPORT CROSS MEMBER	2		
46	3523250101	REAR SPRING BRACKET REAR	3		
	3583250001	REAR SPRING BRACKET FRONT	1		
53	280631200109	ASSY STOPPER BRACKET	2		

31.31.01A

FRAME

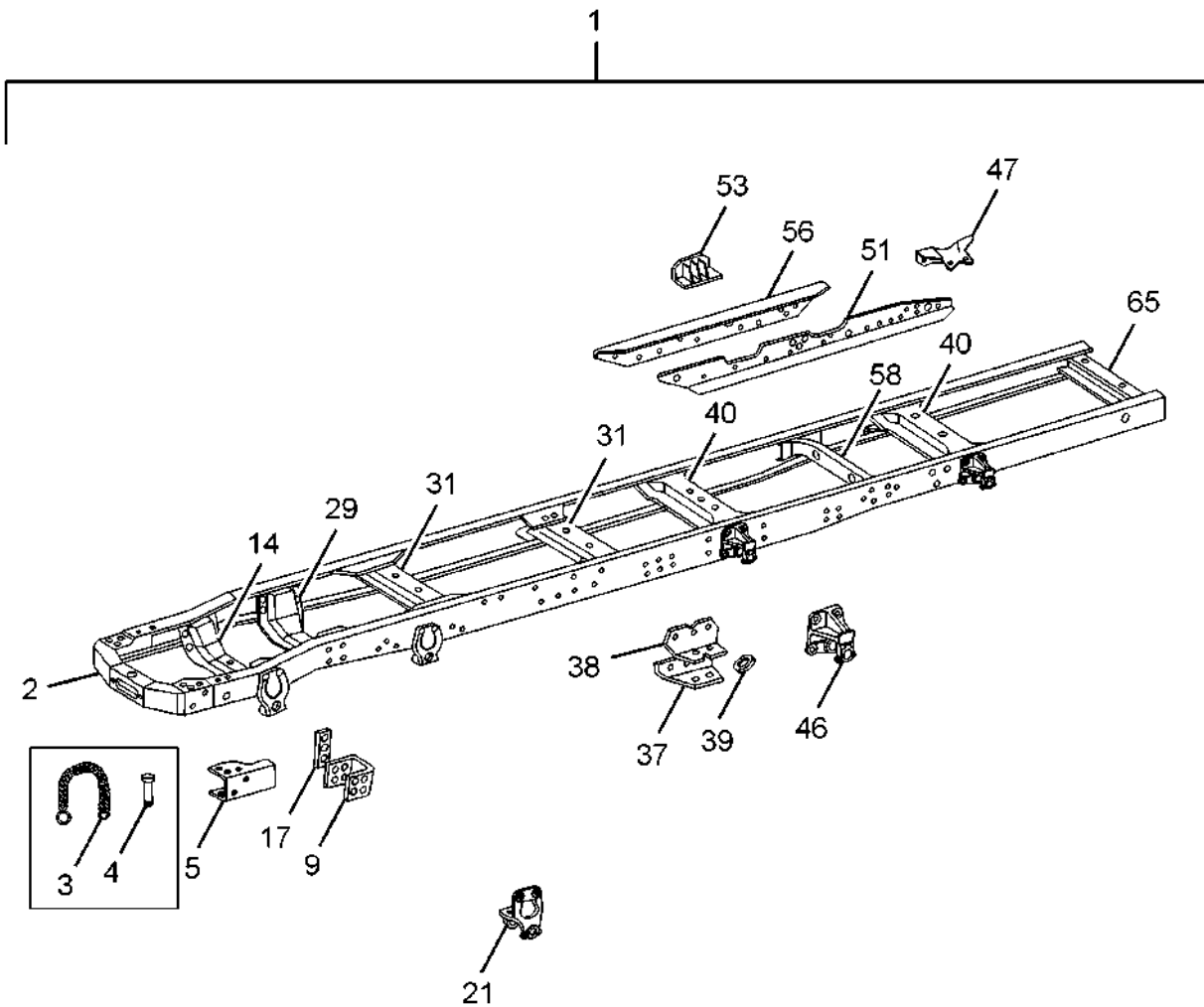
GROUP 31

CHASSIS TYPE: 412052



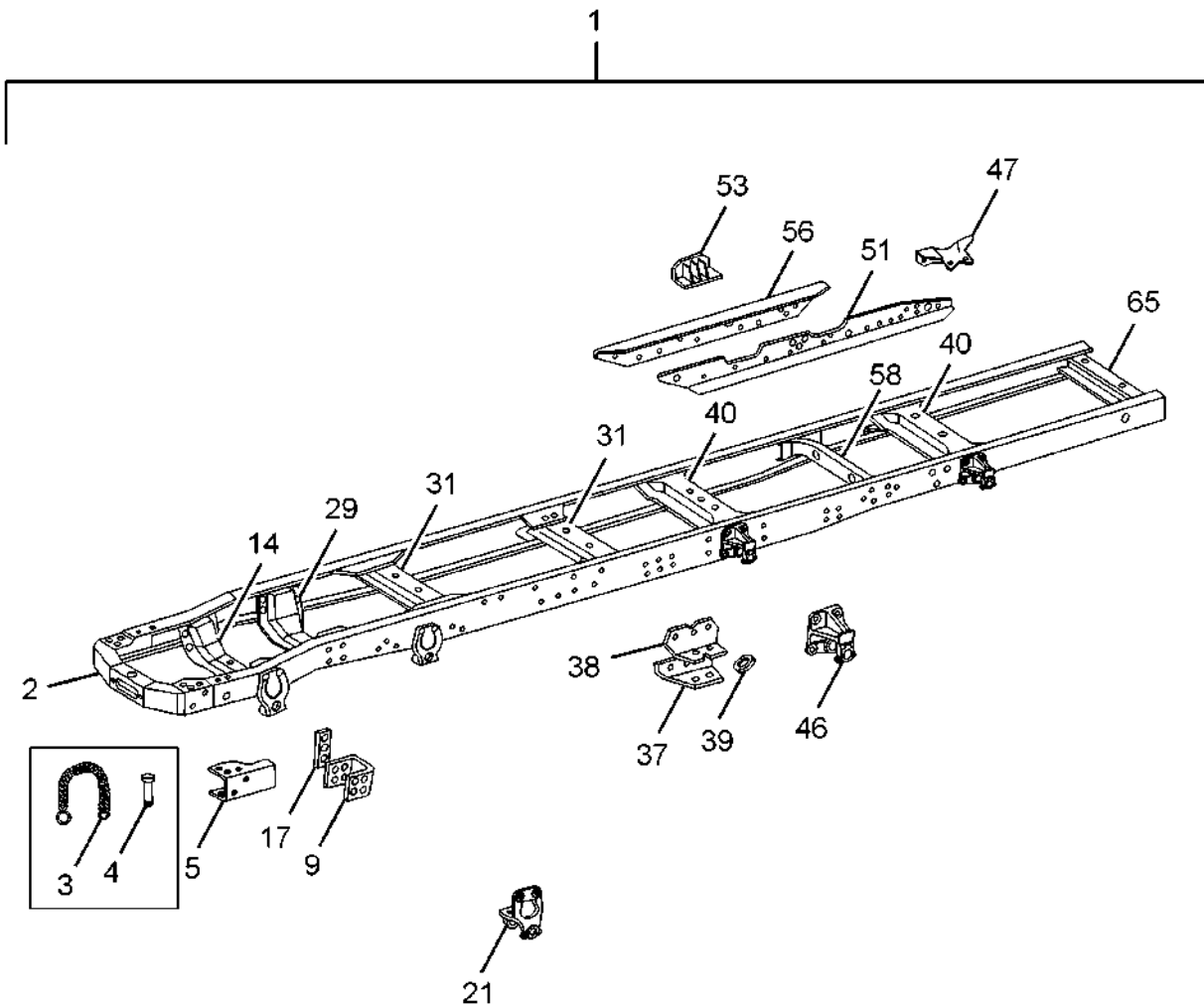
31.31.01A		FRAME		GROUP 31	
CHASSIS TYPE: 412052					
FIG. NO.	PART NUMBER	DESCRIPTION	QTY	REMARKS	
58	257131200114	ASSY. CROSS MEMBER (SHOCK ABSORBER)	1		
	257131208223	END PLATE	AR		
	257131208224	END PLATE	AR		
65	263231700104	ASSY. END CROSS MEMBER	1		
	284131700105	ASSY SUPPORT BRACKET (FRT. ENGINE SIDE)-BOTTOM SHIELD	2		
	207431700101	ASSY.BOTTOM SHIELD (ENGINE)	1		
	207431700102	ASSY.TRANSMISSION SHIELD(FRONT SIDE)	1		
	207431700108	ASSY TRANSMISSION SHIELD(REAR SIDE)	1		
	207431700104	ASSY SUPPORT BRACKET (ENGINE SIDE)	2		
	207431700110	ASSY SUPPORT BRACKET (TRANS SIDE)-RH	1		
	207431700111	ASSY SUPPORT BRACKET (TRANS SIDE)-LH	1		
	207431700107	ASSY SUPPORT BRACKET.(REAR TRANS. SIDE)	2		

CHASSIS TYPE: 412073; 412073; 412074



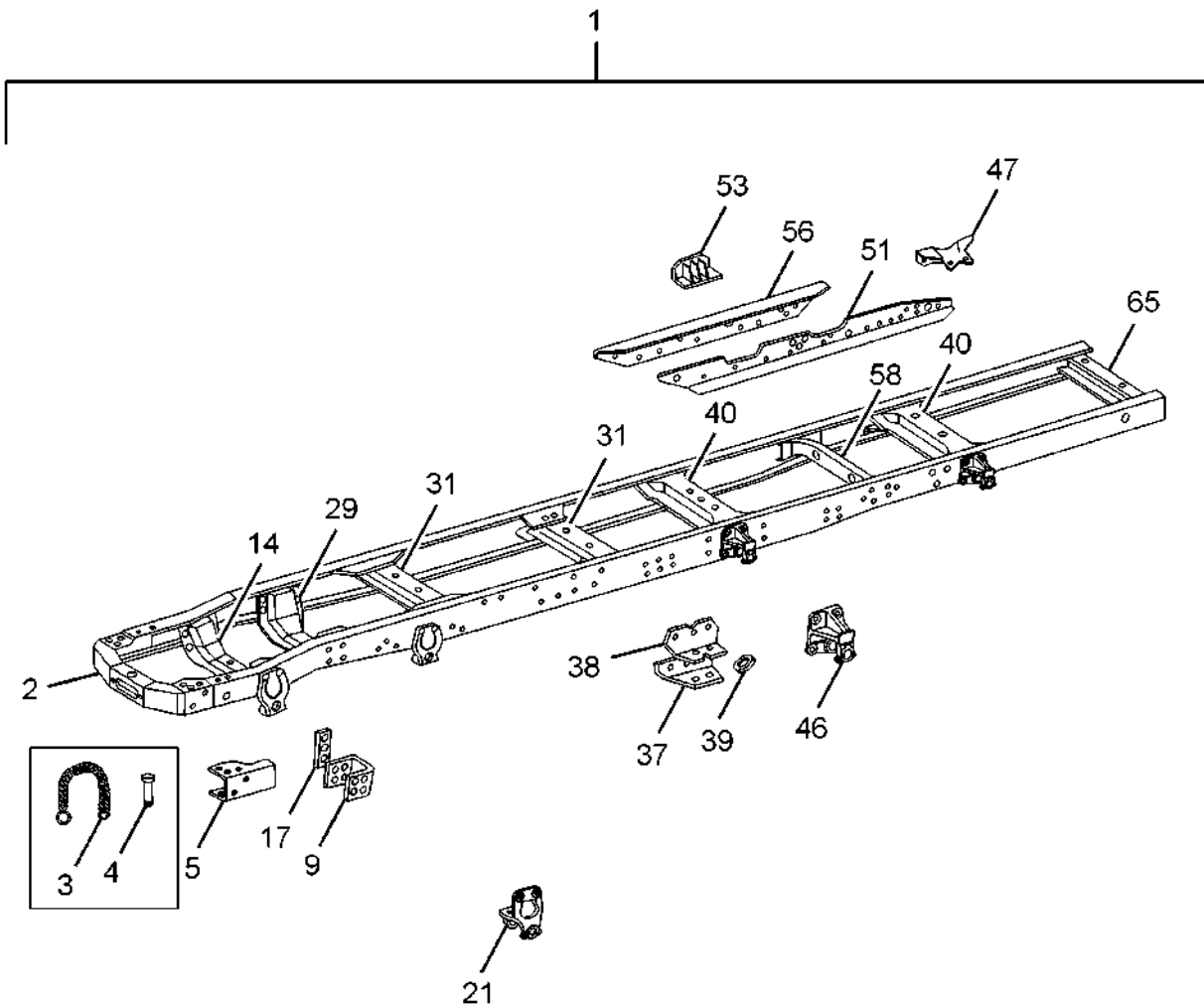
31.31.01B		FRAME		GROUP 31	
CHASSIS TYPE: 412073; 412073; 412074					
FIG. NO.	PART NUMBER	DESCRIPTION	QTY	REMARKS	
1	277031000123	ASSY FRAME COMPLETE	1		
1	277031000120	ASSY FRAME COMPLETE (60 % ROH)	1	FOR MSRTC	
2	206031200110	ASSY. BUMPER CROSS MEMBER	1		
3	3043100207	ASSY CHAIN WITH RING & LOCKING HOOK	1		
4	0423150006J	COUPLING PIN	1		
5	277031200110	ASSY GUSSET RH	1	FOR MSRTC	
5	207431200103	ASSY.GUSSET-RH	1		
5	277031200111	ASSY GUSSET LH	1	FOR MSRTC	
5	207431200104	ASSY.GUSSET-LH	2		
9	277031200116	ASSY. SUPPORT (ENG. CROSS MEMBER FRONT)	2		
14	277031200115	ASSY. ENGINE CROSS MEMBER FRONT	1		
17	275131208202	PACKING SHEET	AR		
17	275131208203	PACKING SHEET	AR		
	3219901901	HEX. SCREW	4		
21	0423220401J	FRONT SPRING BRACKET FRONT & REAR	4		
29	277031200113	ASSY. ENGINE CROSS MEMBER REAR	1		
	277031207131	SUPPORT ENGINE CROSS MEMBER (REAR)	2		
	277031200114	ASSY SPACER (ENGINE CROSS MEMBER REAR)	2		
	263231207140	REINFORCEMENT - BOTTOM LH	1		
	263231207141	REINFORCEMENT - BOTTOM RH	1		
	263231200126	ASSY C.B. CROSS MEMBER WITH REINFORCEMENT	1		
31	263231200105	ASSY. CROSS MEMBER WITH SUPPORT	1		
31	257331208216	CROSS MEMBER (W/O SUPPORT & REINFORCEMENT)	1		
	276331200104	ASSY. CROSS MEMBER.	1		
37	257331207101	SUPPORT BOTTOM	2		
38	257431207134	SUPPORT TOP	2		
39	0423120076J	WASHER	16		
40	257331208212	CROSS MEMBER REAR SPRING	2		
	257531207122	SUPPORT CROSS MEMBER	2		
46	3523250101	REAR SPRING BRACKET REAR	4		
47	257131207106	REINFORCEMENT	4		

CHASSIS TYPE: 412073; 412073; 412074



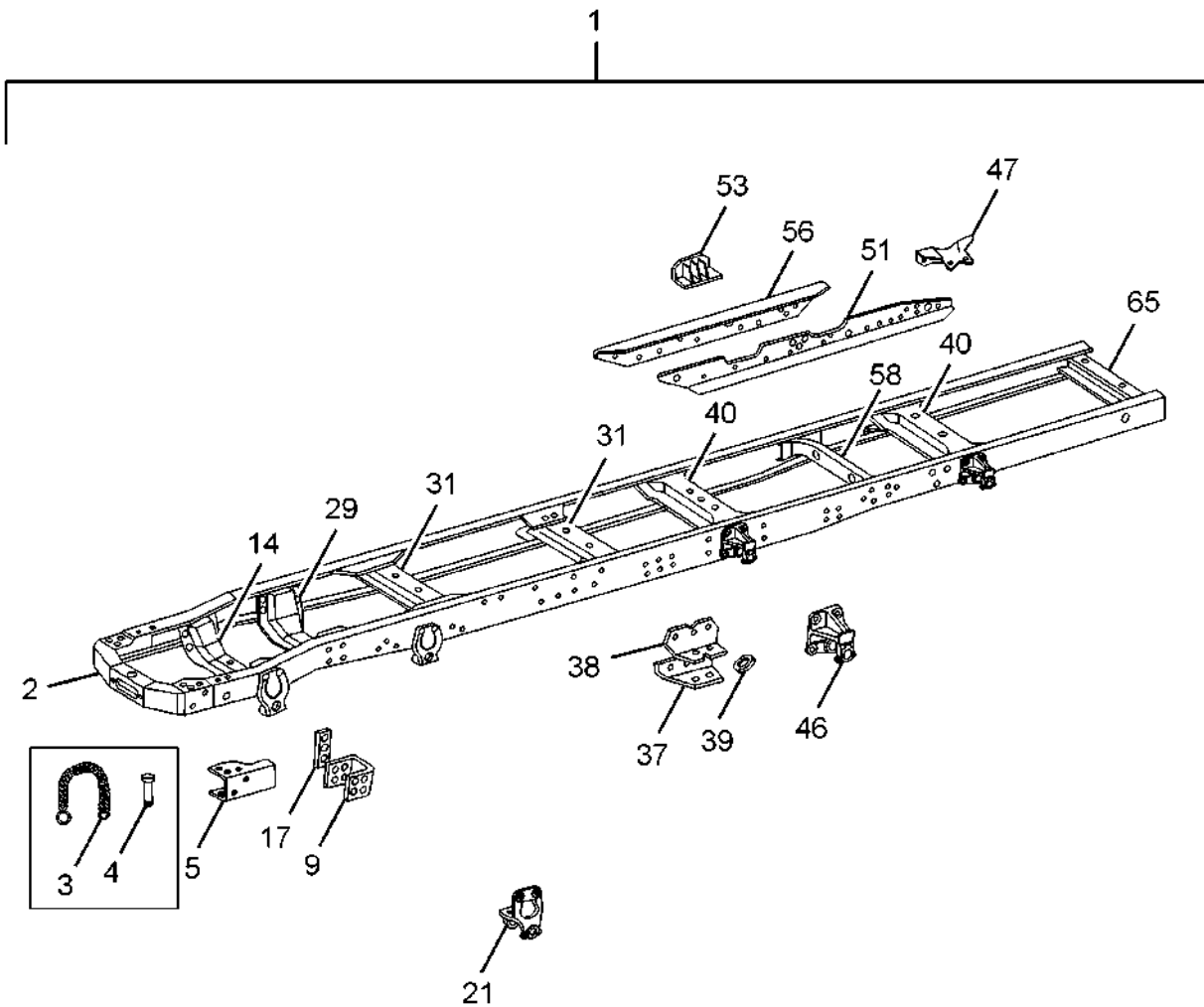
31.31.01B		FRAME		GROUP 31	
CHASSIS TYPE: 412073; 412073; 412074					
FIG. NO.	PART NUMBER	DESCRIPTION	QTY	REMARKS	
53	257331200123	ASSY STOPPER BRACKET	2		
51	257331207134	REINFORCEMENT FRT. RH BOTTOM	1		
	257331207138	REINFORCEMENT REAR RH BOTTOM	1		
51	257331207135	REINFORCEMENT FRT. LH BOTTOM	1		
	257331207139	REINFORCEMENT REAR LH BOTTOM	1		
56	257131207147	REINFORCEMENT RH (TOP)	1		
56	257131207148	REINFORCEMENT-LH (TOP)	1		
	277031207120	REINFORCEMENT RH	1		
	277031207121	REINFORCEMENT-LH	1		
58	257131200114	ASSY. CROSS MEMBER (SHOCK ABSORBER)	1		
	257131208223	END PLATE	AR		
	257131208224	END PLATE	AR		
65	257331217110	END CROSS MEMBER (195 DEEP TAIL END)	1		
	284131700105	ASSY SUPPORT BRACKET (FRT. ENGINE SIDE)-BOTTOM SHIELD	2		
	207431700101	ASSY.BOTTOM SHIELD (ENGINE)	1		
	207431700102	ASSY.TRANSMISSION SHIELD(FRONT SIDE)	1		
	207431700108	ASSY TRANSMISSION SHIELD(REAR SIDE)	1		
	207431700104	ASSY SUPPORT BRACKET (ENGINE SIDE)	2		
	207431700110	ASSY SUPPORT BRACKET (TRANS SIDE)-RH	1		
	207431700111	ASSY SUPPORT BRACKET (TRANS SIDE)-LH	1		
	207431700107	ASSY SUPPORT BRACKET.(REAR TRANS. SIDE)	2		

CHASSIS TYPE: 412081; 412080; 412076



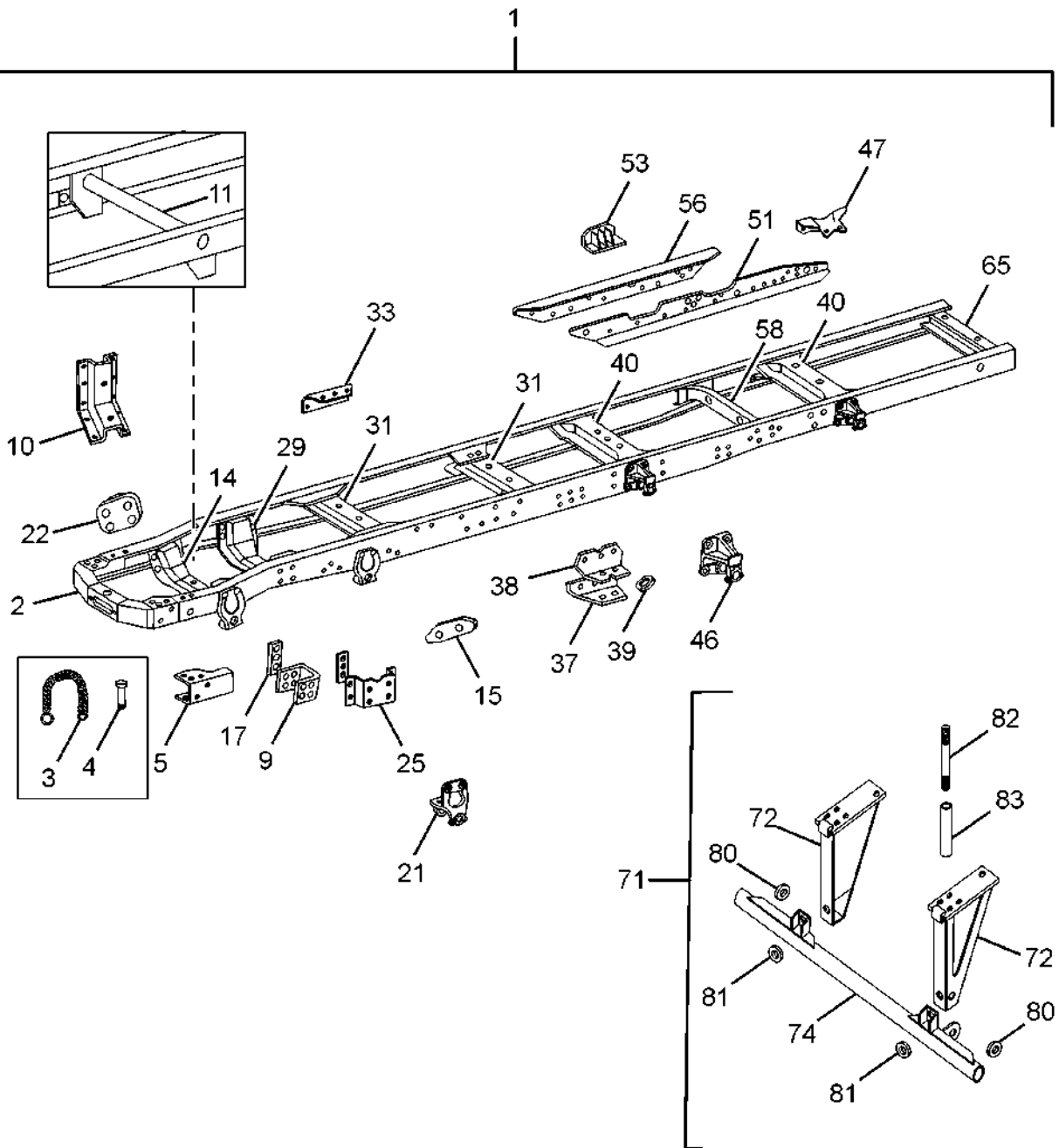
31.31.01C		FRAME		GROUP 31
CHASSIS TYPE: 412081; 412080; 412076				
FIG. NO.	PART NUMBER	DESCRIPTION	QTY	REMARKS
1	277031000122	ASSY FRAME COMPLETE (55% ROH)	1	
2	206031200110	ASSY. BUMPER CROSS MEMBER	1	
3	3043100207	ASSY CHAIN WITH RING & LOCKING HOOK	1	
4	0423150006J	COUPLING PIN	1	
5	207431200103	ASSY.GUSSET-RH	1	
5	207431200104	ASSY.GUSSET-LH	2	
9	277031200116	ASSY. SUPPORT (ENG. CROSS MEMBER FRONT)	2	
14	277031200115	ASSY. ENGINE CROSS MEMBER FRONT	1	
17	275131208202	PACKING SHEET	AR	
17	275131208203	PACKING SHEET	AR	
	3219901901	HEX. SCREW	4	
21	0423220401J	FRONT SPRING BRACKET FRONT & REAR	4	
29	277031200113	ASSY. ENGINE CROSS MEMBER REAR	1	
	277031207131	SUPPORT ENGINE CROSS MEMBER (REAR)	2	
	277031200114	ASSY SPACER (ENGINE CROSS MEMBER REAR)	2	
	263231207140	REINFORCEMENT - BOTTOM LH	1	
	263231207141	REINFORCEMENT - BOTTOM RH	1	
	263231200126	ASSY C.B. CROSS MEMBER WITH REINFORCEMENT	1	
31	263231200105	ASSY. CROSS MEMBER WITH SUPPORT	1	
31	257331208216	CROSS MEMBER (W/O SUPPORT & REINFORCEMENT)	1	
	276331200104	ASSY. CROSS MEMBER.	1	
37	257331207101	SUPPORT BOTTOM	2	
38	257431207134	SUPPORT TOP	2	
39	0423120076J	WASHER	16	
40	257331208212	CROSS MEMBER REAR SPRING	2	
	257531207122	SUPPORT CROSS MEMBER	2	
46	3523250101	REAR SPRING BRACKET REAR	4	
47	257131207106	REINFORCEMENT	4	
53	257331200123	ASSY STOPPER BRACKET	2	
51	257331207134	REINFORCEMENT FRT. RH BOTTOM	1	
	257331207138	REINFORCEMENT REAR RH BOTTOM	1	

CHASSIS TYPE: 412081; 412080; 412076



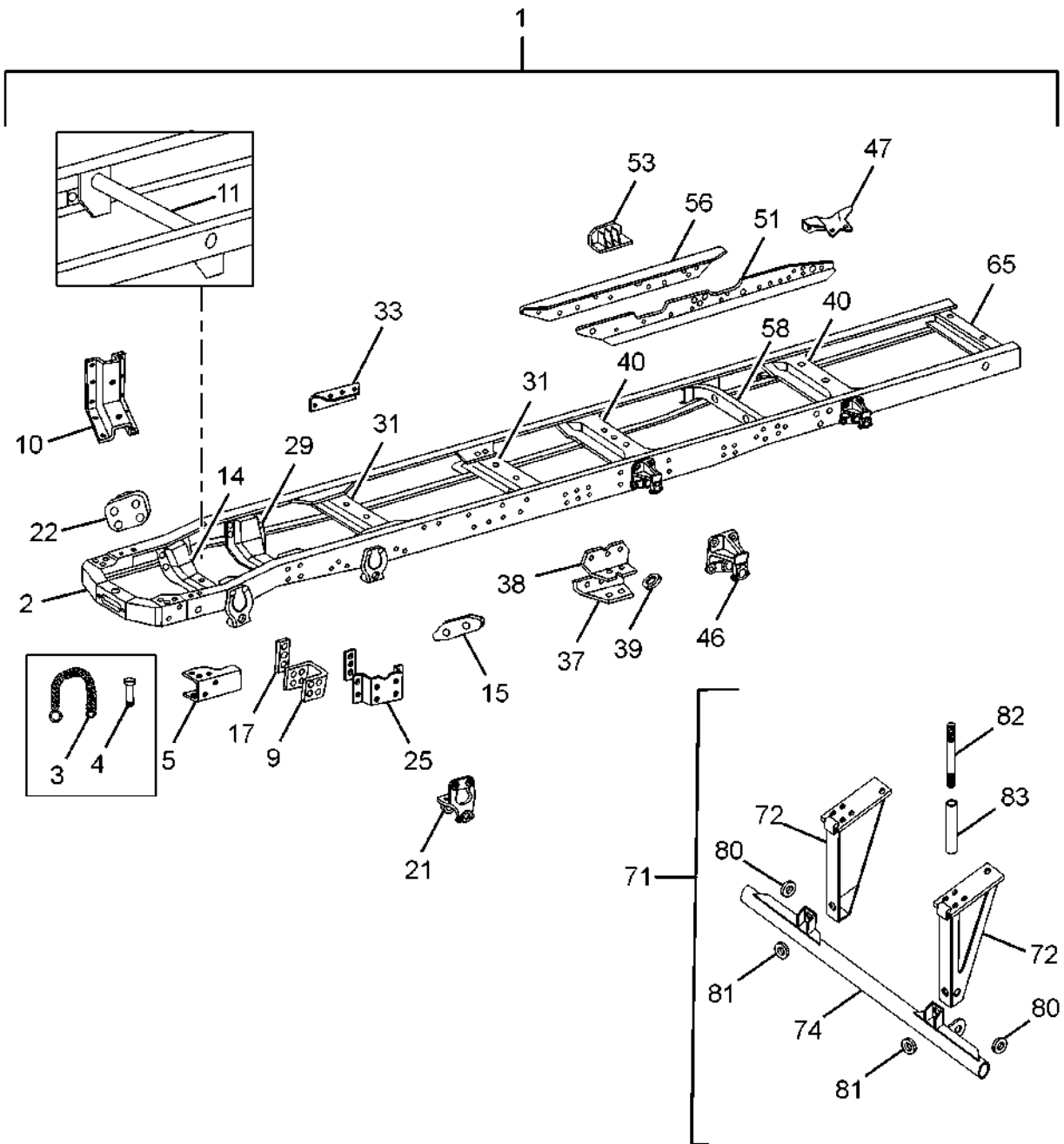
31.31.01C		FRAME		GROUP 31	
CHASSIS TYPE: 412081; 412080; 412076					
FIG. NO.	PART NUMBER	DESCRIPTION	QTY	REMARKS	
51	257331207135	REINFORCEMENT FRT. LH BOTTOM	1		
	257331207139	REINFORCEMENT REAR LH BOTTOM	1		
56	257131207147	REINFORCEMENT RH (TOP)	1		
56	257131207148	REINFORCEMENT-LH (TOP)	1		
	261831207101	REINFORCEMENT RH (TOP)	1		
	261831207102	REINFORCEMENT-LH (TOP)	1		
58	257131200114	ASSY. CROSS MEMBER (SHOCK ABSORBER)	1		
	257131208223	END PLATE	AR		
	257131208224	END PLATE	AR		
65	257331217110	END CROSS MEMBER (195 DEEP TAIL END)	1		
	284131700105	ASSY SUPPORT BRACKET (FRT. ENGINE SIDE)-BOTTOM SHIELD	2		
	207431700101	ASSY.BOTTOM SHIELD (ENGINE)	1		
	207431700102	ASSY.TRANSMISSION SHIELD(FRONT SIDE)	1		
	207431700108	ASSY TRANSMISSION SHIELD(REAR SIDE)	1		
	207431700104	ASSY SUPPORT BRACKET (ENGINE SIDE)	2		
	207431700110	ASSY SUPPORT BRACKET (TRANS SIDE)-RH	1		
	207431700111	ASSY SUPPORT BRACKET (TRANS SIDE)-LH	1		
	207431700107	ASSY SUPPORT BRACKET.(REAR TRANS. SIDE)	2		

CHASSIS TYPE: 412091; 412271



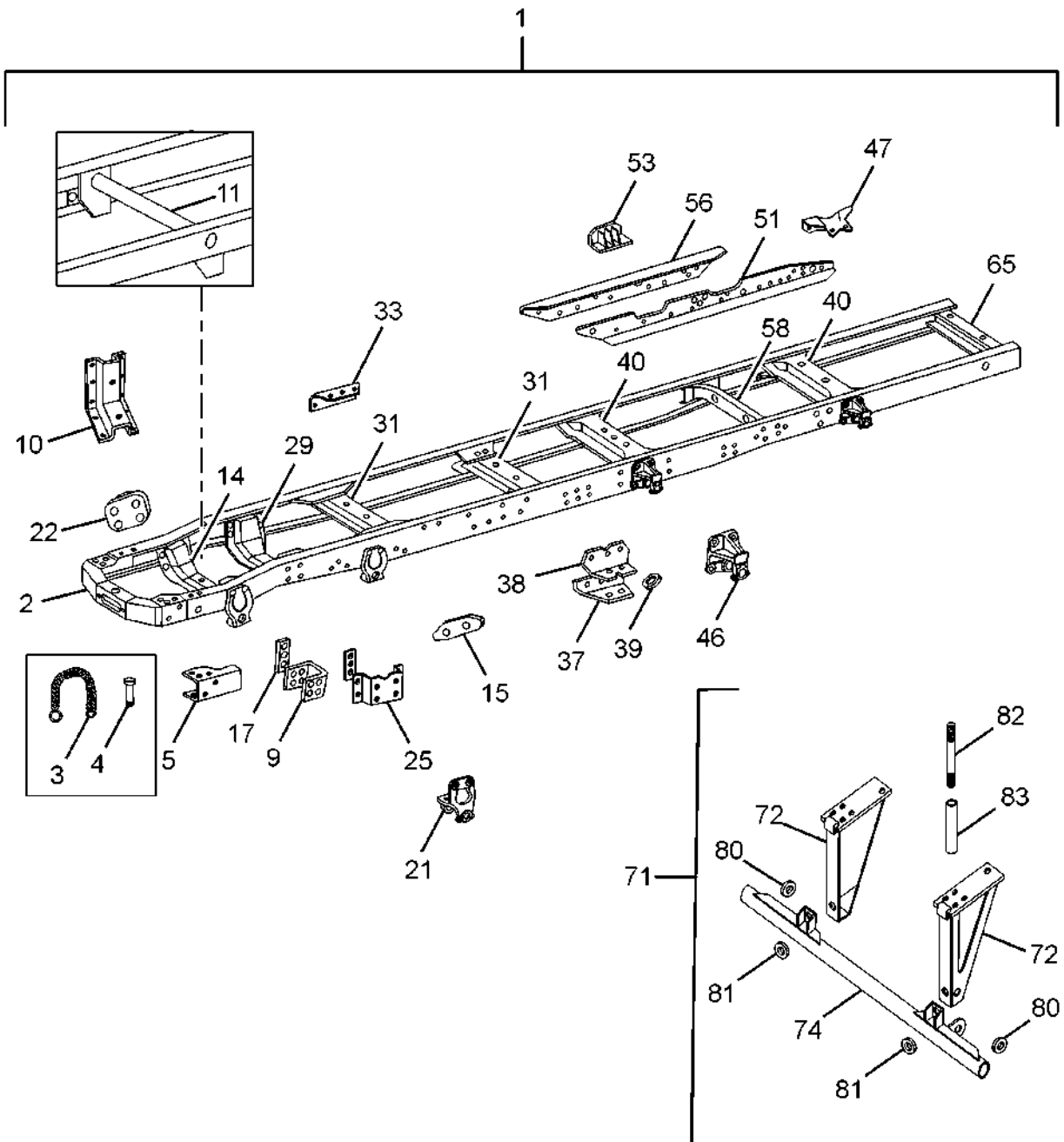
31.31.01E		FRAME		GROUP 31
CHASSIS TYPE: 412091; 412271				
FIG. NO.	PART NUMBER	DESCRIPTION	QTY	REMARKS
1	207331000103	ASSY.FRAME COMPLETE	1	FOR CAR CARRIER
1	207331000118	ASSY.FRAME COMPLETE (60%ROH)	1	
2	206031200110	ASSY. BUMPER CROSS MEMBER	1	
3	3043100207	ASSY CHAIN WITH RING & LOCKING HOOK	1	
4	0423150006J	COUPLING PIN	1	
5	207331208201	GUSSET RH	1	
5	207331208202	GUSSET LH	1	
9	207331207119	SUPPORT (ENG. MTG. C/M FRONT)	4	
10	275031200102	ASSY. BRACKET RH	1	
10	275031200103	ASSY. BRACKET LH	1	
	275031209201	WASHER	1	
11	275031200104	ASSY. CROSS MEMBER	1	
	207324200103	ASSY.BRACKET (ENG.MTG.BOTTOM)	2	
	275024200104	ASSY BRACKET LH (ENG.MTG.REAR ON FRAME)	1	FOR CAR CARRIER
14	275031200101	ASSY. ENGINE CROSS MEMBER FRONT	1	FOR CAR CARRIER
14	207331200103	ASSY. ENGINE CROSS MEMBER FRONT	1	
15	257332108605	SPACER	2	
17	257631208211	PACKING PLATE 3 MM THK. (SUPPORT TO CROSS MEMBER)	AR	
17	257631208212	PACKING PLATE 1.5 MM THK. (SUPPORT TO CROSS MEMBER)	AR	
	3219901901	HEX. SCREW	4	
21	0423220401J	FRONT SPRING BRACKET FRONT & REAR	4	
	257631207120	SUPPORT ENGINE CROSS MEMBER FRONT	2	
22	275031208203	SPACER (CROSS MEMBER TO BRACKET)	AR	
22	275031208204	SPACER (CROSS MEMBER TO BRACKET)	AR	
25	275031207113	SUPPORT LH	1	
25	275031207114	SUPPORT TOP RH	1	
29	257631200106	ASSY. ENGINE CROSS MEMBER	1	
31	257331208216	CROSS MEMBER (W/O SUPPORT & REINFORCEMENT)	2	
33	275031207115	REINFORCEMENT RH	1	
33	275031207116	REINFORCEMENT LH	1	

CHASSIS TYPE: 412091; 412271



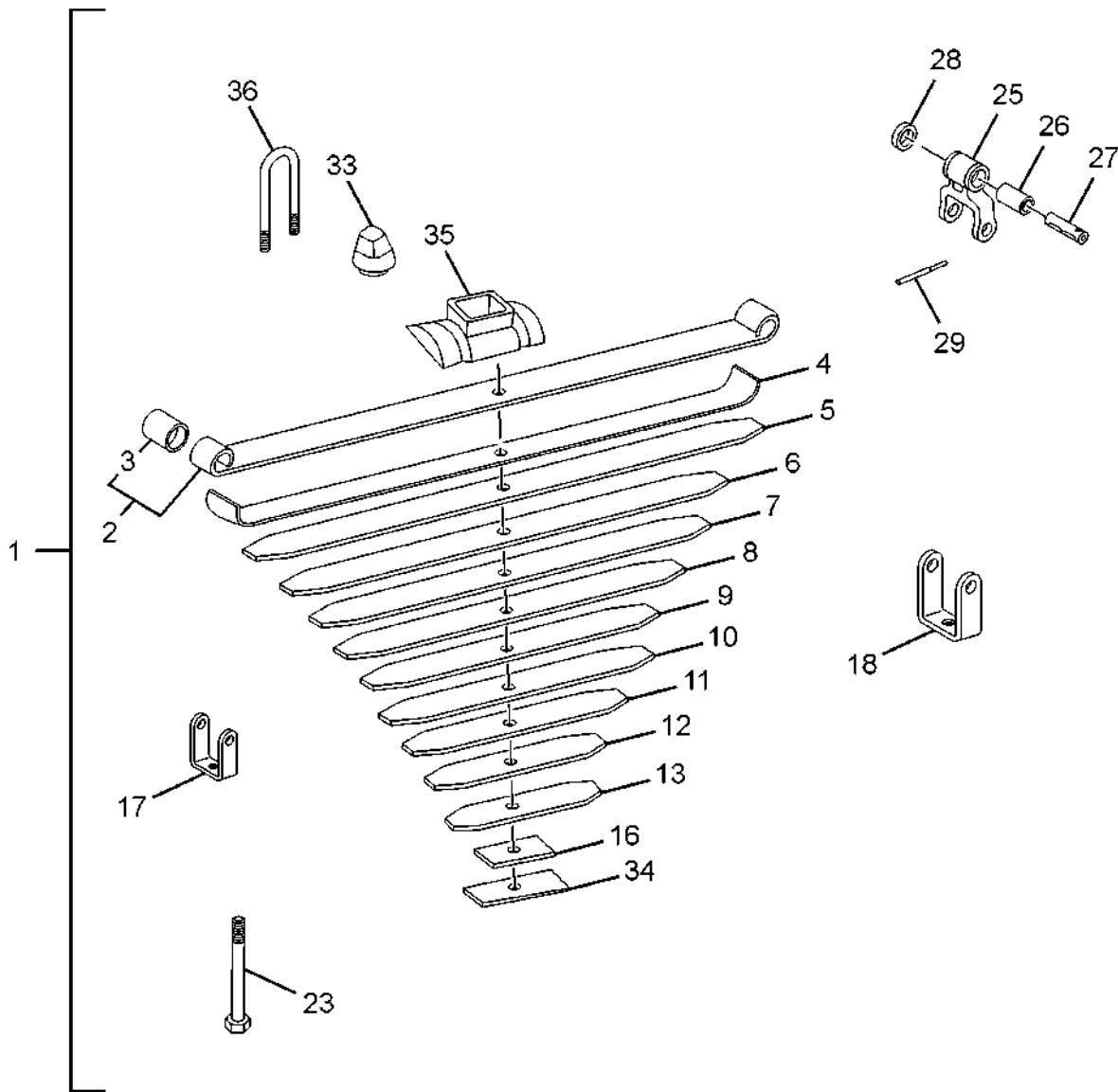
31.31.01E		FRAME		GROUP 31	
CHASSIS TYPE: 412091; 412271					
FIG. NO.	PART NUMBER	DESCRIPTION	QTY	REMARKS	
37	257331207101	SUPPORT BOTTOM	4		
38	0423121652J	SUPPORT TOP	4		
39	0423120076J	WASHER	16		
40	257331208212	CROSS MEMBER REAR SPRING	2		
	257531207122	SUPPORT CROSS MEMBER	2		
46	3523250101	REAR SPRING BRACKET REAR	4		
	257332403301	SLIDE SUPPORT	4	FOR CAR CARRIER	
	3213250041	REINFORCEMENT PLATE	4	FOR CAR CARRIER	
	257431207115	SPACER	4	FOR CAR CARRIER	
47	257131207106	REINFORCEMENT	4		
53	257331200123	ASSY STOPPER BRACKET	2		
51	207331207104	REINFORCEMENT-RH (BOTTOM-FRONT)	1	FOR CAR CARRIER	
51	207331207113	REINFORCEMENT FRT. RH BOTTOM	1		
	207331207106	REINFORCEMENT-RH (BOTTOM-REAR)	1	FOR CAR CARRIER	
	275031207125	REINFORCEMENT REAR RH BOTTOM	1		
51	207331207105	REINFORCEMENT-LH (BOTTOM-FRONT)	1	FOR CAR CARRIER	
51	207331207114	REINFORCEMENT FRONT LH	1		
	207331207107	REINFORCEMENT-LH (BOTTOM-REAR)	1	FOR CAR CARRIER	
	275031207126	REINFORCEMENT REAR LH BOTTOM	1		
56	257131207147	REINFORCEMENT RH (TOP)	1		
56	257131207148	REINFORCEMENT-LH (TOP)	1		
	207331207108	REINFORCEMENT RH (TOP)	1	FOR CAR CARRIER	
	207331207109	REINFORCEMENT-LH (TOP)	1	FOR CAR CARRIER	
58	257131200114	ASSY. CROSS MEMBER (SHOCK ABSORBER)	1		
	257131208223	END PLATE	AR		
	257131208224	END PLATE	AR		
65	257331217110	END CROSS MEMBER (195 DEEP TAIL END)	1		
65	275431207134	END CROSS MEMBER (195 DEEP TAIL END)	1	FOR CAR CARRIER	
	207331700102	ASSY ENGINE SHIELD BOTTOM	1		
	207331700105	ASSY.BOTTOM SHIELD GEAR BOX	1		
	207331708201	BRACKET (ENG SHIELD)	2		
	207331708202	SUPPORT BRACKET - LH (G/B SHIELD)	1		
	207331708203	SUPPORT BRACKET - RH (G/B SHIELD)	1		

CHASSIS TYPE: 412091; 412271



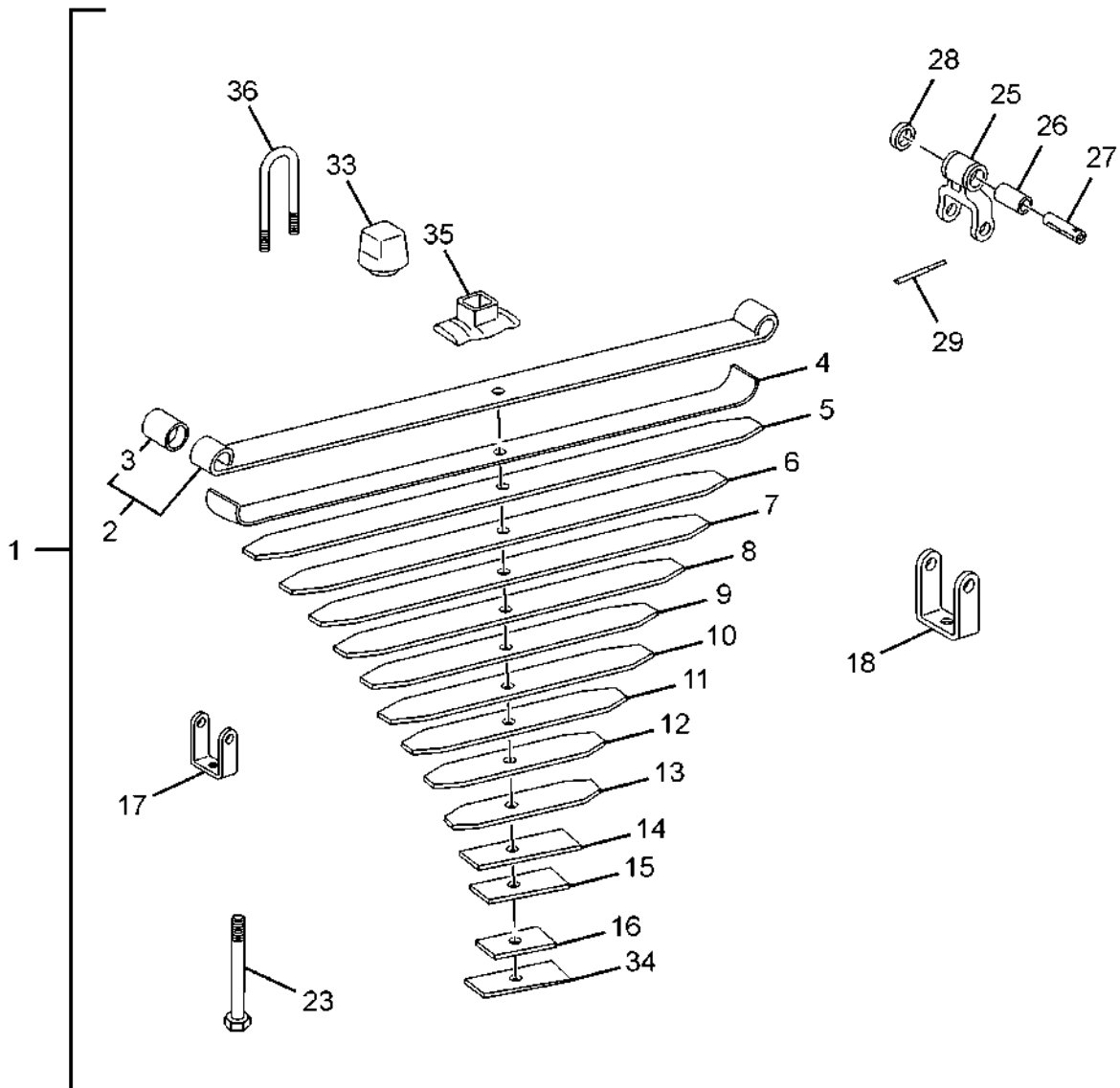
31.31.01E		FRAME		GROUP 31	
CHASSIS TYPE: 412091; 412271					
FIG. NO.	PART NUMBER	DESCRIPTION	QTY	REMARKS	
71	263231700101	ASSY.REAR UNDERRUN PROTECTIVE DEVICE COMPLETE	1		
72	278231700114	ASSY. BRACKET RH	1	FOR CAR CARRIER	
72	278231700115	ASSY. BRACKET LH	1	FOR CAR CARRIER	
74	278231700111	ASSY. TUBE (RUPD)	1	FOR CAR CARRIER	
	263231700102	ASSY. SUPPORT LH	1	FOR CAR CARRIER	
	263231700103	ASSY. SUPPORT RH	1	FOR CAR CARRIER	
80	278231708602	WASHER (13 ID X 25 OD)	4	FOR CAR CARRIER	
81	278231708603	WASHER (17 ID X 36 OD)	2	FOR CAR CARRIER	
82	263231708801	ASSY STUD	4	FOR CAR CARRIER	
83	263231706901	SPACER TUBE	2	FOR CAR CARRIER	

CHASSIS TYPE: 412073; 412081; 412073; 412052; 412074; 412080



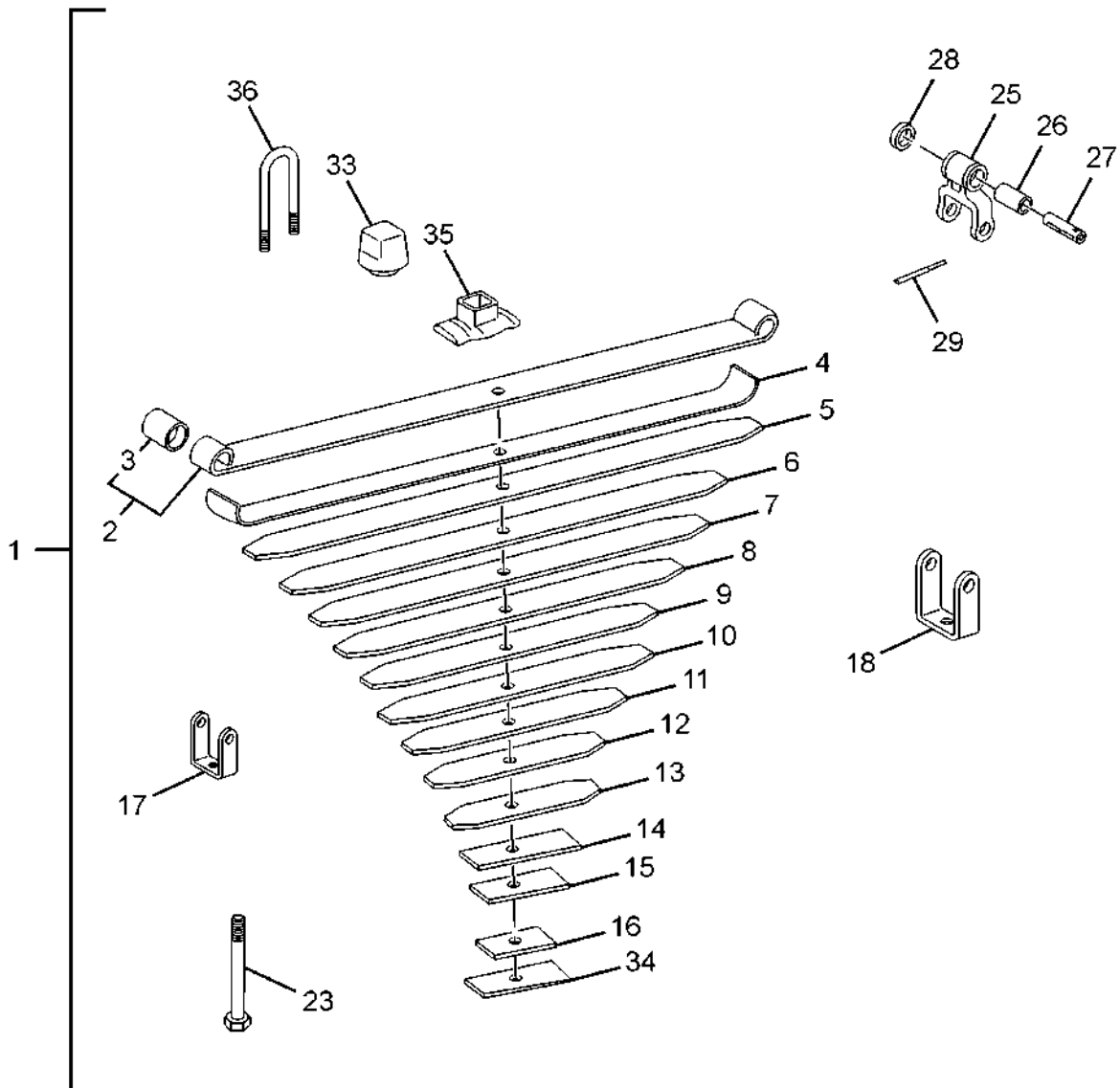
32.32.01		FRONT SPRING AND SUSPENSION (LP)		GROUP 32
CHASSIS TYPE: 412073; 412081; 412073; 412052; 412074; 412080				
FIG. NO.	PART NUMBER	DESCRIPTION	QTY	REMARKS
1	261832100110	ASSY. FRONT SPRING	2	
2	261832100109	ASSY. FIRST LEAF WITH BUSH	2	
3	206032023401	BUSH	4	
4	261832107111	SECOND LEAF	2	
5	261832107112	THIRD LEAF	2	
6	261832107113	FOURTH LEAF	2	
7	261832107114	FIFTH LEAF	2	
8	261832107115	SIXTH LEAF	2	
9	261832107116	SEVENTH LEAF	2	
10	261832107117	EIGHTH LEAF	2	
11	261832107118	NINETH LEAF	2	
12	261832107119	TENTH LEAF	2	
13	261832107120	ELEVENTH LEAF	2	
16	-	PLATE	8	NOT SERVICED
17	-	SPRING CLIP	4	NOT SERVICED
18	-	SPRING CLIP	4	NOT SERVICED
23	206032103203	CENTRE BOLT	2	
25	3523200063	ASSY. SPRING SHACKLE	2	
26	3523220050	BUSH	2	
27	3523220530	SPRING PIN	4	
27	257332106701	SPRING PIN	2	
28	257332100107	ASSY. SEALING RING	12	
29	0429900037J	COTTER PIN	6	
33	257632207701	RUBBER BUFFER	2	
34	3423220084	CASTOR PLATE	2	
35	257632203701	GUIDE PLATE FRONT	2	
36	263232204203	U CLAMP	4	
-	283932208601	SPACER	8	

CHASSIS TYPE: 412091; 412271; 412076



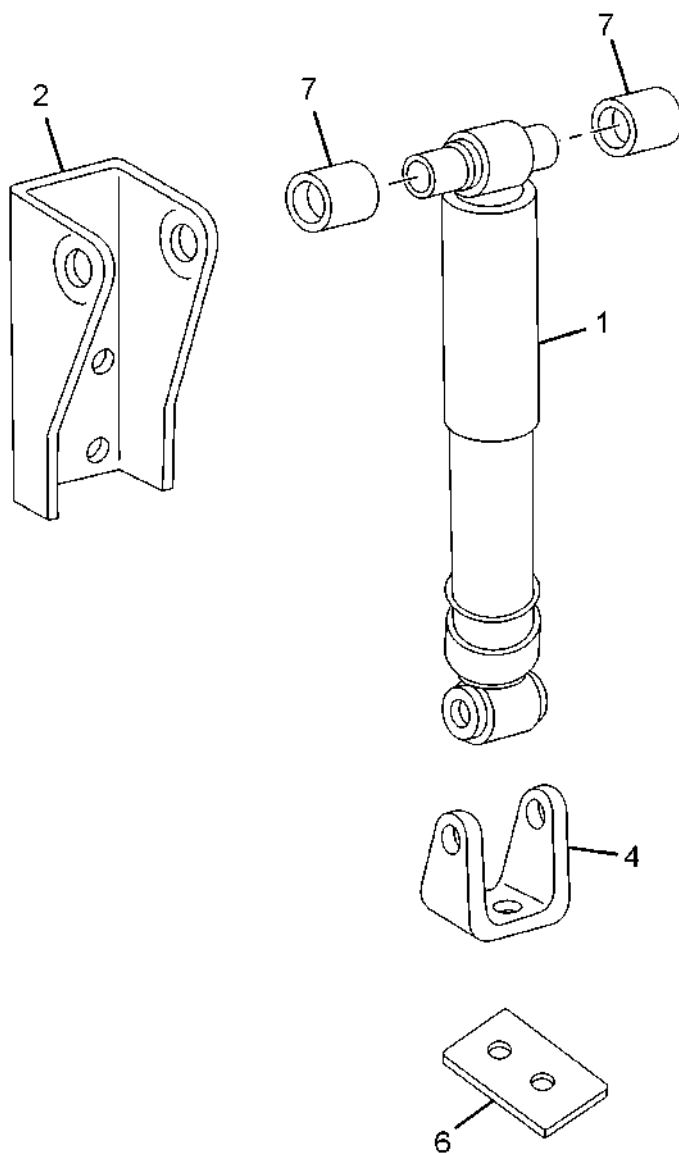
32.32.02		FRONT SPRING AND SUSPENSION (LPO)		GROUP 32
CHASSIS TYPE: 412091; 412271; 412076				
FIG. NO.	PART NUMBER	DESCRIPTION	QTY	REMARKS
		FRONT SPRING (DRIVER'S SIDE)		
1	275032100103	ASSY FRONT SPRING (DRIVER'S SIDE)	1	
2	263232100124	ASSY. FIRST LEAF WITH BUSH	1	
3	257532203401	BUSH	2	
4	263232107114	SECOND LEAF	1	
5	263232107115	THIRD LEAF	1	
6	263232107116	FOURTH LEAF	1	
7	261832107101	FIFTH LEAF	1	
8	261832107102	SIXTH LEAF	1	
9	261832107103	SEVENTH LEAF	1	
10	261832107104	EIGHTH LEAF	1	
11	261832107105	NINETH LEAF	1	
12	261832107106	TENTH LEAF	1	
13	261832107107	ELEVENTH LEAF	1	
14	261832107108	TWELVETH LEAF	1	
15	261832107109	THIRTEENTH LEAF	1	
16	-	PLATE	3	NOT SERVICED
16	-	PLATE	1	NOT SERVICED
17	-	SPRING CLIP	1	NOT SERVICED
18	-	SPRING CLIP	1	NOT SERVICED
23	263232103202	CENTRE BOLT	4	
		FRONT SPRING (CO DRIVER'S SIDE)		
1	262532100101	ASSY FRONT SPRING (CO DRIVER'S SIDE)	1	
2	263232100124	ASSY. FIRST LEAF WITH BUSH	1	
3	257532203401	BUSH	2	
4	263232107114	SECOND LEAF	1	
5	263232107115	THIRD LEAF	1	
6	263232107116	FOURTH LEAF	1	
7	261832107101	FIFTH LEAF	1	
8	261832107102	SIXTH LEAF	1	
9	261832107103	SEVENTH LEAF	1	
10	261832107104	EIGHTH LEAF	1	
11	261832107105	NINETH LEAF	1	
12	261832107106	TENTH LEAF	1	
13	261832107107	ELEVENTH LEAF	1	
14	261832107108	TWELVETH LEAF	1	
15	261832107109	THIRTEENTH LEAF	1	
16	-	PLATE	3	NOT SERVICED
16	-	PLATE	1	NOT SERVICED

CHASSIS TYPE: 412091; 412271; 412076



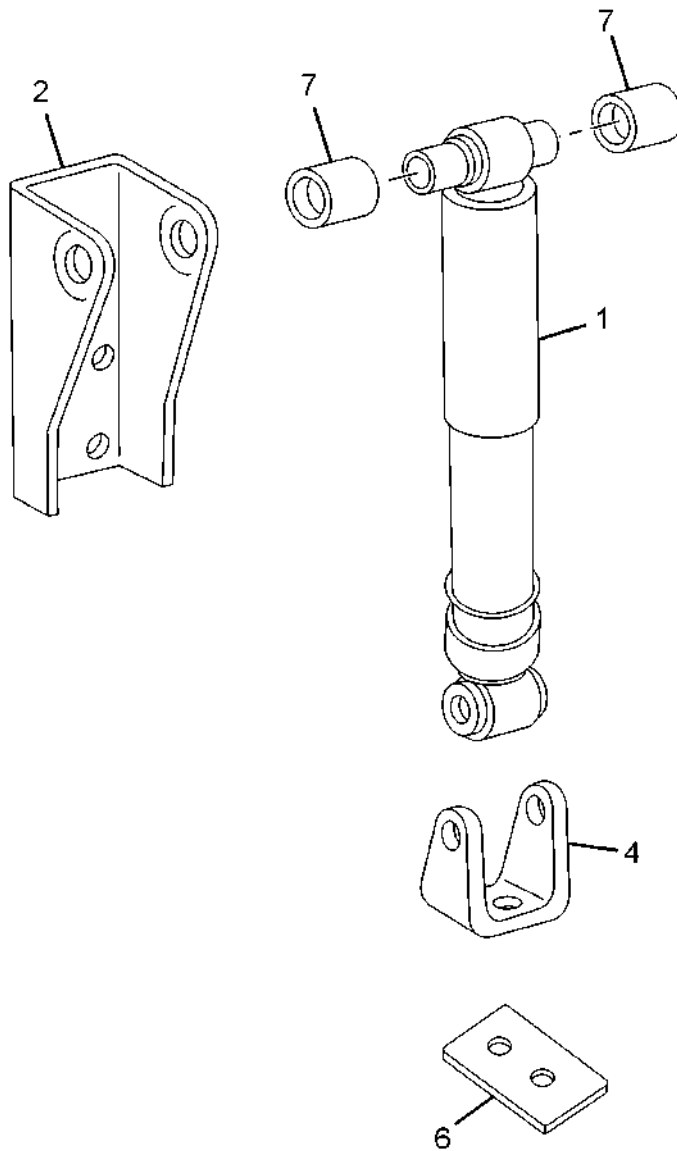
32.32.02		FRONT SPRING AND SUSPENSION (LPO)		GROUP 32
CHASSIS TYPE: 412091; 412271; 412076				
FIG. NO.	PART NUMBER	DESCRIPTION	QTY	REMARKS
17	-	SPRING CLIP	1	NOT SERVICED
18	-	SPRING CLIP	1	NOT SERVICED
18	-	SPRING CLIP	1	NOT SERVICED
23	263232103202	CENTRE BOLT	4	
25	3523200063	ASSY. SPRING SHACKLE	2	
26	3523220050	BUSH	2	
27	3523220530	SPRING PIN	4	
27	257332106701	SPRING PIN	2	
28	257332100107	ASSY. SEALING RING	12	
29	0429900037J	COTTER PIN	6	
33	257632207701	RUBBER BUFFER	2	
34	257532203701	CASTOR PLATE	2	
35	257632203701	GUIDE PLATE FRONT	2	
36	257632204211	U CLAMP	2	
36	275032204201	U CLAMP	2	

CHASSIS TYPE: 412073; 412081; 412073; 412052; 412074; 412080



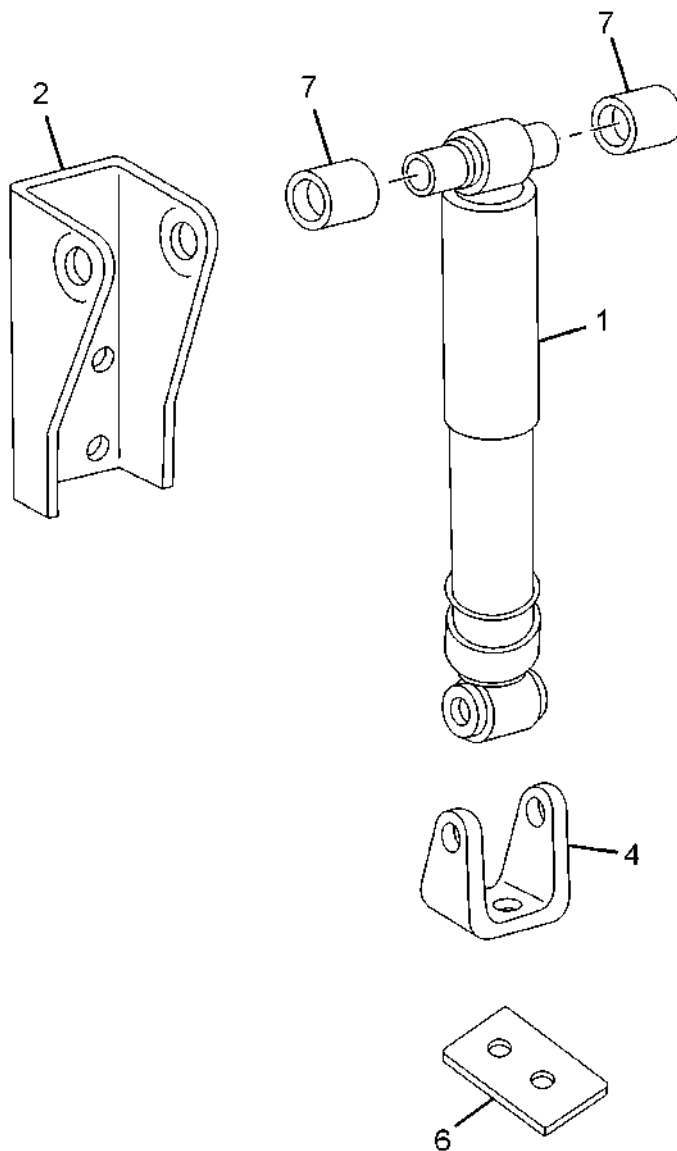
32.32.03A		FRONT SHOCK ABSORBER		GROUP 32
CHASSIS TYPE: 412073; 412081; 412073; 412052; 412074; 412080				
FIG. NO.	PART NUMBER	DESCRIPTION	QTY	REMARKS
1	261832300101	ASSY SHOCK ABSORBER FRONT (WITH EXTENDED LENGTH)	2	
2	257432300104	ASSY. BRACKET (FRONT SHOCK ABSORBER)	2	
	3123231576	WASHER(SHOCK ABSORBER FITTING-UPPER BRACKET)	4	
4	0423230063J	SHOCK ABSORBER MTG. BRACKET LOWER	2	
6	257632308201	LOCKING SHEET	2	
7	257432308602	BUSH (FRONT SHOCK ABSORBER)	2	

CHASSIS TYPE: 412076



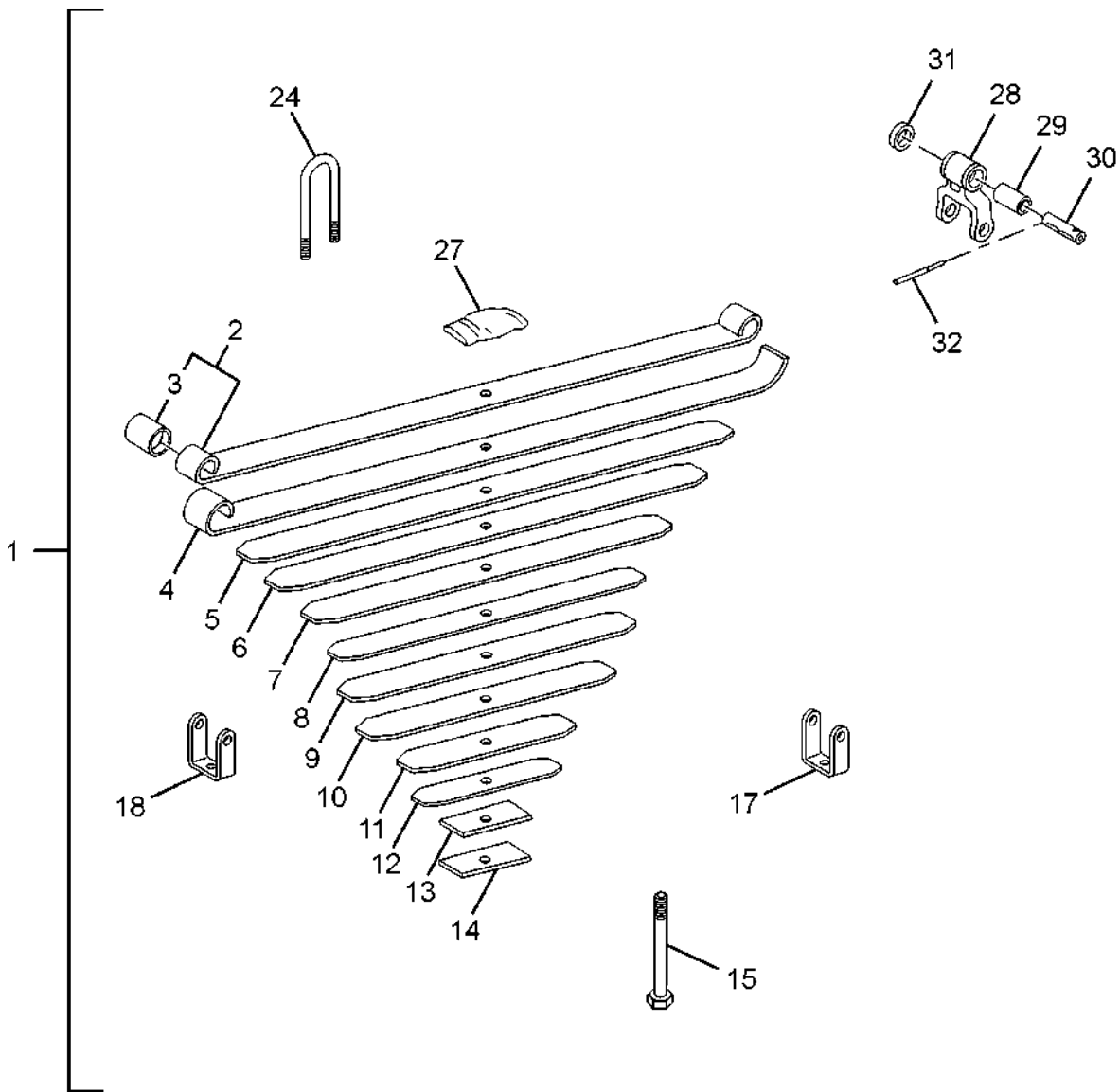
32.32.03B		FRONT SHOCK ABSORBER		GROUP 32	
CHASSIS TYPE: 412076					
FIG. NO.	PART NUMBER	DESCRIPTION	QTY	REMARKS	
1	261832300101	ASSY SHOCK ABSORBER FRONT (WITH EXTENDED LENGTH)	2		
2	207332300101	ASSY FRONT SHOCK ABSORBER BRACKET LH	2		
2	207332300102	ASSY FRONT SHOCK ABSORBER BRACKET RH	2		
	3123231576	WASHER(SHOCK ABSORBER FITTING-UPPER BRACKET)	4		
4	0423230063J	SHOCK ABSORBER MTG. BRACKET LOWER	2		
6	257632308201	LOCKING SHEET	2		
7	257432308602	BUSH (FRONT SHOCK ABSORBER)	2		

CHASSIS TYPE: 412091; 412271



32.32.03C		FRONT SHOCK ABSORBER		GROUP 32
CHASSIS TYPE: 412091; 412271				
FIG. NO.	PART NUMBER	DESCRIPTION	QTY	REMARKS
1	261832300101	ASSY SHOCK ABSORBER FRONT (WITH EXTENDED LENGTH)	2	
2	257732300102	ASSY FRONT SHOCK ABSORBER BRACKET LH	2	FOR CAR CARRIER
2	257732300103	ASSY FRONT SHOCK ABSORBER BRACKET RH	2	FOR CAR CARRIER
2	207332300101	ASSY FRONT SHOCK ABSORBER BRACKET LH	2	
2	207332300102	ASSY FRONT SHOCK ABSORBER BRACKET RH	2	
	3123231576	WASHER(SHOCK ABSORBER FITTING-UPPER BRACKET)	4	
4	0423230063J	SHOCK ABSORBER MTG. BRACKET LOWER	2	
6	257632308201	LOCKING SHEET	2	
7	257432308602	BUSH (FRONT SHOCK ABSORBER)	2	

CHASSIS TYPE: 412073; 412081; 412073; 412052; 412074; 412080



32.32.04		REAR SPRING AND SUSPENSION (LP)		GROUP 32
CHASSIS TYPE: 412073; 412081; 412073; 412052; 412074; 412080				
FIG. NO.	PART NUMBER	DESCRIPTION	QTY	REMARKS
1	261832400106	ASSY. REAR SPRING (TWO STAGE)	2	
2	261832400107	ASSY. FIRST LEAF WITH BUSHES	2	
3	257532503401	BUSH	4	
4	261832407127	SECOND LEAF	2	
5	261832407128	THIRD LEAF	2	
6	261832407129	FOURTH LEAF	2	
7	261832407130	FIFTH LEAF	2	
8	261832407131	SIXTH LEAF	2	
9	261832407132	SEVENTH LEAF	2	
10	261832407133	EIGHTH LEAF	2	
11	261832407134	NINTH LEAF	2	
12	261832407135	TENTH LEAF	2	
13	261832407136	ELEVENTH LEAF	2	
14	261832407137	TWELVTH LEAF	2	
15	261832403202	CENTRE BOLT	2	
17	-	SPRING CLIP	4	NOT SERVICED
18	-	SPRING CLIP	4	NOT SERVICED
24	259932504201	U CLAMP	4	
	257632509201	SPHERICAL WASHER (U CLAMP TO SPRING)	8	
27	257632503701	GUIDE PLATE	2	
28	3523200163	ASSY. SPRING SHACKLE REAR	2	
29	3523250150	BUSH	2	
30	3523250530	SPRING PIN	6	
31	257332400119	ASSY. SEALING RING	12	
32	0429900037J	COTTER PIN	6	

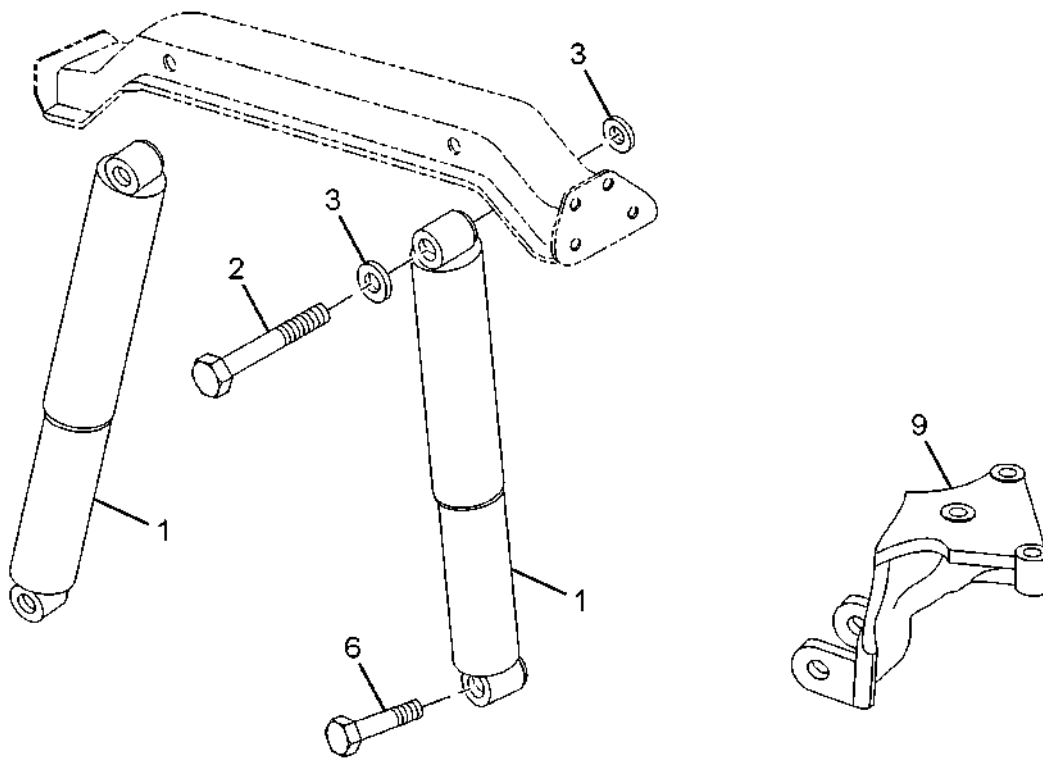
32.32.05		REAR SPRING AND SUSPENSION (LPO)		GROUP 32
CHASSIS TYPE: 412271; 412076				
FIG. NO.	PART NUMBER	DESCRIPTION	QTY	REMARKS
1	261832400103	ASSY. REAR SPRING	2	
2	261832400104	ASSY. FIRST LEAF WITH BUSH	2	
3	257532503401	BUSH	4	
4	261832407102	SECOND LEAF	2	
5	261832407103	THIRD LEAF	2	
6	261832407104	FOURTH LEAF	2	
7	261832407105	FIFTH LEAF	2	
8	261832407106	SIXTH LEAF	2	
9	261832407107	SEVENTH LEAF	2	
10	261832407108	EIGHTH LEAF	2	
11	261832407109	NINTH LEAF	2	
12	261832407110	TENTH LEAF	2	
13	261832407111	ELEVENTH LEAF	2	
14	261832407112	TWELFTH LEAF	2	
15	261832407113	THIRTEENTH LEAF	2	
16	261832407114	FOURTEENTH LEAF	2	
17	261832407115	FIFTEENTH LEAF	2	
18	261832407116	SIXTEENTH LEAF	2	
19	261832403201	CENTRE BOLT	2	
21	-	SPRING CLIP	4	NOT SERVICED
22	-	SPRING CLIP	4	NOT SERVICED
27	278232404201	U CLAMP	4	
30	263232503701	GUIDE PLATE	2	
31	3523200163	ASSY. SPRING SHACKLE REAR	2	
32	257532503401	BUSH	4	
33	3523250530	SPRING PIN	2	
34	257332400119	ASSY. SEALING RING	4	
35	0429900037J	COTTER PIN	2	

CHASSIS TYPE: 412091



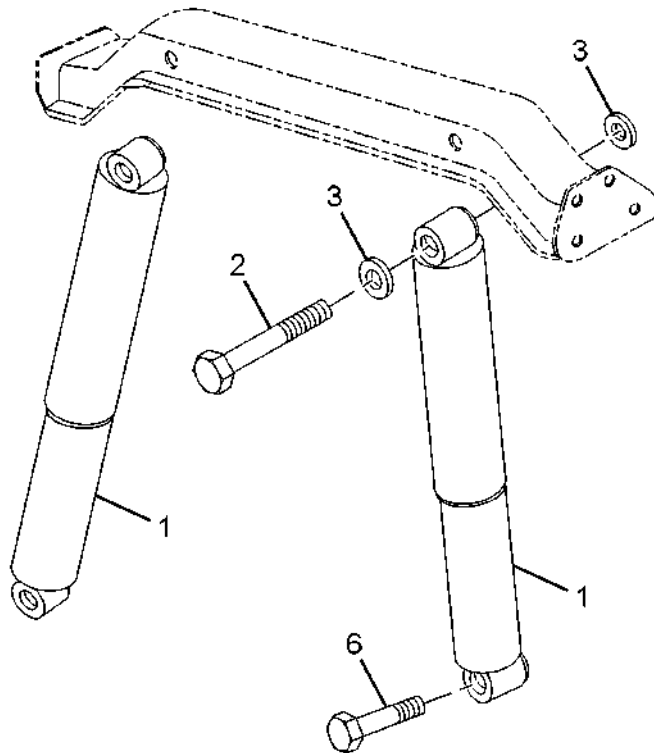
32.32.06		REAR SPRING AND SUSPENSION (LPO - CAR CARRIER)		GROUP 32
CHASSIS TYPE: 412091				
FIG. NO.	PART NUMBER	DESCRIPTION	QTY	REMARKS
1	263232400112	ASSY. REAR SPRING WITH AUXILIARY SPRING	2	
2	263232400113	ASSY. FIRST LEAF WITH BUSH	2	
3	257532503401	BUSH	4	
4	263232407135	SECOND LEAF (MAIN PACK)	2	
5	263232407136	THIRD LEAF (MAIN PACK)	2	
6	263232407137	FOURTH LEAF (MAIN PACK)	2	
7	263232407138	FIFTH LEAF (MAIN PACK)	2	
8	263232407139	SIXTH LEAF (MAIN PACK)	2	
9	263232407140	SEVENTH LEAF (MAIN PACK)	2	
10	263232407141	EIGHTH LEAF (MAIN PACK)	2	
11	263232407142	NINETH LEAF (MAIN PACK)	2	
12	263232407143	TENTH LEAF (MAIN PACK)	2	
13	263232407144	ELEVENTH LEAF (MAIN PACK)	2	
14	263232407145	TWELTH LEAF (MAIN PACK)	2	
	263232407146	THIRTEENTH LEAF (MAIN PACK)	2	
	263232407147	FOURTEENTH LEAF (MAIN PACK)	2	
22	0423200023J	ASSY. SUPPORT	2	
15	263232407148	FIRST LEAF (AUXILIARY PACK)	2	
16	263232407149	SECOND LEAF (AUXILIARY PACK)	2	
17	263232407150	THIRD LEAF (AUXILIARY PACK)	2	
18	263232407151	FOURTH LEAF (AUXILIARY PACK)	2	
19	263232407152	FIFTH LEAF (AUXILIARY PACK)	2	
20	263232407153	SIXTH LEAF (AUXILIARY PACK)	2	
21	263232407154	SEVENTH LEAF (AUXILIARY PACK)	2	
27	263232403202	CENTRE BOLT	2	
25	-	SPRING CLIP (MAIN SPRING)	8	NOT SERVICED
23	-	SPRING CLIP (AUX. SPRING)	4	NOT SERVICED
32	3523200163	ASSY. SPRING SHACKLE REAR	2	
33	257532503401	BUSH	2	
34	3523250530	SPRING PIN	6	
35	257332400119	ASSY. SEALING RING	12	
40	263232503701	GUIDE PLATE REAR (CASTING)	2	
41	263232404204	'U' CLAMP	4	

CHASSIS TYPE: 412073; 412073; 412052; 412074



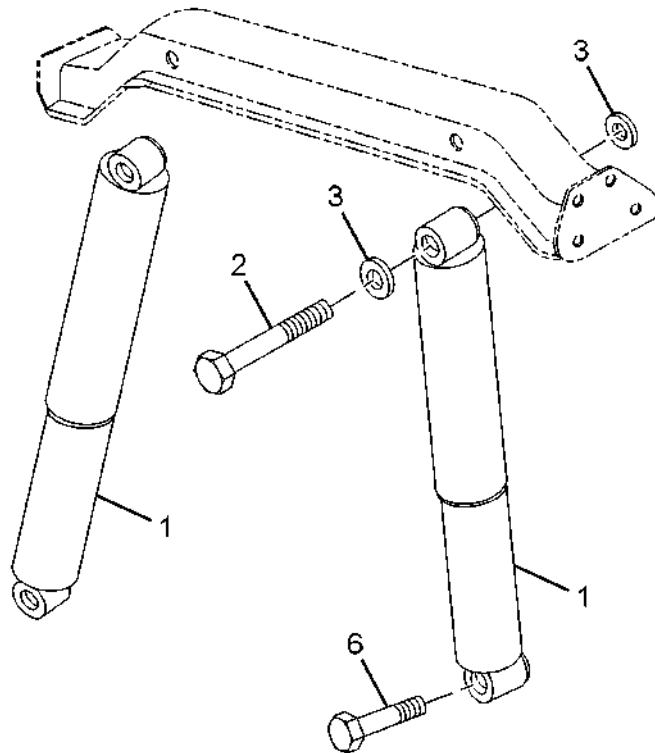
32.32.07A		REAR SHOCK ABSORBER		GROUP 32	
CHASSIS TYPE: 412073; 412073; 412052; 412074					
FIG. NO.	PART NUMBER	DESCRIPTION	QTY	REMARKS	
1	261832600110	REAR SHOCK ABSORBER	2		
2	261832608003	MOUNTING PIN	2		
3	257332608601	SPACER	4		
6	261832608001	MOUNTING PIN (SHOCK ABSR.TO MTG BRACKET AT BOTTOM)	2		
6	261832608002	MOUNTING PIN (SHOCK ABSR.TO MTG BRACKET AT BOTTOM)	2		
9	257332603705	REAR SHOCK ABSORBER BRACKET BOTTOM LH	1	SET A; FOR PUNE PRODN OPTIONAL WITH SET B; FOR JSR	
9	257332603706	REAR SHOCK ABSORBER BRACKET BOTTOM RH	1	SET A; FOR PUNE PRODN OPTIONAL WITH SET B; FOR JSR	
9	257332600145	REAR SHOCK ABSORBER BRACKET BOTTOM LH	1	SET B; FOR JSR OPTIONAL WITH SET A; FOR PUNE PRODN	
9	257332600146	REAR SHOCK ABSORBER BRACKET BOTTOM RH	1	SET B; FOR JSR OPTIONAL WITH SET A; FOR PUNE PRODN	

CHASSIS TYPE: 412081; 412080



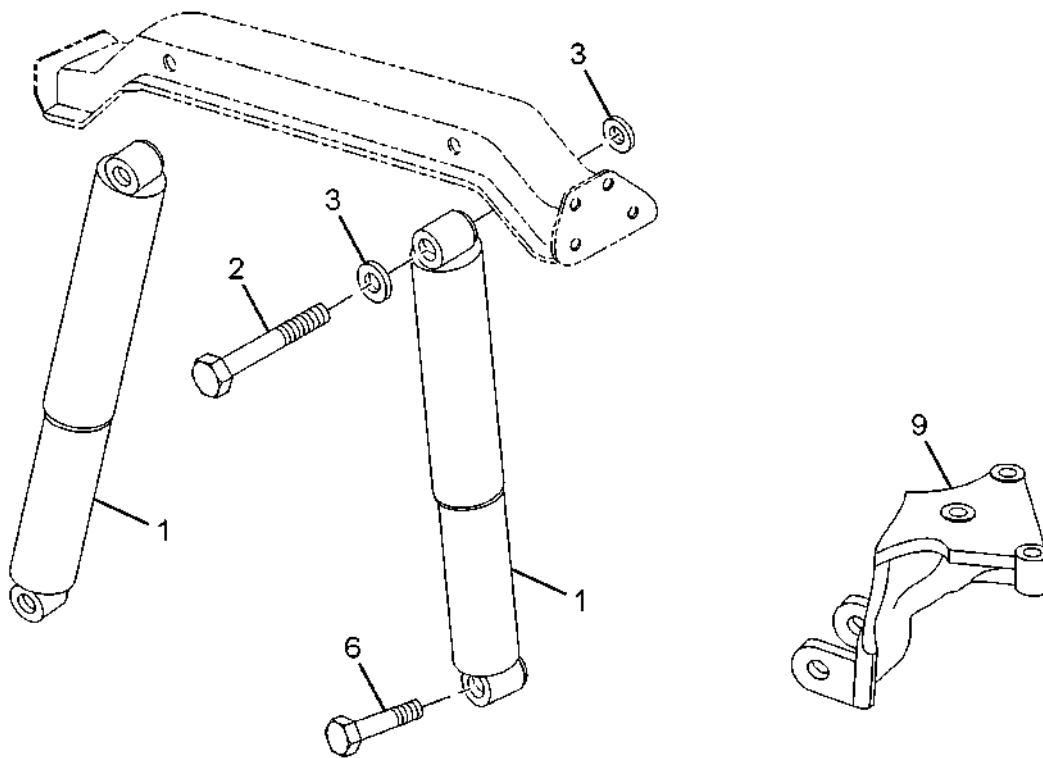
32.32.07B		REAR SHOCK ABSORBER		GROUP 32
CHASSIS TYPE: 412081; 412080				
FIG. NO.	PART NUMBER	DESCRIPTION	QTY	REMARKS
1	261832600110	REAR SHOCK ABSORBER	2	
2	261832608003	MOUNTING PIN	2	
3	257332608601	SPACER	4	
6	261832608001	MOUNTING PIN (SHOCK ABSR.TO MTG BRACKET AT BOTTOM)	2	
6	261832608002	MOUNTING PIN (SHOCK ABSR.TO MTG BRACKET AT BOTTOM)	2	

CHASSIS TYPE: 412076



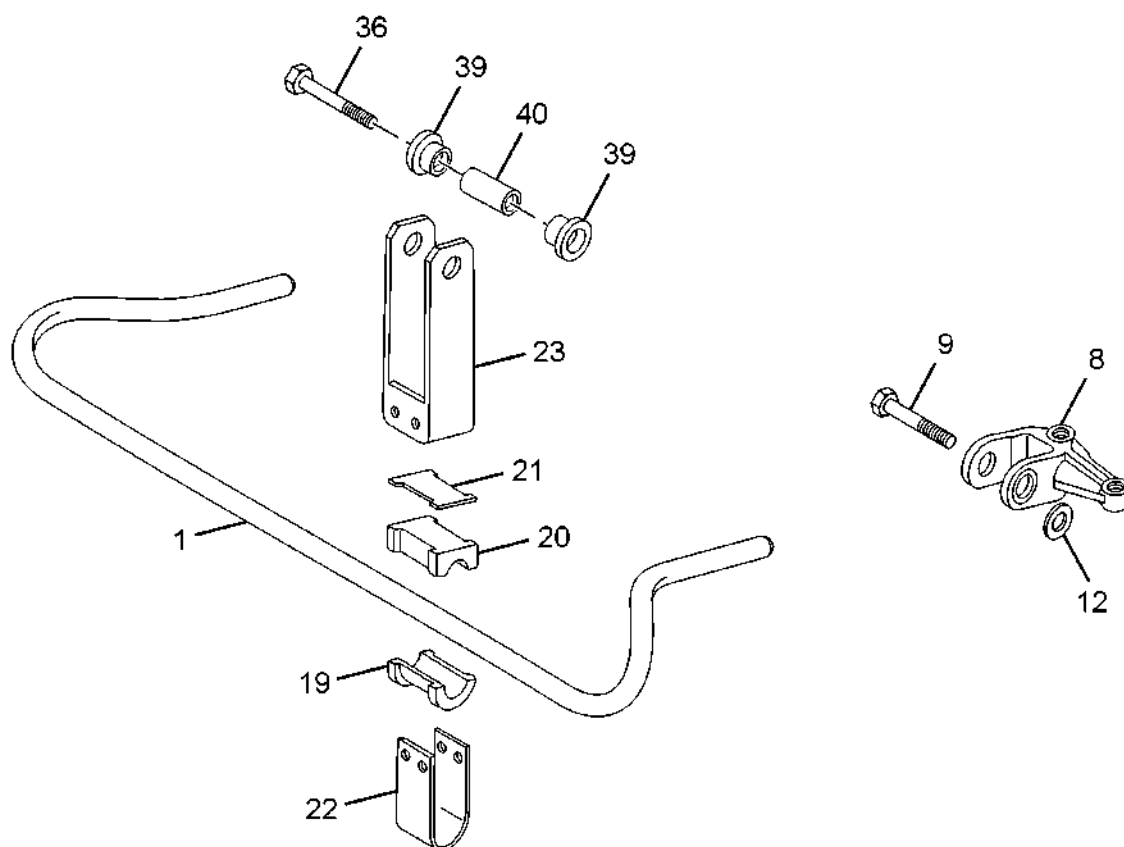
32.32.07C		REAR SHOCK ABSORBER		GROUP 32
CHASSIS TYPE: 412076				
FIG. NO.	PART NUMBER	DESCRIPTION	QTY	REMARKS
1	261832600110	REAR SHOCK ABSORBER	2	
2	11063996191	HEX BOLT M 20X1.5X140	2	
3	257332608601	SPACER	4	
6	261832608002	MOUNTING PIN (SHOCK ABSR.TO MTG BRACKET AT BOTTOM)	4	

CHASSIS TYPE: 412091; 412271



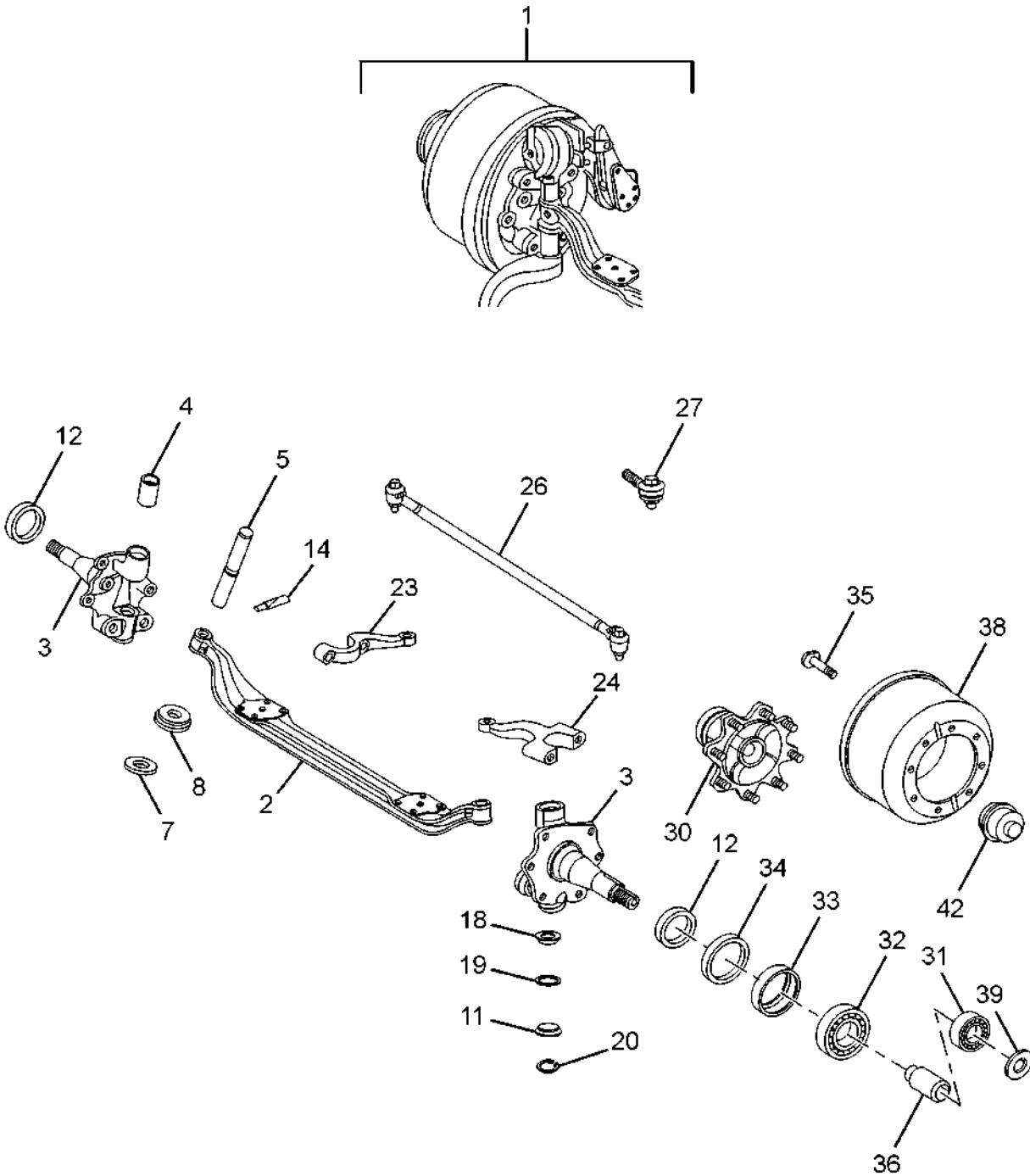
32.32.07D		REAR SHOCK ABSORBER		GROUP 32	
CHASSIS TYPE: 412091; 412271					
FIG. NO.	PART NUMBER	DESCRIPTION	QTY	REMARKS	
1	261832600110	REAR SHOCK ABSORBER	2	FOR CAR CARRIER	
2	11063996191	HEX BOLT M 20X1.5X140	2		
2	257632608005	MOUNTING PIN	2		
3	257332608601	SPACER	4		
6	261832608002	MOUNTING PIN (SHOCK ABSR.TO MTG BRACKET AT BOTTOM)	4		
9	261832600103	REAR SHOCK ABSORBER BRACKET BOTTOM LH	1		
9	261832600101	REAR SHOCK ABSORBER BRACKET BOTTOM RH	1		

CHASSIS TYPE: 412091; 412271; 412076



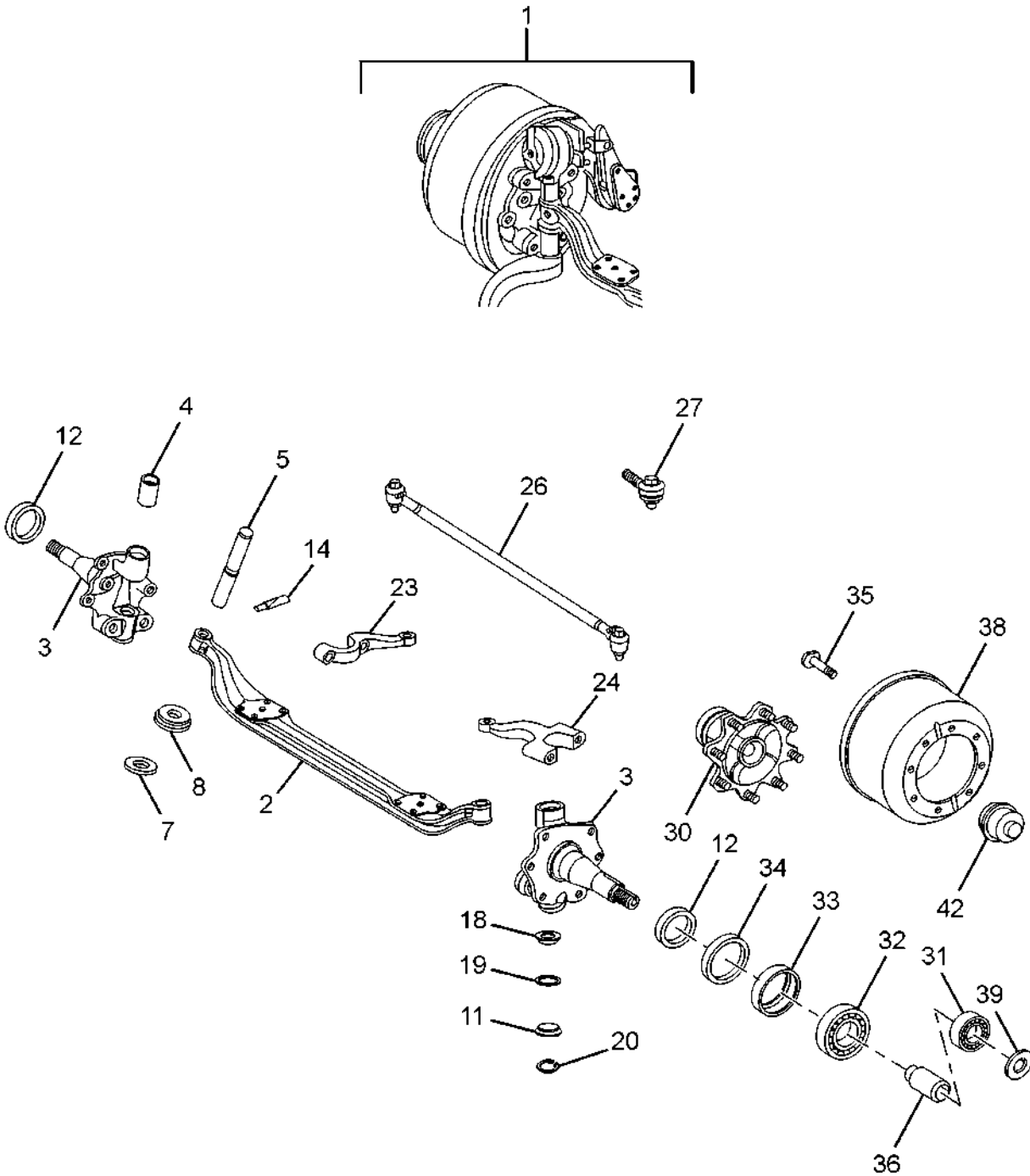
32.32.08		FRONT ANTI-ROLL BAR		GROUP 32
CHASSIS TYPE: 412091; 412271; 412076				
FIG. NO.	PART NUMBER	DESCRIPTION	QTY	REMARKS
1	257132800113	SUB ASSY. ANTIROLL BAR	1	
	257632807502	RUBBER BUSH	4	
	257632808402	SLEEVE	2	
8	206032803305	BRACKET RH	1	
8	206032803306	BRACKET LH	1	
9	264032906702	MOUNTING PIN	2	
12	257632808306	SHIM	AR	
12	257632808307	SHIM	AR	
12	257632808308	SHIM	AR	
19	257132803401	BUSH HALF BOTTOM	2	
20	257132803402	BUSH HALF TOP	2	
21	257632808302	SHIM	AR	
21	257632808303	SHIM	AR	
21	257632808304	SHIM	AR	
22	257632807103	CLAMP	2	
23	257332800117	ASSY.CONNECTING LINK	2	
36	264032906702	MOUNTING PIN	2	
39	257632807502	RUBBER BUSH	4	
40	257632808402	SLEEVE	2	

CHASSIS TYPE: ALL



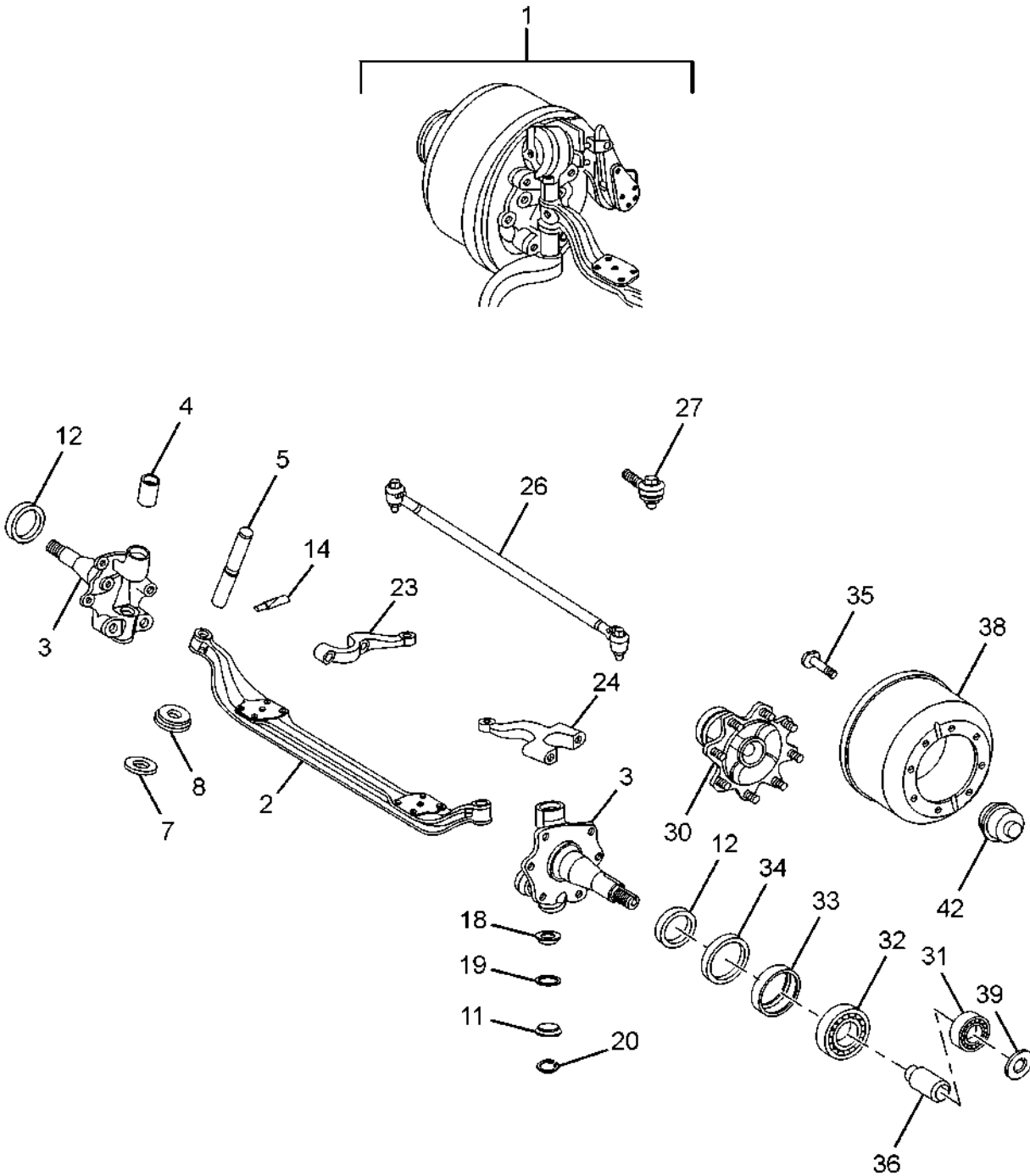
33.33.01		FRONT AXLE		GROUP 33	
CHASSIS TYPE: ALL					
FIG. NO.	PART NUMBER	DESCRIPTION	QTY	REMARKS	
1	277833000101	ASSY FRONT AXLE COMPLETE WITH S-CAM BRAKES	1		
2	257533105107	FRONT AXLE BEAM STD	1		
3	257533200125	ASSY STUB AXLE STD	2		
4	257533203401	BUSH (FOR KING PIN)	4		
5	257633206709	KING PIN STD	2		
7	257533209203	THRUST WASHER UPPER STD	1		
7	257533209207	THRUST WASHER LOWER STD	1		
8	257633203109	TAPERED ROLLER THRUST BEARING STD	1		
	257633207201	PLUG (STUB AXLE-TOP)	2		
11	257533206301	DUST CAP (STUB AXLE)	2		
12	257633208601	SPACER	2		
	257633209212	THRUST WASHER 0.5 MM	AR	FOR SELECTION	
	257633209213	THRUST WASHER 0.8 MM	AR	FOR SELECTION	
	257633209214	THRUST WASHER 0.9 MM	AR	FOR SELECTION	
	257633209215	THRUST WASHER 1.0 MM	AR	FOR SELECTION	
	257633209216	THRUST WASHER 1.1 MM	AR	FOR SELECTION	
	257633209217	THRUST WASHER 1.2 MM	AR	FOR SELECTION	
	257633209218	THRUST WASHER 1.3 MM	AR	FOR SELECTION	
	257633209219	THRUST WASHER 1.4 MM	AR	FOR SELECTION	
	257633209220	THRUST WASHER 1.5 MM	AR	FOR SELECTION	
	257633209221	THRUST WASHER 1.6 MM	AR	FOR SELECTION	
	257633209222	THRUST WASHER 1.7 MM	AR	FOR SELECTION	
14	257633206707	COTTER PIN	2		
18	257633208202	SEALING CAP (STUB AXLE)	4		
19	257633207702	GASKET RING	4		
20	14580605002	INTERNAL CIRCLIP 50X2	2		
23	257633805104	STEERING ARM LH	1		
23	257633805106	STEERING ARM RH	1		
24	257633805107	STEERING ARM TOP	1		
26	3273300403	ASSY. TIE ROD	1		
27	3382629	ASSY. BALL JOINT LH	1		
27	3383429	ASSY. BALL JOINT RH	1		
30	263233400101	ASSY.WHEEL HUB,FRONT,WITH HUB BOLT (W/O BEARINGS)	1	FOR SELECTION	
	257533405104	WHEEL HUB (FRONT) W/O BOLTS AND BEARING	1	FOR SELECTION	
31	257633403103	TAPER ROLLER BEARING, OUTER	2		
32	257633403101	TAPER ROLLER BEARING, INNER	2		
33	257633408601	SPACER	2		

CHASSIS TYPE: ALL



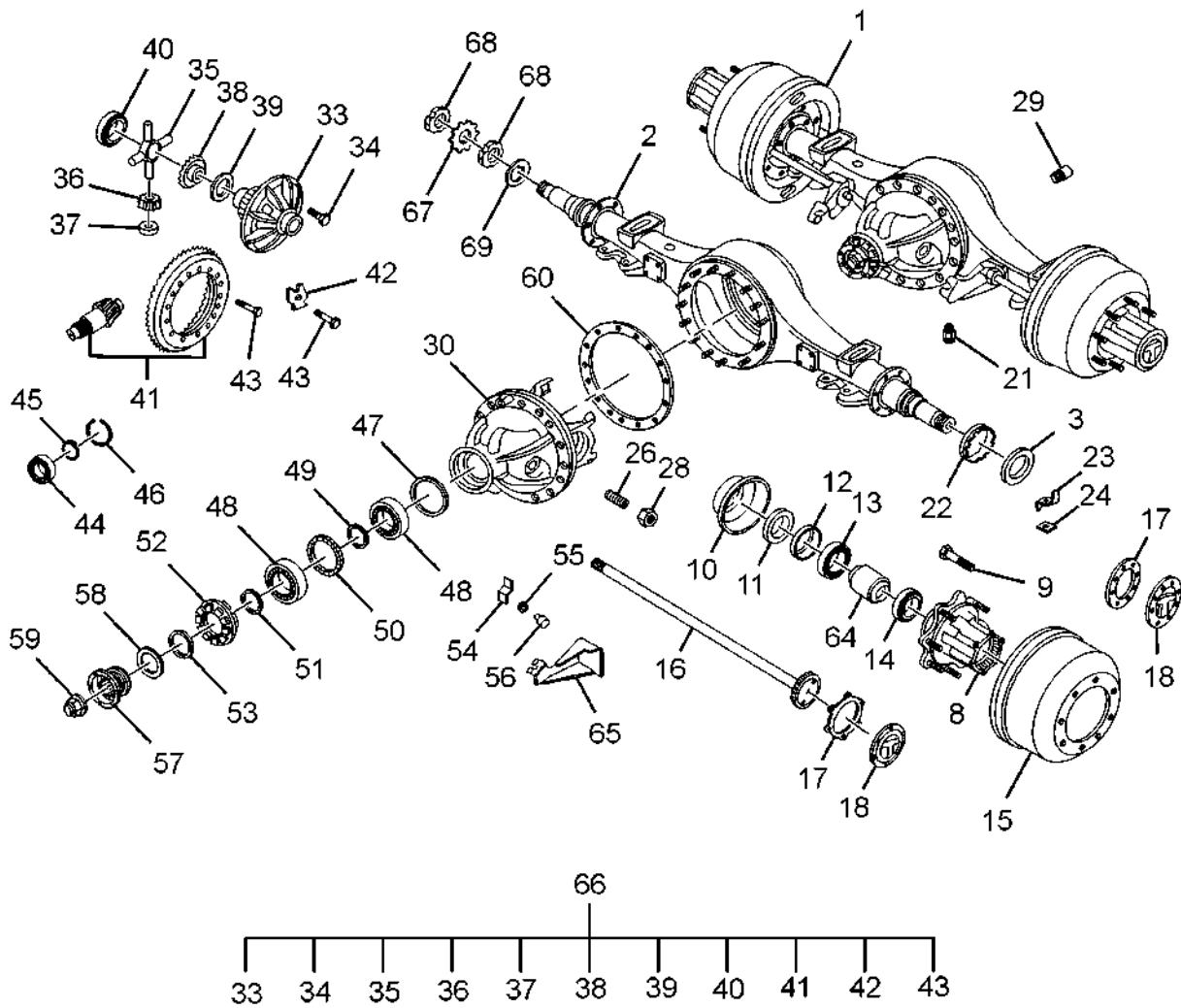
33.33.01		FRONT AXLE		GROUP 33
CHASSIS TYPE: ALL				
FIG. NO.	PART NUMBER	DESCRIPTION	QTY	REMARKS
34	257633407801	SEALING RING	2	
35	263140106701	HUB BOLT (M22)	16	
36	257333408602	SPACER TUBE	2	
	257433408304	SHIM 1.0 THK	AR	
	257433408305	SHIM 0.5 THK	AR	
	257433408306	SHIM 0.3 THK	AR	
	257433408307	SHIM 0.1 THK	AR	
38	257542303705	BRAKE DRUM SPIGOTTED	2	
39	257533409201	THRUST WASHER	2	
42	257433403701	FRONT HUB COVER	2	
	282133209202	WASHER	1	
	0003300003J	TIE ROD REPAIR KIT CONSISTING OF :	1	
	-	UPPER BALL CUP	2	
	-	LOWER BALL CUP	2	
	-	PRESSURE SPRING	2	
	-	LOCKING RING	2	
	-	SPHERICAL PIN	2	
	-	CASTLE NUT	2	
	-	SEAL CAP	2	
	-	THRUST WASHER (BRASS)	2	
	-	THRUST WASHER (STEEL)	2	
		KING PIN REPAIR KITS		
	885433161612	KING PIN REPAIR KIT WITH MINOR KIT & BUSH STD (38.25MM) CONSISTING OF :	1	
	-	KING PIN STD	2	
	-	KING PIN BUSH	4	
	885433011612	KING PIN REPAIR KIT WITH MINOR KIT & BUSH O/S I (38.35MM) CONSISTING OF :	1	
	-	KING PIN O/S I	2	
	-	KING PIN BUSH	4	
	-	MINOR KIT	1	
	885433021612	KING PIN REPAIR KIT WITH MINOR KIT & BUSH O/S II (38.45MM) CONSISTING OF :	1	
	-	KING PIN O/S II	2	
	-	KING PIN BUSH	4	
	-	MINOR KIT	1	
	885433031612	KING PIN REPAIR KIT WITH MINOR KIT & BUSH O/S III (38.55MM) CONSISTING OF :	1	
	-	KING PIN O/S III	2	
	-	KING PIN BUSH	4	
	-	MINOR KIT	1	

CHASSIS TYPE: ALL



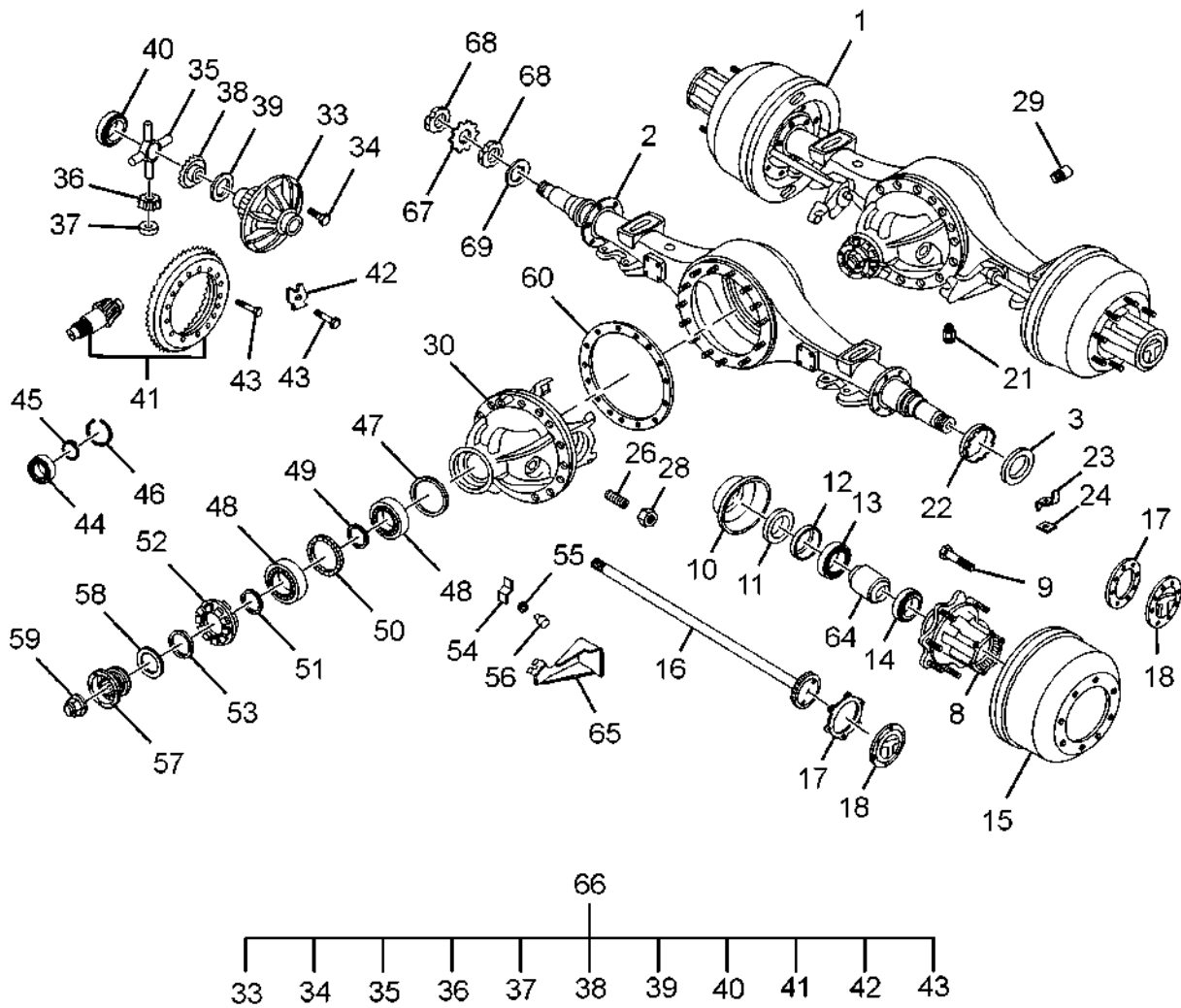
33.33.01		FRONT AXLE		GROUP 33
CHASSIS TYPE: ALL				
FIG. NO.	PART NUMBER	DESCRIPTION	QTY	REMARKS
	885433041612	KING PIN REPAIR KIT WITH MINOR KIT & W/OBUSH STD (38.25MM) CONSISTING OF :	1	
	-	KING PIN STD	1	
	-	MINOR KIT	1	
	885433051612	KING PIN REPAIR KIT WITH MINOR KIT & W/OBUSH O/S I (38.35MM) CONSISTING OF :	1	
	-	KING PIN O/S I	1	
	-	MINOR KIT	1	
	885433061612	KING PIN REPAIR KIT WITH MINOR KIT & W/OBUSH O/S II (38.45MM) CONSISTING OF :	1	
	-	KING PIN O/S II	1	
	-	MINOR KIT	1	
	885433071612	KING PIN REPAIR KIT WITH MINOR KIT & W/OBUSH O/S III (38.55MM) CONSISTING OF :	1	
	-	KING PIN O/S III	1	
	-	MINOR KIT	1	
	885433081612	MINOR KIT CONSISTING OF :	1	
	-	COTTER BOLT	2	
	-	'O' RING	4	
	-	CIRCLIP B-50	4	
	-	SEALING CAP	4	
	-	HEX NUT M 8	2	
	-	SPRING WASHER'	2	
	-	GREASE NIPPLE	4	

CHASSIS TYPE: 412073; 412081; 412073; 412052; 412074; 412080



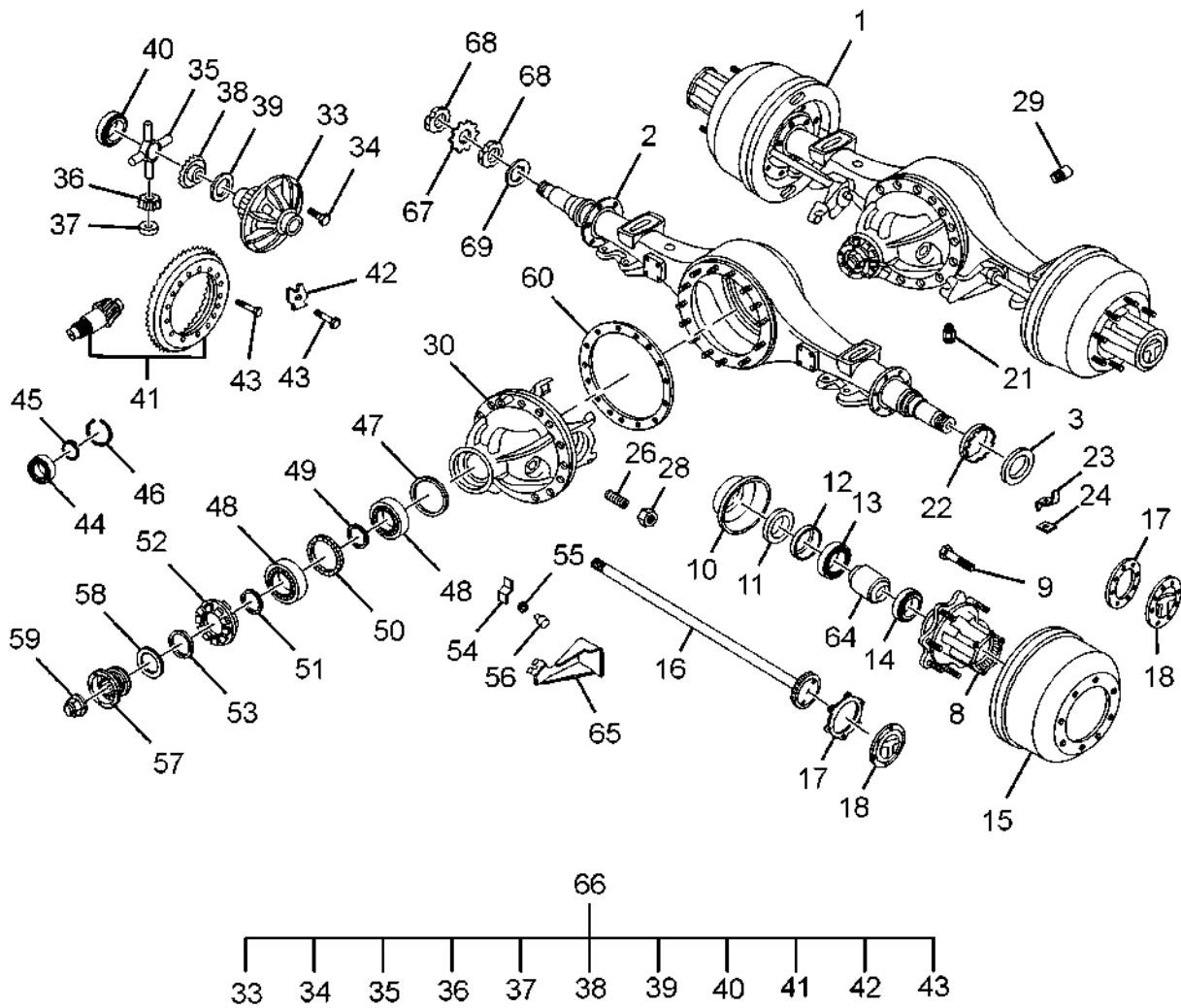
35.35.01A		REAR AXLE		GROUP 35	
CHASSIS TYPE: 412073; 412081; 412073; 412052; 412074; 412080					
FIG. NO.	PART NUMBER	DESCRIPTION	QTY	REMARKS	
1	266835000205	ASSY. RA 108 RR REAR AXLE (37/7 RATIO) COMPLETE	1		
2	257535100145	ASSY. REAR AXLE BEAM	1		
3	257335108201	OIL SLINGER	2		
8	257535600108	ASSY. REAR HUB WITH BEARINGS	2	FOR SELECTION	
8	257535600109	ASSY. REAR HUB (W/O BRGS.)	2	FOR SELECTION	
9	263140206701	WHEEL MOUNTING BOLTS	16		
10	257335608204	OIL CATCHER	2		
11	257635608601	SPACER RING	2		
12	266835607703	OIL SEAL	2		
13	257635603101	TAPER ROLLER BEARING (INNER)	2		
14	257535603110	TAPER ROLLER BEARING (OUTER)	2		
15	257542303705	BRAKE DRUM REAR	2		
16	257535707902	REAR AXLE SHAFT	2		
17	257635605301	GASKET (COVER TO HUB)	2		
18	257635604701	COVER (REAR HUB)	2		
21	266335107207	MAGNETIC DRAIN PLUG	1		
22	3213530025	THREADED RING (TO DIFFL. BEARING)	2		
23	3123531173	LOCKING PLATE (FOR THREADED RING)	2		
24	3129941201	LOCKING PLATE (FOR DIFFERENTIAL)	2		
26	257535300123	ASSY. ADJUSTING PIN	1		
28	3159900051	LOCK NUT	1		
29	266835150102	PRESSURE RELIEF VALVE	1		
		CARRIER ASSEMBLY			
30	257335110106	ASSY. CARRIER HOUSING	1		
	257535113201	BOLT PLUMMER BLOCK COVER	4		
66	266835300106	DIFFERENTIAL ASSY. COMPLETE	1		
33	257535300105	DIFFERENTIAL HOUSING ASSY.	1		
34	257535308001	HEX. COLLAR SCREW	8		
35	257535305101	DIFFERENTIAL SPIDER	1		
36	266835305440	DIFFERENTIAL BEVEL GEAR	4		
37	257535309201	SPHERICAL WASHER (BEVEL GEAR)	4		
38	266835305439	REAR AXLE SHAFT GEAR	2		
39	257335309202	THRUST WASHER 1.95 MM THICK	2	FOR SELECTION	
39	257335309203	THRUST WASHER 2.00 MM THICK	2	FOR SELECTION	
39	257335309204	THRUST WASHER 2.05 MM THICK	2	FOR SELECTION	
39	257335309205	THRUST WASHER 2.10 MM THICK	2	FOR SELECTION	
40	257535303102	TAPER ROLLER BEARING	2		

CHASSIS TYPE: 412073; 412081; 412073; 412052; 412074; 412080



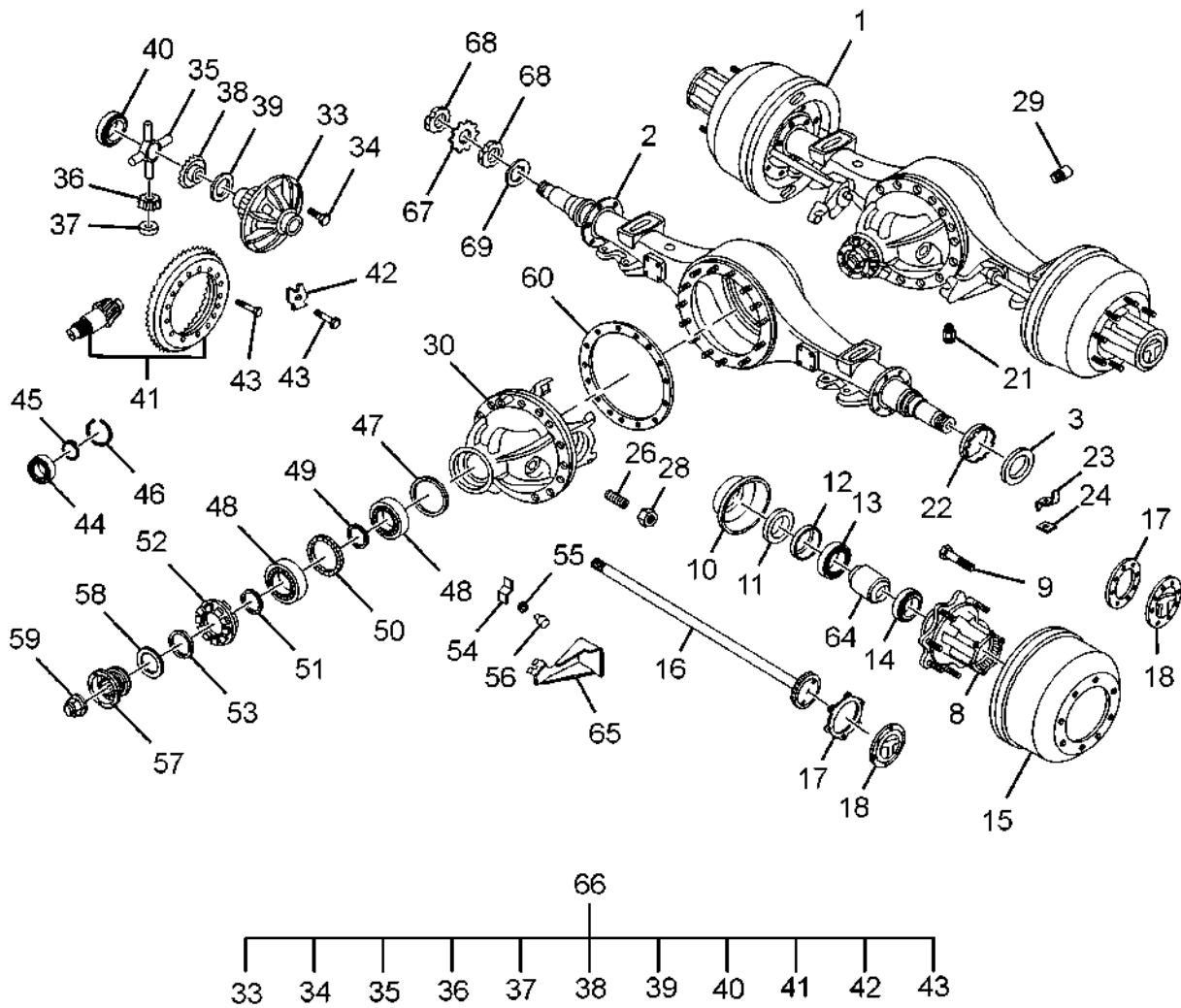
35.35.01A		REAR AXLE		GROUP 35	
CHASSIS TYPE: 412073; 412081; 412073; 412052; 412074; 412080					
FIG. NO.	PART NUMBER	DESCRIPTION	QTY	REMARKS	
41	266835300107	SET OF CROWN WHEEL AND PINION (37/7)	1		
	266835305403	PINION (37/7)	1		
42	3223530273	LOCKING PLATE (TO CROWN WHEEL TO DIFFL. CASE)	8		
43	3229901101	HEX. SCREW (CROWN WHEEL TO DIFFL. CASE)	16		
44	257335303109	CYLINDRICAL ROLLER BEARING (35X80X23)	1		
45	14550603510	CIRCLIP LIGHT A 35X1.5 TS 17635	1		
46	3229940137	LOCKING WIRE	1		
47	206035318306	SHIM 0.10 MM	AR	FOR SELECTION	
47	206035318307	SHIM 0.15 MM	AR	FOR SELECTION	
47	206035318308	SHIM 0.20 MM	AR	FOR SELECTION	
47	206035318309	SHIM 0.50 MM	AR	FOR SELECTION	
47	206035318310	SHIM 1.50 MM	AR	FOR SELECTION	
48	206035013001	TAPER ROLLER BEARING	2		
49	3223530051	SPACER RING (TO DRIVE PINION)	1		
50	3223530152	SPACER RING 10.28 MM THICK	AR	FOR SELECTION	
50	3223530252	SPACER RING 10.30 MM THICK	AR	FOR SELECTION	
50	3223530352	SPACER RING 10.32 MM THICK	AR	FOR SELECTION	
50	3223530452	SPACER RING 10.34 MM THICK	AR	FOR SELECTION	
50	3223530552	SPACER RING 10.36 MM THICK	AR	FOR SELECTION	
50	3223530652	SPACER RING 10.38 MM THICK	AR	FOR SELECTION	
50	3223530752	SPACER RING 10.40 MM THICK	AR	FOR SELECTION	
50	3223530852	SPACER RING 10.42 MM THICK	AR	FOR SELECTION	
50	3223530952	SPACER RING 10.44 MM THICK	AR	FOR SELECTION	
50	3223531052	SPACER RING 10.46 MM THICK	AR	FOR SELECTION	
50	3223531152	SPACER RING 10.48 MM THICK	AR	FOR SELECTION	
50	3223531252	SPACER RING 10.50 MM THICK	AR	FOR SELECTION	
50	3223531352	SPACER RING 10.10 MM THICK	AR	FOR SELECTION	
50	3223531452	SPACER RING 10.12 MM THICK	AR	FOR SELECTION	
50	3223531552	SPACER RING 10.14 MM THICK	AR	FOR SELECTION	
50	3223531652	SPACER RING 10.16 MM THICK	AR	FOR SELECTION	
50	3223531752	SPACER RING 10.18 MM THICK	AR	FOR SELECTION	
50	3223531852	SPACER RING 10.20 MM THICK	AR	FOR SELECTION	
50	3223531952	SPACER RING 10.22 MM THICK	AR	FOR SELECTION	
50	3223532052	SPACER RING 10.24 MM THICK	AR	FOR SELECTION	
50	3223532152	SPACER RING 10.26 MM THICK	AR	FOR SELECTION	
51	266835308601	SPACER (BETWEEN PINION BRG.& COUP.FLANGE)	1		
	266835308201	OIL SLINGER (TAIL PINION)	1		
52	266835306501	THREADED RING (FOR PINION)	1		

CHASSIS TYPE: 412073; 412081; 412073; 412052; 412074; 412080



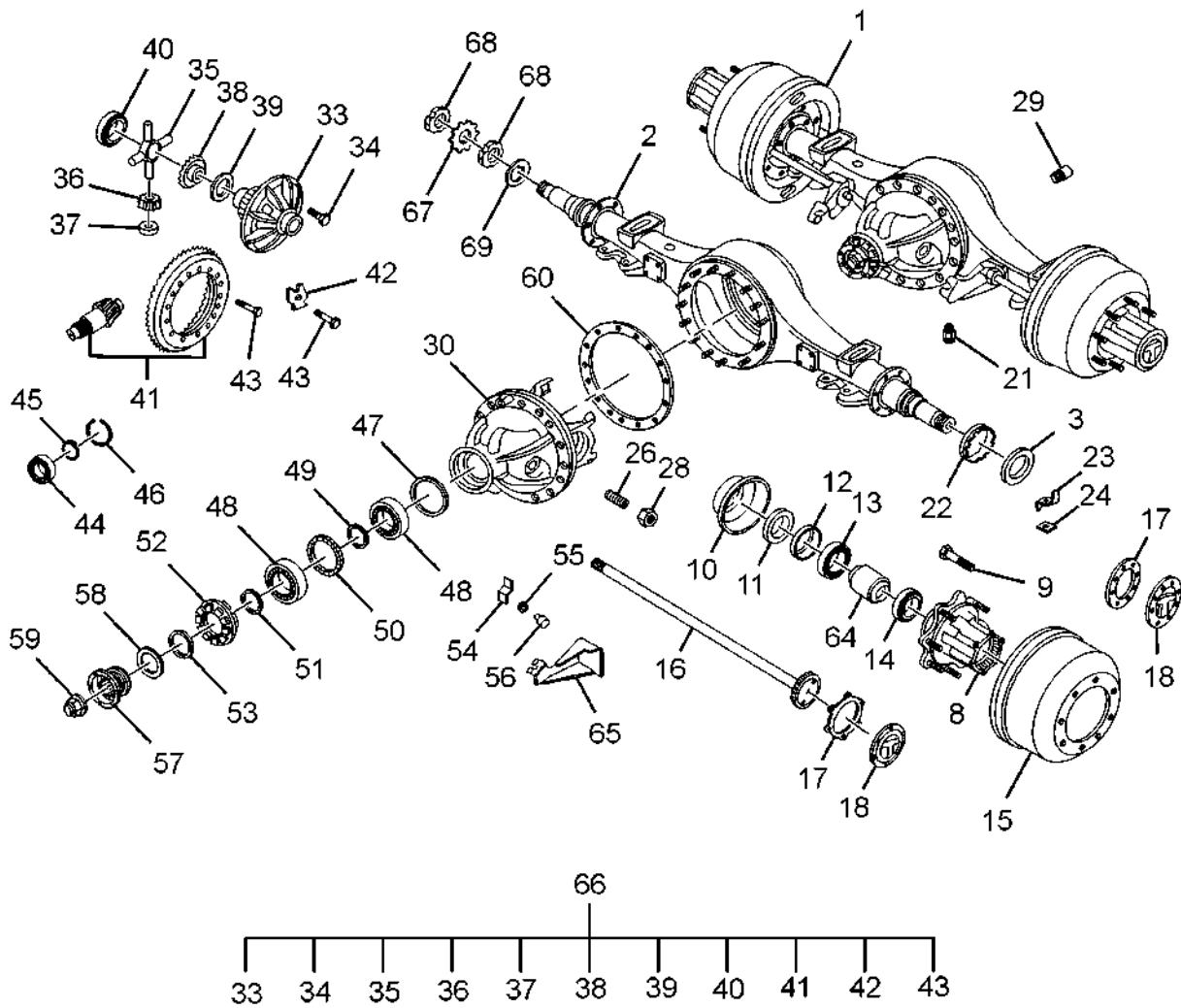
35.35.01A		REAR AXLE		GROUP 35
CHASSIS TYPE: 412073; 412081; 412073; 412052; 412074; 412080				
FIG. NO.	PART NUMBER	DESCRIPTION	QTY	REMARKS
53	257335307705	OIL SEAL (PINION)	1	
54	3223530073	LOCKING PLATE (TO LOCK THREADED RING)	1	
55	12520698025	SPRING WASHER B 8	1	
56	11323996191	HEX. SCREW M 8X12	1	
57	273235305003	COUPLING FLANGE	1	
58	273235308201	DUST COVER	1	
	273235307701	DUST SEAL	1	
59	0423530172J	HEX. NUT (MACHINED)	1	
60	257335115302	GASKET	1	
64	257535608607	SPACER TUBE (BETWEEN HUB BEARINGS)	2	
65	257342300179	ASSY. BRACKET LH	1	
65	257342300180	ASSY. BRACKET RH	1	
67	257335608203	LOCK WASHER	2	
68	257335606506	LOCKING RING	4	
69	257335608605	SPACER	2	
	266835300185	DIFFERENTIAL GEAR & SPIDER KIT	1	
		CONSISTING OF :		
38	-	GEAR (R.A. SHAFT)	2	
36	-	BEVEL PINION	4	
35	-	DIFFERENTIAL SPIDER	1	

CHASSIS TYPE: 412091; 412271; 412076



35.35.01B		REAR AXLE		GROUP 35	
CHASSIS TYPE: 412091; 412271; 412076					
FIG. NO.	PART NUMBER	DESCRIPTION	QTY	REMARKS	
1	266835000103	ASSY. RA 108 RR REAR AXLE (37/7 RATIO) COMPLETE	1		
2	257535100145	ASSY. REAR AXLE BEAM	1		
3	257335108201	OIL SLINGER	2		
8	257535600108	ASSY. REAR HUB WITH BEARINGS	2	FOR SELECTION	
8	257535600109	ASSY. REAR HUB (W/O BRGS.)	2	FOR SELECTION	
9	263140206701	WHEEL MOUNTING BOLTS	16		
10	257335608204	OIL CATCHER	2		
11	257635608601	SPACER RING	2		
12	266835607703	OIL SEAL	2		
13	257635603101	TAPER ROLLER BEARING (INNER)	2		
14	257535603110	TAPER ROLLER BEARING (OUTER)	2		
15	257542303705	BRAKE DRUM REAR	2		
16	257535707902	REAR AXLE SHAFT	2		
17	257635605301	GASKET (COVER TO HUB)	2		
18	257635604701	COVER (REAR HUB)	2		
21	266335107207	MAGNETIC DRAIN PLUG	1		
22	3213530025	THREADED RING (TO DIFFL. BEARING)	2		
23	3123531173	LOCKING PLATE (FOR THREADED RING)	2		
24	3129941201	LOCKING PLATE (FOR DIFFERENTIAL)	2		
26	257535300123	ASSY. ADJUSTING PIN	1		
28	3159900051	LOCK NUT	1		
29	266835150102	PRESSURE RELIEF VALVE	1		
		CARRIER ASSEMBLY			
30	257335110106	ASSY. CARRIER HOUSING	1		
	257535113201	BOLT PLUMMER BLOCK COVER	4		
66	266835300106	DIFFERENTIAL ASSY. COMPLETE	1		
33	257535300105	DIFFERENTIAL HOUSING ASSY.	1		
34	257535308001	HEX. COLLAR SCREW	8		
35	257535305101	DIFFERENTIAL SPIDER	1		
36	266835305440	DIFFERENTIAL BEVEL GEAR	4		
37	257535309201	SPHERICAL WASHER (BEVEL GEAR)	4		
38	266835305439	REAR AXLE SHAFT GEAR	2		
39	257335309202	THRUST WASHER 1.95 MM THICK	2	FOR SELECTION	
39	257335309203	THRUST WASHER 2.00 MM THICK	2	FOR SELECTION	
39	257335309204	THRUST WASHER 2.05 MM THICK	2	FOR SELECTION	
39	257335309205	THRUST WASHER 2.10 MM THICK	2	FOR SELECTION	
40	257535303102	TAPER ROLLER BEARING	2		

CHASSIS TYPE: 412091; 412271; 412076



35.35.01B		REAR AXLE		GROUP 35	
CHASSIS TYPE: 412091; 412271; 412076					
FIG. NO.	PART NUMBER	DESCRIPTION	QTY	REMARKS	
41	266835300107	SET OF CROWN WHEEL AND PINION (37/7)	1		
	266835305403	PINION (37/7)	1		
42	3223530273	LOCKING PLATE (TO CROWN WHEEL TO DIFFL. CASE)	8		
43	3229901101	HEX. SCREW (CROWN WHEEL TO DIFFL. CASE)	16		
44	257335303109	CYLINDRICAL ROLLER BEARING (35X80X23)	1		
45	14550603510	CIRCLIP LIGHT A 35X1.5 TS 17635	1		
46	3229940137	LOCKING WIRE	1		
47	206035318306	SHIM 0.10 MM	AR	FOR SELECTION	
47	206035318307	SHIM 0.15 MM	AR	FOR SELECTION	
47	206035318308	SHIM 0.20 MM	AR	FOR SELECTION	
47	206035318309	SHIM 0.50 MM	AR	FOR SELECTION	
47	206035318310	SHIM 1.50 MM	AR	FOR SELECTION	
48	206035013001	TAPER ROLLER BEARING	2		
49	3223530051	SPACER RING (TO DRIVE PINION)	1		
50	3223530152	SPACER RING 10.28 MM THICK	AR	FOR SELECTION	
50	3223530252	SPACER RING 10.30 MM THICK	AR	FOR SELECTION	
50	3223530352	SPACER RING 10.32 MM THICK	AR	FOR SELECTION	
50	3223530452	SPACER RING 10.34 MM THICK	AR	FOR SELECTION	
50	3223530552	SPACER RING 10.36 MM THICK	AR	FOR SELECTION	
50	3223530652	SPACER RING 10.38 MM THICK	AR	FOR SELECTION	
50	3223530752	SPACER RING 10.40 MM THICK	AR	FOR SELECTION	
50	3223530852	SPACER RING 10.42 MM THICK	AR	FOR SELECTION	
50	3223530952	SPACER RING 10.44 MM THICK	AR	FOR SELECTION	
50	3223531052	SPACER RING 10.46 MM THICK	AR	FOR SELECTION	
50	3223531152	SPACER RING 10.48 MM THICK	AR	FOR SELECTION	
50	3223531252	SPACER RING 10.50 MM THICK	AR	FOR SELECTION	
50	3223531352	SPACER RING 10.10 MM THICK	AR	FOR SELECTION	
50	3223531452	SPACER RING 10.12 MM THICK	AR	FOR SELECTION	
50	3223531552	SPACER RING 10.14 MM THICK	AR	FOR SELECTION	
50	3223531652	SPACER RING 10.16 MM THICK	AR	FOR SELECTION	
50	3223531752	SPACER RING 10.18 MM THICK	AR	FOR SELECTION	
50	3223531852	SPACER RING 10.20 MM THICK	AR	FOR SELECTION	
50	3223531952	SPACER RING 10.22 MM THICK	AR	FOR SELECTION	
50	3223532052	SPACER RING 10.24 MM THICK	AR	FOR SELECTION	
50	3223532152	SPACER RING 10.26 MM THICK	AR	FOR SELECTION	
51	266835308601	SPACER (BETWEEN PINION BRG.& COUP.FLANGE)	1		
	266835308201	OIL SLINGER (TAIL PINION)	1		
52	266835306501	THREADED RING (FOR PINION)	1		

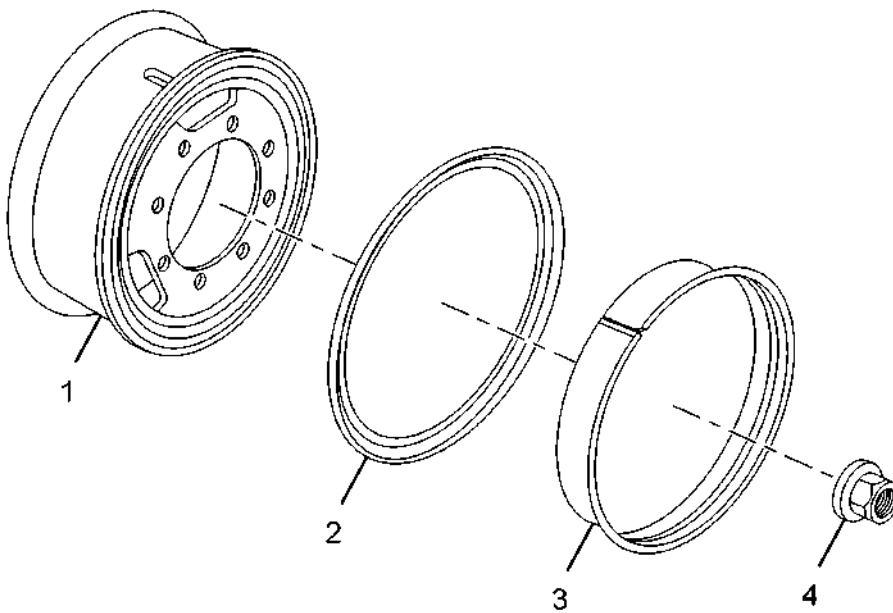
35.35.01B		REAR AXLE		GROUP 35
CHASSIS TYPE: 412091; 412271; 412076				
FIG. NO.	PART NUMBER	DESCRIPTION	QTY	REMARKS
53	257335307705	OIL SEAL (PINION)	1	
54	3223530073	LOCKING PLATE (TO LOCK THREADED RING)	1	
55	12520698025	SPRING WASHER B 8	1	
56	11323996191	HEX. SCREW M 8X12	1	
57	273235305003	COUPLING FLANGE	1	
58	273235308201	DUST COVER	1	
	273235307701	DUST SEAL	1	
59	0423530172J	HEX. NUT (MACHINED)	1	
60	257335115302	GASKET	1	
64	257535608607	SPACER TUBE (BETWEEN HUB BEARINGS)	2	
65	257342300179	ASSY. BRACKET LH	1	
65	257342300180	ASSY. BRACKET RH	1	
67	257335608203	LOCK WASHER	2	
68	257335606506	LOCKING RING	4	
69	257335608605	SPACER	2	
	266835300185	DIFFERENTIAL GEAR & SPIDER KIT	1	
		CONSISTING OF :		
38	-	GEAR (R.A. SHAFT)	2	
36	-	BEVEL PINION	4	
35	-	DIFFERENTIAL SPIDER	1	

40.40.01A

WHEEL DISC

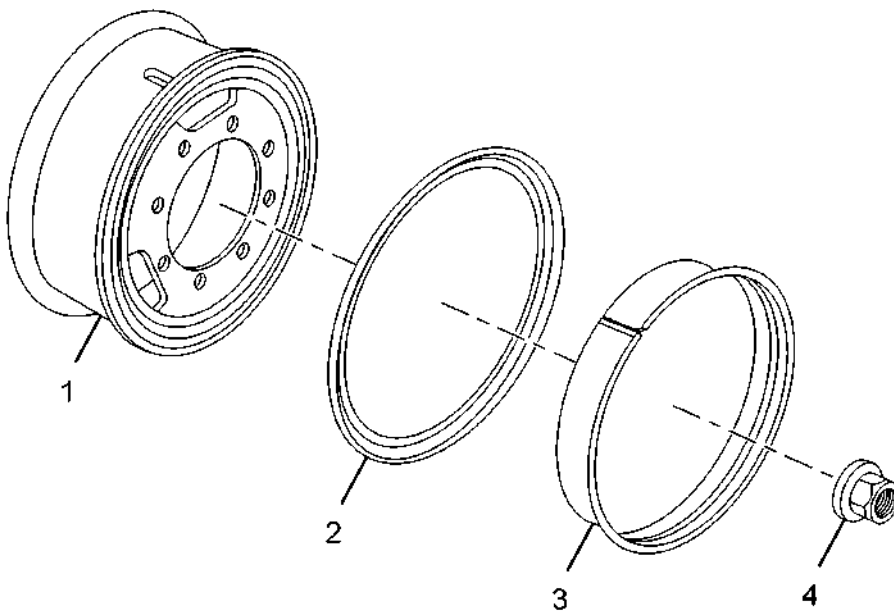
GROUP 40

CHASSIS TYPE: 412073; 412081; 412073; 412052; 412074; 412080



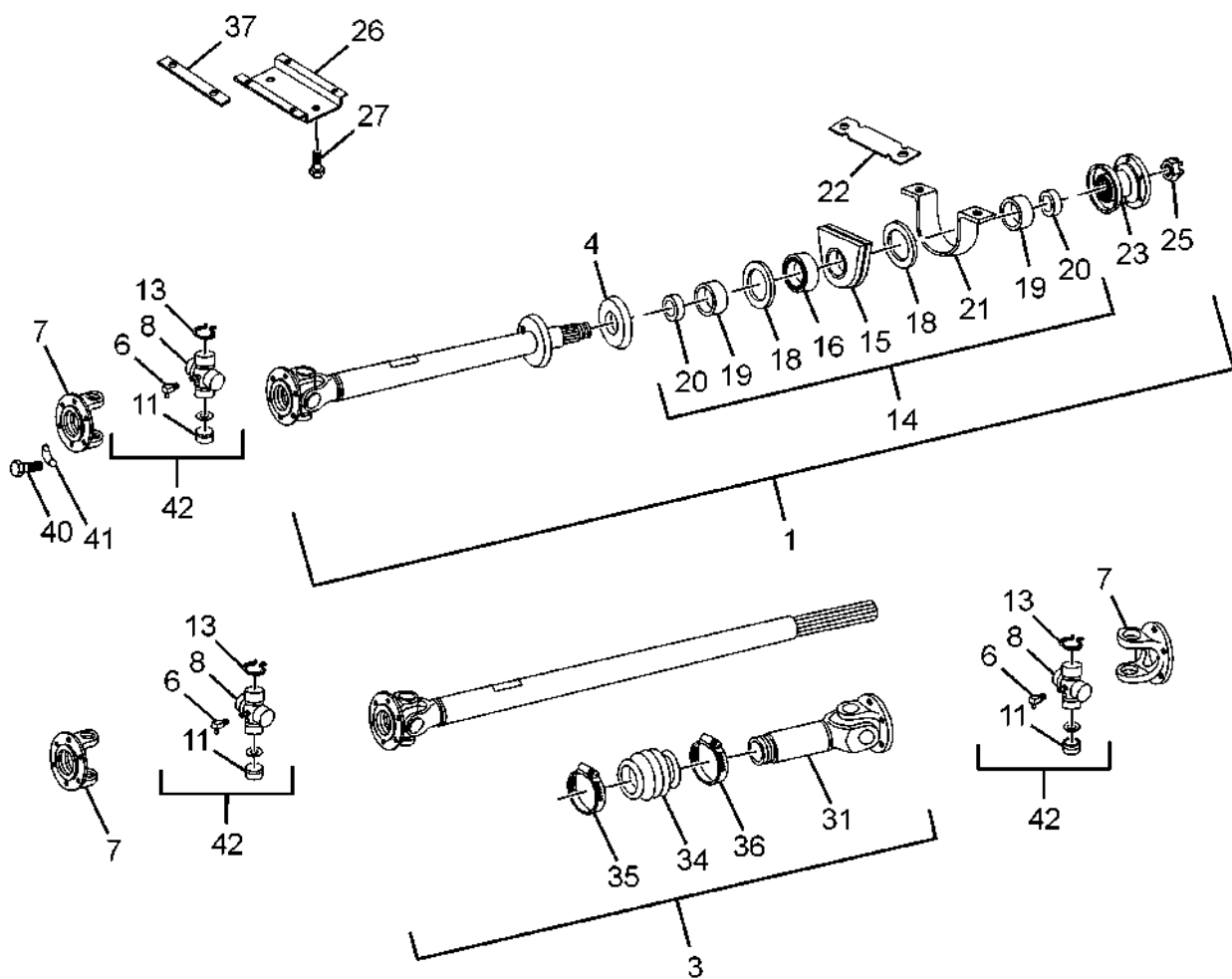
40.40.01A		WHEEL DISC		GROUP 40	
CHASSIS TYPE: 412073; 412081; 412073; 412052; 412074; 412080					
FIG. NO.	PART NUMBER	DESCRIPTION	QTY	REMARKS	
1	257440100121	ASSY WHEEL DISC & RIM (7X20)	7	FOR SELECTION	
1	283840100101	ASSY WHEEL DISC & RIM (7X20)--CHINA	7	FOR SELECTION	
2	0004010006J	SIDE RING (FOR 3 PIECE WHEEL DISC)	7		
3	0004010007J	LOCKING RING (FOR 3 PIECE WHEEL DISC)	7		
3	257540106101	LOCKING RING (FOR 2 PIECE WHEEL DISC)	7		
4	263140100107	ASSY. WHEEL NUT (M22, LG = 33 MM)	32		

CHASSIS TYPE: 412091; 412271; 412076



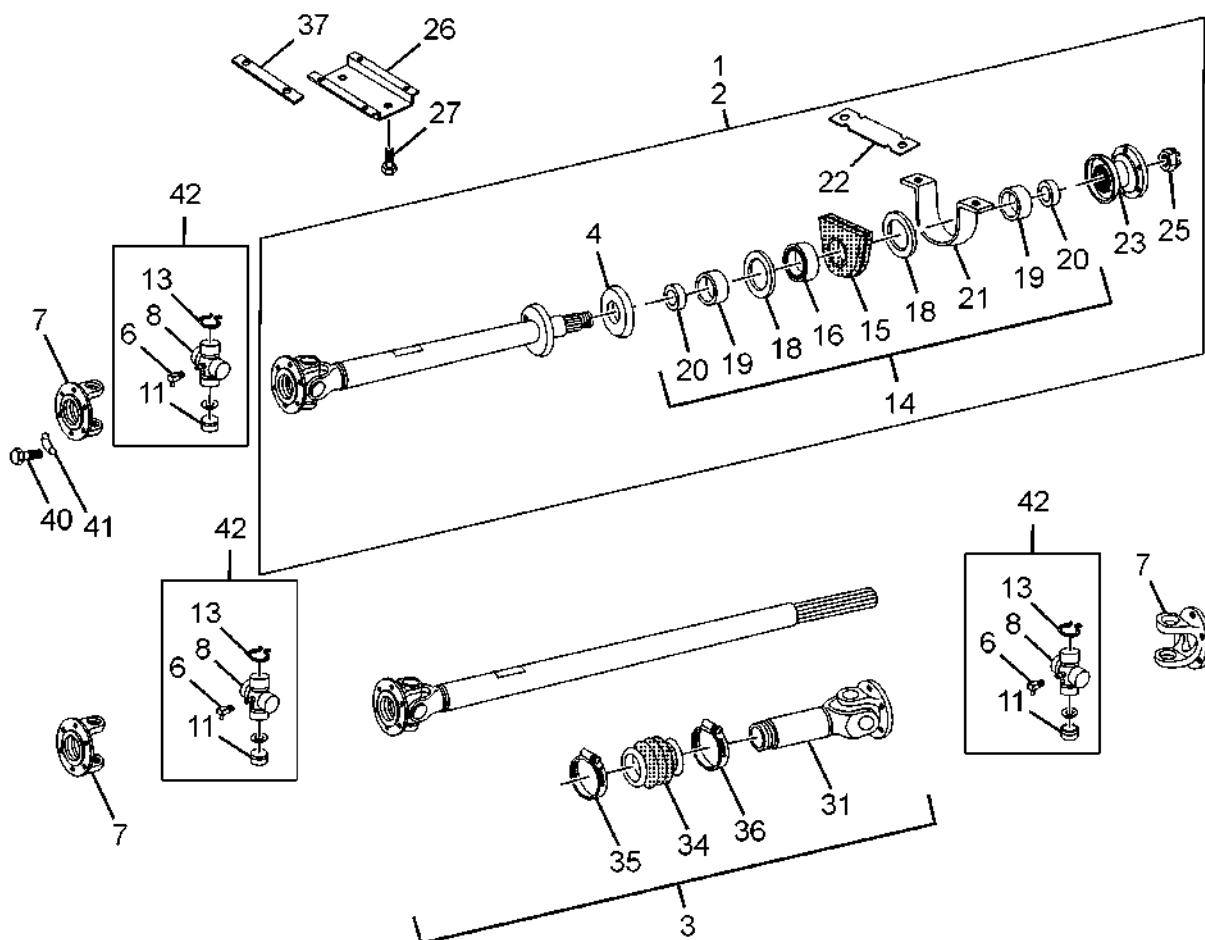
40.40.01B		WHEEL DISC		GROUP 40	
CHASSIS TYPE: 412091; 412271; 412076					
FIG. NO.	PART NUMBER	DESCRIPTION	QTY	REMARKS	
1	257440100121	ASSY WHEEL DISC & RIM (7X20)	7	FOR SELECTION	
1	283840100101	ASSY WHEEL DISC & RIM (7X20)--CHINA	7	FOR SELECTION	
1	257540100109	ASSY WHEEL DISC & RIM (7X20)	7	FOR CAR CARRIER; FOR SELECTION	
1	263240100107	ASSY WHEEL DISC & RIM (7X20)--CHINA	7	FOR CAR CARRIER; FOR SELECTION	
2	0004010006J	SIDE RING (FOR 3 PIECE WHEEL DISC)	7		
3	0004010007J	LOCKING RING (FOR 3 PIECE WHEEL DISC)	7		
3	257540106101	LOCKING RING (FOR 2 PIECE WHEEL DISC)	7		
4	263140100107	ASSY. WHEEL NUT (M22, LG = 33 MM)	32		

CHASSIS TYPE: 412052



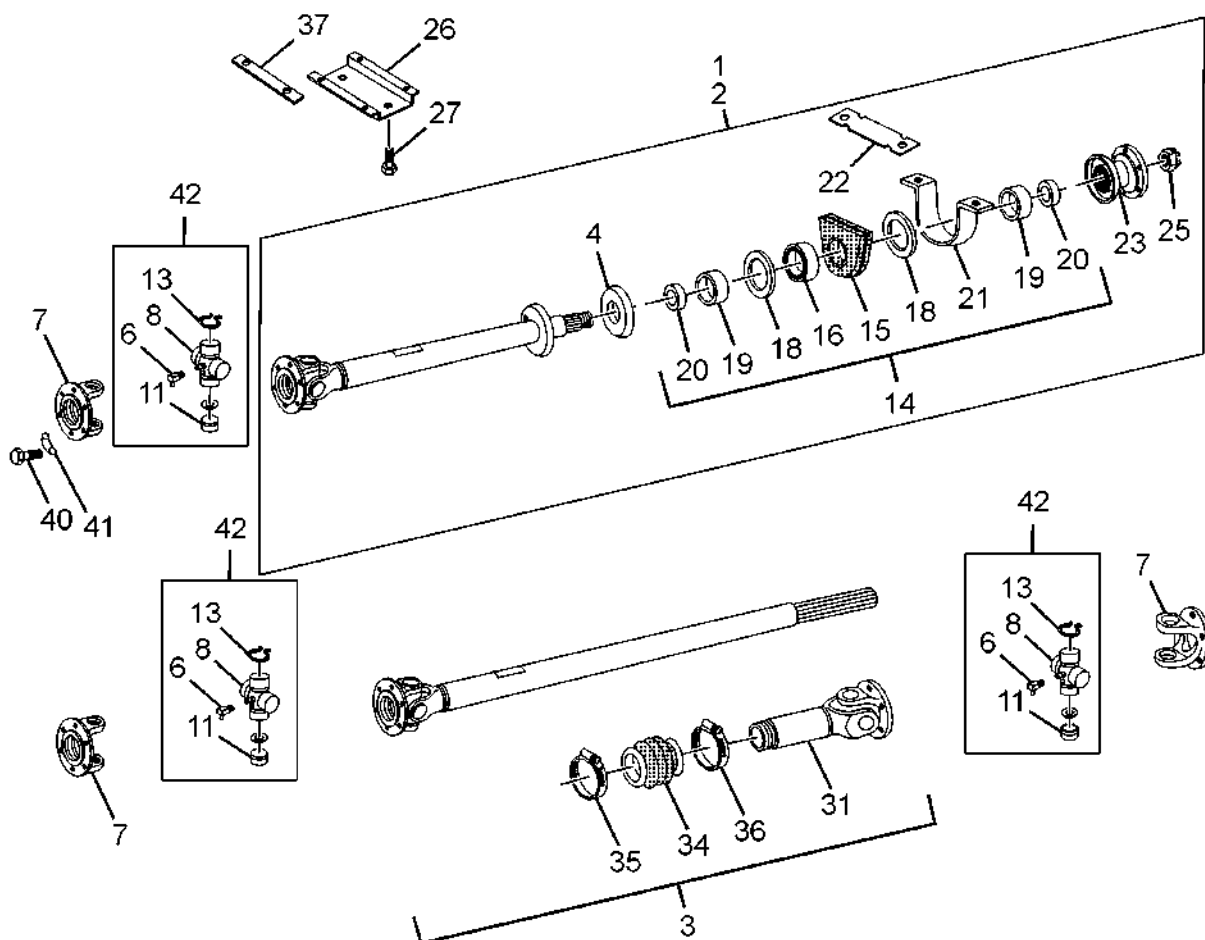
41.41.01A		PROPELLER SHAFT		GROUP 41
CHASSIS TYPE: 412052				
FIG. NO.	PART NUMBER	DESCRIPTION	QTY	REMARKS
1	207441100110	ASSY PROP. SHAFT WITH CENTRE BEARING FRONT (L=786)	1	
3	257441120113	ASSY. PROP. SHAFT REAR COMPLETE (L=1134)	1	
4	263241308202	DUST COVER	4	
7	257641115110	FLANGE YOKE (8 HOLES)	3	
14	263241300102	ASSY. CENTRE BEARING BRACKET GREASABLE	1	
15	257641306301	RUBBER HOUSING	1	
16	257441303104	SRDG BALL BRG.	1	
18	257641304301	SNAP RING	2	
19	263241307801	OIL SEAL	2	
20	263241308602	SPACER	2	
21	257641303301	CENTRE BEARING BRACKET	1	
22	257641304201	CLAMP	1	
23	263241110111	ASSY COUPLING FLANGE	1	
25	0423530172J	HEX. NUT	1	
26	207441303302	BRACKET FOR CENTRE BEARING	1	
27	257641108002	SCREW	2	
31	257641120121	ASSY. UNIVERSAL JOINT LONG FORK COMPLETE	1	
34	260041127501	RUBBER BOOT	1	
35	14280500802	HOSE CLAMP 80	1	
36	14280501001	HOSE CLAMP 100	1	
37	257341308217	SPACER PLATE	4	
40	257641113201	BOLT	32	
41	257641116101	LOCKING PLATE	16	
42	885441211612	ASSY. CROSS KIT CONSISTING OF :	1	
11	-	ASSY. BEARING CUP	4	
8	-	CROSS	1	
-	-	END RING	4	
-	-	ADAPTER	1	
6	-	GREASE NIPPLE AM 10X1	1	
-	-	HEX. THIN NUT M 8X1	1	
13	-	SPRING RING	4	

CHASSIS TYPE: 412073; 412073; 412074



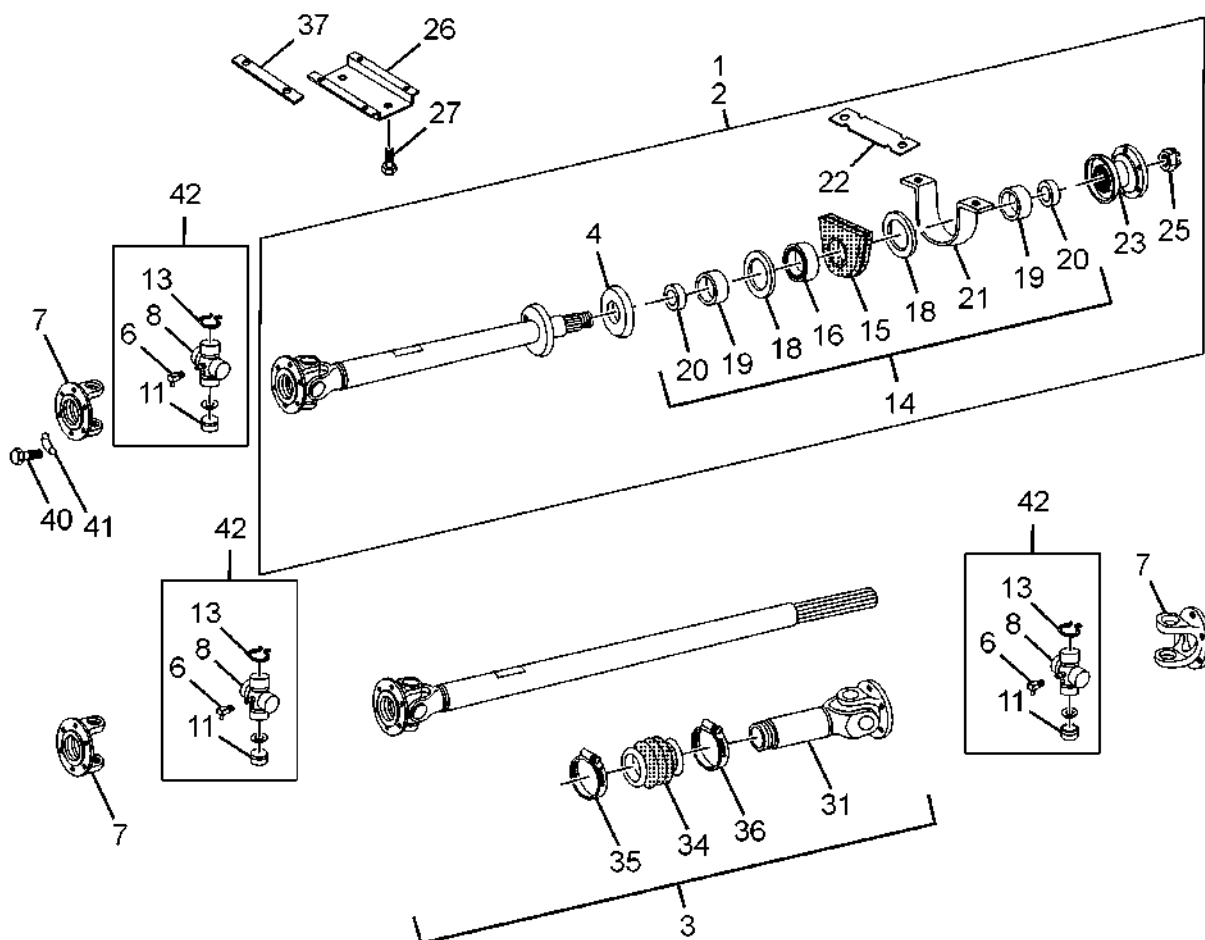
41.41.01B		PROPELLER SHAFT		GROUP 41
CHASSIS TYPE: 412073; 412073; 412074				
FIG. NO.	PART NUMBER	DESCRIPTION	QTY	REMARKS
1	278341100107	ASSY PROP. SHAFT WITH CENTRE BEARING FRONT (L=134)	1	
1	260141110122	ASSY PROP. SHAFT WITH CENTRE BEARING FRONT (L=1876)	1	MSRTC
2	278241100101	ASSY. PROP. SHAFT WITH CENTRE BEARING MIDDLE (L=1560)	1	
3	257441120167	ASSY. PROP. SHAFT REAR COMPLETE (L=1174)	1	
3	257541120105	ASSY. PROP. SHAFT REAR COMPLETE (L=1885)	1	MSRTC
4	263241308202	DUST COVER	4	
7	257641115110	FLANGE YOKE (8 HOLES)	4	
14	263241300102	ASSY. CENTRE BEARING BRACKET GREASABLE	2	
14	263241300104	ASSY. CENTRE BEARING BRACKET GREASABLE	2*	MSRTC
15	257641306301	RUBBER HOUSING	2	
16	257441303104	SRDG BALL BRG.	2	
18	257641304301	SNAP RING	4	
19	263241307801	OIL SEAL	4	
20	263241308602	SPACER	4	
21	257641303301	CENTRE BEARING BRACKET	2	
21	263241300103	CENTRE BEARING BRACKET	2*	MSRTC
22	257641304201	CLAMP	2	
22	263241304201	CLAMP	2*	MSRTC
23	263241110111	ASSY COUPLING FLANGE	2	
25	0423530172J	HEX. NUT	2	
26	276341303301	BRACKET FOR CENTRE BEARING	1	MSRTC
	277041303301	SPACER BRACKET (CENTRE BRG.MTG.FRONT)	1	
	277041303302	SPACER BRACKET (CENTRE BRG.MTG. REAR)	1	
27	257641108002	SCREW	4	
31	257641120121	ASSY. UNIVERSAL JOINT LONG FORK COMPLETE	1	
34	260041127501	RUBBER BOOT	1	
35	14280500802	HOSE CLAMP 80	1	
36	14280501001	HOSE CLAMP 100	1	
37	257341308217	SPACER PLATE	8	
40	257641113201	BOLT	32	
41	257641116101	LOCKING PLATE	16	

CHASSIS TYPE: 412073; 412073; 412074



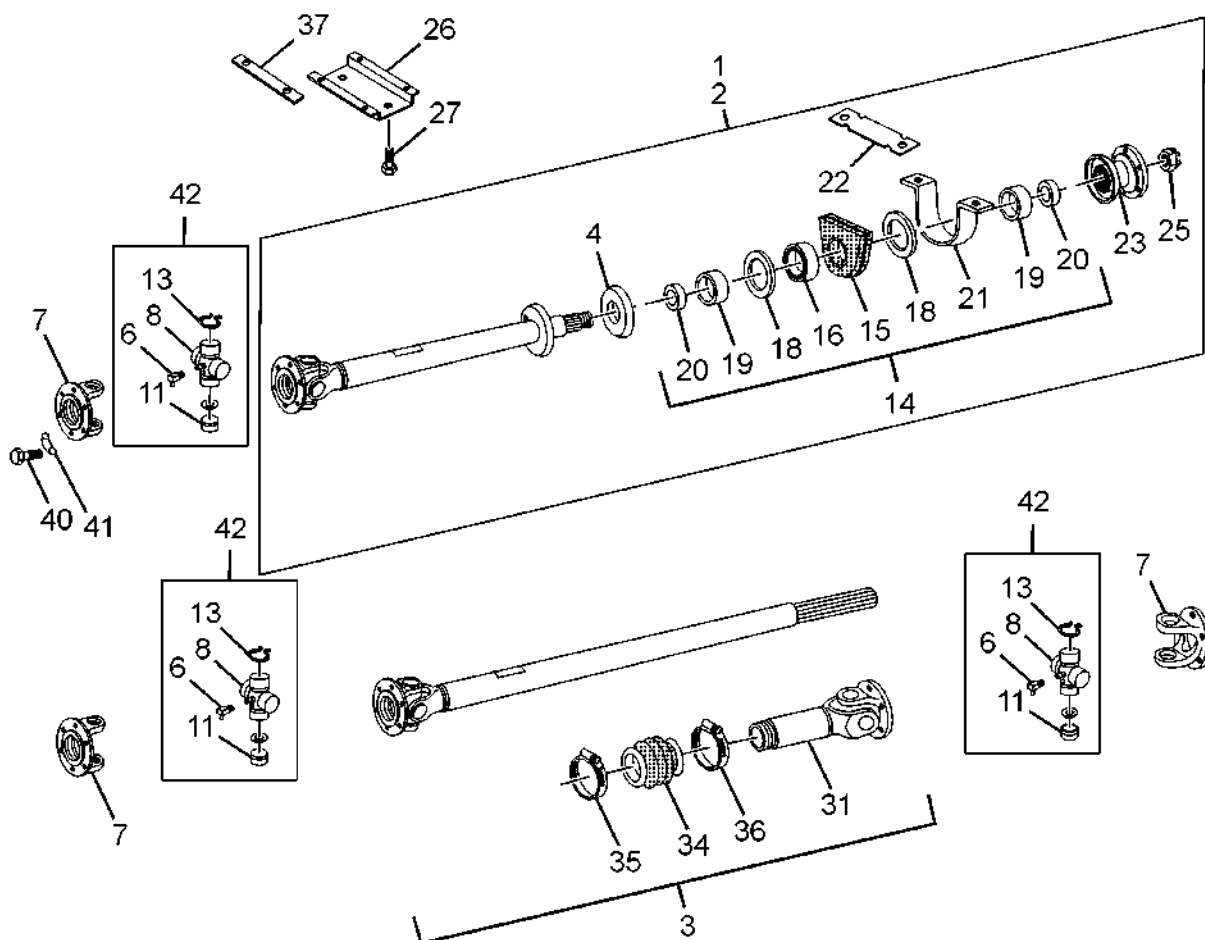
41.41.01B		PROPELLER SHAFT		GROUP 41	
CHASSIS TYPE: 412073; 412073; 412074					
FIG. NO.	PART NUMBER	DESCRIPTION	QTY	REMARKS	
42	885441211612	ASSY. CROSS KIT CONSISTING OF :	1		
11	-	ASSY. BEARING CUP	4		
8	-	CROSS	1		
	-	END RING	4		
	-	ADAPTER	1		
6	-	GREASE NIPPLE AM 10X1	1		
	-	HEX. THIN NUT M 8X1	1		
13	-	SPRING RING	4		

CHASSIS TYPE: 412081; 412080



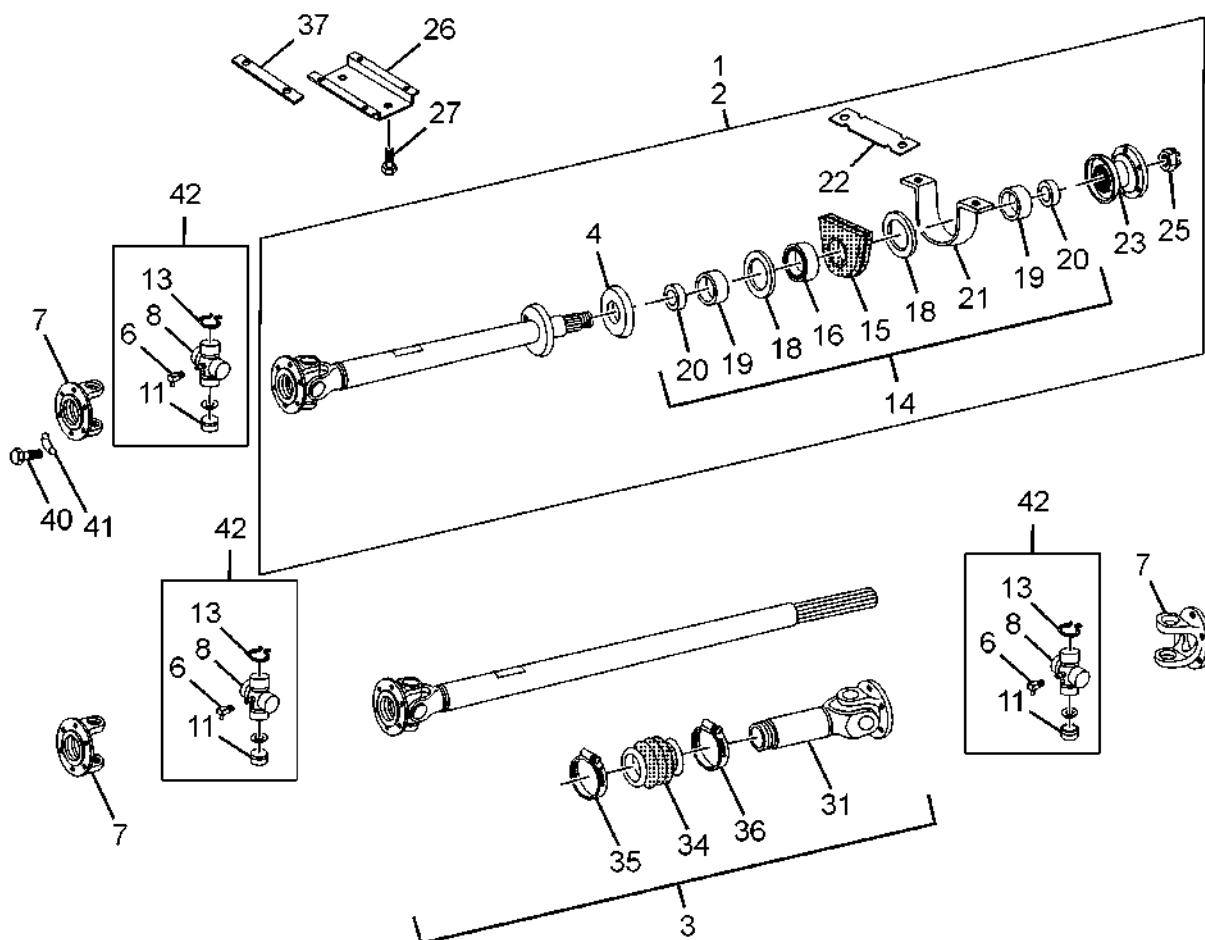
41.41.01C		PROPELLER SHAFT		GROUP 41
CHASSIS TYPE: 412081; 412080				
FIG. NO.	PART NUMBER	DESCRIPTION	QTY	REMARKS
1	277041110104	ASSY PROP. SHAFT WITH CENTRE BEARING FRONT (L=1111)	1	
2	275541110107	ASSY. PROP. SHAFT WITH CENTRE BEARING MIDDLE (L=1303)	1	
3	275541120101	ASSY. PROP. SHAFT REAR COMPLETE (L=1164)	1	
4	263241308202	DUST COVER	4	
7	257641115110	FLANGE YOKE (8 HOLES)	4	
14	263241300104	ASSY. CENTRE BEARING BRACKET GREASABLE	2	FOR MSRTC
15	257641306301	RUBBER HOUSING	2	
16	257441303104	SRDG BALL BRG.	2	
18	257641304301	SNAP RING	4	
19	263241307801	OIL SEAL	4	
20	263241308602	SPACER	4	
21	263241300103	CENTRE BEARING BRACKET	2	FOR MSRTC
22	263241304201	CLAMP	2	FOR MSRTC
23	263241110111	ASSY COUPLING FLANGE	2	
25	0423530172J	HEX. NUT	2	
26	275541303302	BRACKET FOR CENTRE BEARING	1	
26	276341303302	BRACKET FOR CENTRE BEARING (ON CROSS MEMEBER)	1	
27	257641108002	SCREW	4	
31	257641120121	ASSY. UNIVERSAL JOINT LONG FORK COMPLETE	1	
34	260041127501	RUBBER BOOT	1	
35	14280500802	HOSE CLAMP 80	1	
36	14280501001	HOSE CLAMP 100	1	
37	257341308217	SPACER PLATE	8	
40	257641113201	BOLT	32	
41	257641116101	LOCKING PLATE	16	
42	885441211612	ASSY. CROSS KIT CONSISTING OF :	1	
11	-	ASSY. BEARING CUP	4	
8	-	CROSS	1	
	-	END RING	4	
	-	ADAPTER	1	
6	-	GREASE NIPPLE AM 10X1	1	
	-	HEX. THIN NUT M 8X1	1	
13	-	SPRING RING	4	

CHASSIS TYPE: 412076



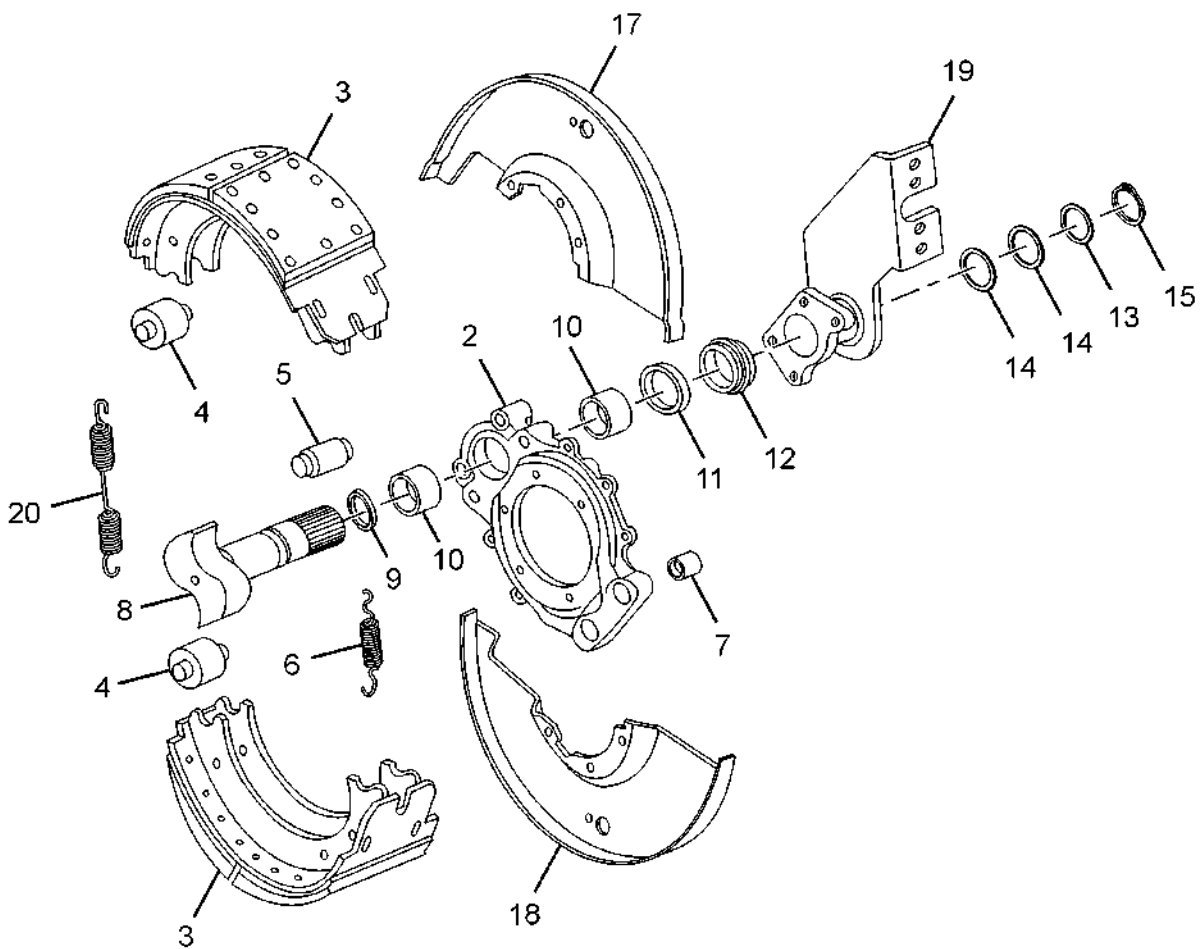
41.41.01D		PROPELLER SHAFT		GROUP 41
CHASSIS TYPE: 412076				
FIG. NO.	PART NUMBER	DESCRIPTION	QTY	REMARKS
1	207341100101	ASSY PROP. SHAFT WITH CENTRE BEARING FRONT (L=1586)	1	
2	275041100103	ASSY. PROP. SHAFT WITH CENTRE BEARING MIDDLE (L=808)	1	
3	257641120145	ASSY. PROP. SHAFT REAR COMPLETE (L=1529)	1	
4	263241308202	DUST COVER	4	
7	257641115110	FLANGE YOKE (8 HOLES)	4	
14	263241300102	ASSY. CENTRE BEARING BRACKET GREASABLE	2	
15	257641306301	RUBBER HOUSING	2	
16	257441303104	SRDG BALL BRG.	2	
18	257641304301	SNAP RING	4	
19	263241307801	OIL SEAL	4	
20	263241308602	SPACER	4	
21	257641303301	CENTRE BEARING BRACKET	2	
22	257641304201	CLAMP	2	
23	263241110111	ASSY COUPLING FLANGE	2	
25	0423530172J	HEX. NUT	2	
26	275041303301	BRACKET FOR CENTRE BEARING (FOR 1ST PROP. SHAFT)	1	
26	275041303302	BRACKET FOR CENTRE BEARING (FOR 2ND PROP. SHAFT)	1	
27	257641108002	SCREW	4	
31	257641120121	ASSY. UNIVERSAL JOINT LONG FORK COMPLETE	1	
34	260041127501	RUBBER BOOT	1	
35	14280500802	HOSE CLAMP 80	1	
36	14280501001	HOSE CLAMP 100	1	
37	257341308217	SPACER PLATE	8	
40	257641113201	BOLT	32	
41	257641116101	LOCKING PLATE	16	
42	885441211612	ASSY. CROSS KIT CONSISTING OF :	1	
11	-	ASSY. BEARING CUP	4	
8	-	CROSS	1	
	-	END RING	4	
	-	ADAPTER	1	
6	-	GREASE NIPPLE AM 10X1	1	
	-	HEX. THIN NUT M 8X1	1	
13	-	SPRING RING	4	

CHASSIS TYPE: 412091; 412271



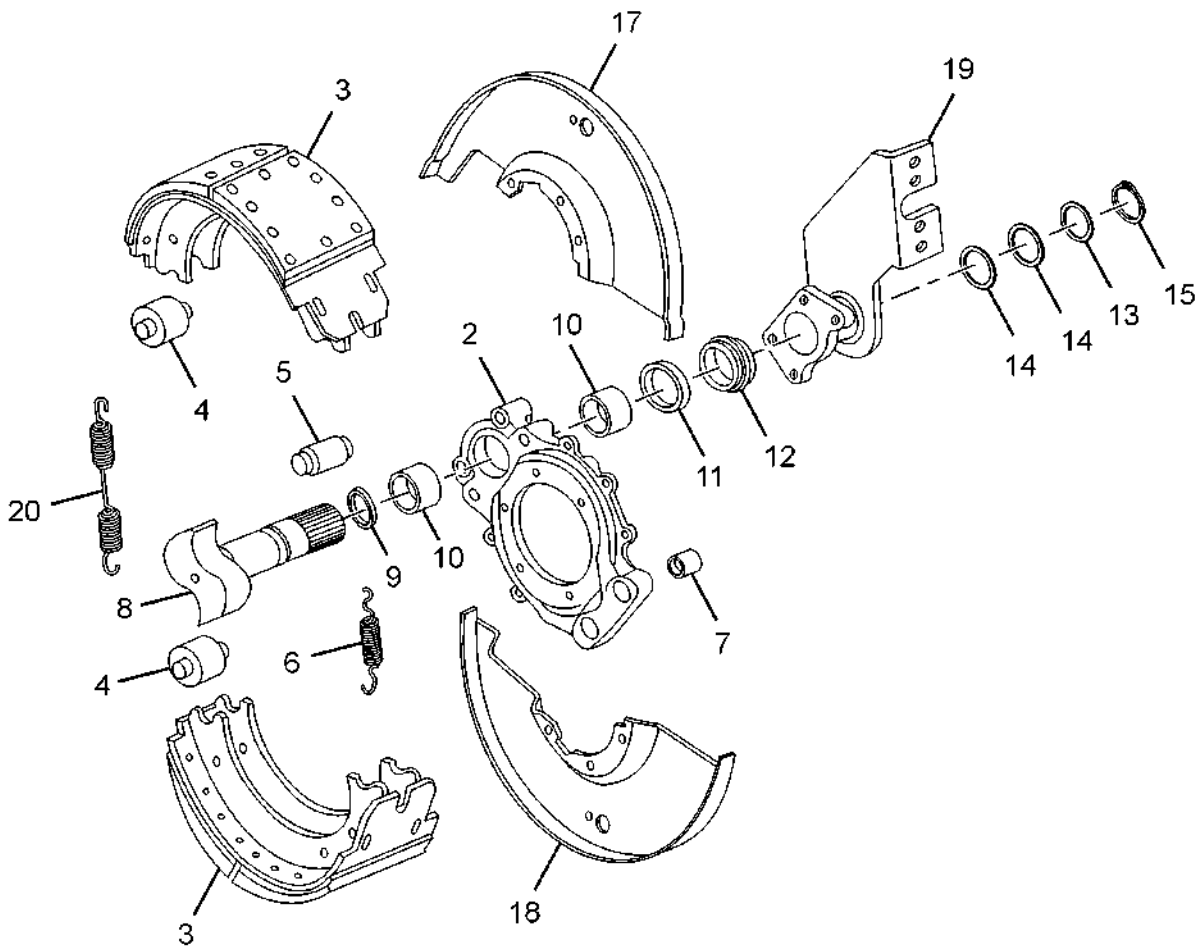
41.41.01E		PROPELLER SHAFT		GROUP 41
CHASSIS TYPE: 412091; 412271				
FIG. NO.	PART NUMBER	DESCRIPTION	QTY	REMARKS
1	207341100101	ASSY PROP. SHAFT WITH CENTRE BEARING FRONT (L=1586)	1	FOR CAR CARRIER
1	207341100111	ASSY PROP. SHAFT WITH CENTRE BEARING FRONT (L=1628)	1	
2	275041100103	ASSY. PROP. SHAFT WITH CENTRE BEARING MIDDLE (L=808)	1	
3	257441120164	ASSY. PROP. SHAFT REAR COMPLETE (L=1154)	1	
4	263241308202	DUST COVER	4	
7	257641115110	FLANGE YOKE (8 HOLES)	4	
14	263241300102	ASSY. CENTRE BEARING BRACKET GREASABLE	2	
15	257641306301	RUBBER HOUSING	2	
16	257441303104	SRDG BALL BRG.	2	
18	257641304301	SNAP RING	4	
19	263241307801	OIL SEAL	4	
20	263241308602	SPACER	4	
21	257641303301	CENTRE BEARING BRACKET	2	
22	257641304201	CLAMP	2	
23	263241110111	ASSY COUPLING FLANGE	2	
25	0423530172J	HEX. NUT	2	
26	275041303301	BRACKET FOR CENTRE BEARING (FOR 1ST PROP. SHAFT)	1	
26	275041303302	BRACKET FOR CENTRE BEARING (FOR 2ND PROP. SHAFT)	1	
27	257641108002	SCREW	4	
31	257641120121	ASSY. UNIVERSAL JOINT LONG FORK COMPLETE	1	
34	260041127501	RUBBER BOOT	1	
35	14280500802	HOSE CLAMP 80	1	
36	14280501001	HOSE CLAMP 100	1	
37	257341308217	SPACER PLATE	8	
40	257641113201	BOLT	32	
41	257641116101	LOCKING PLATE	16	
42	885441211612	ASSY. CROSS KIT CONSISTING OF :	1	
11	-	ASSY. BEARING CUP	4	
8	-	CROSS	1	
-	-	END RING	4	
-	-	ADAPTER	1	
6	-	GREASE NIPPLE AM 10X1	1	
-	-	HEX. THIN NUT M 8X1	1	
13	-	SPRING RING	4	

CHASSIS TYPE: ALL



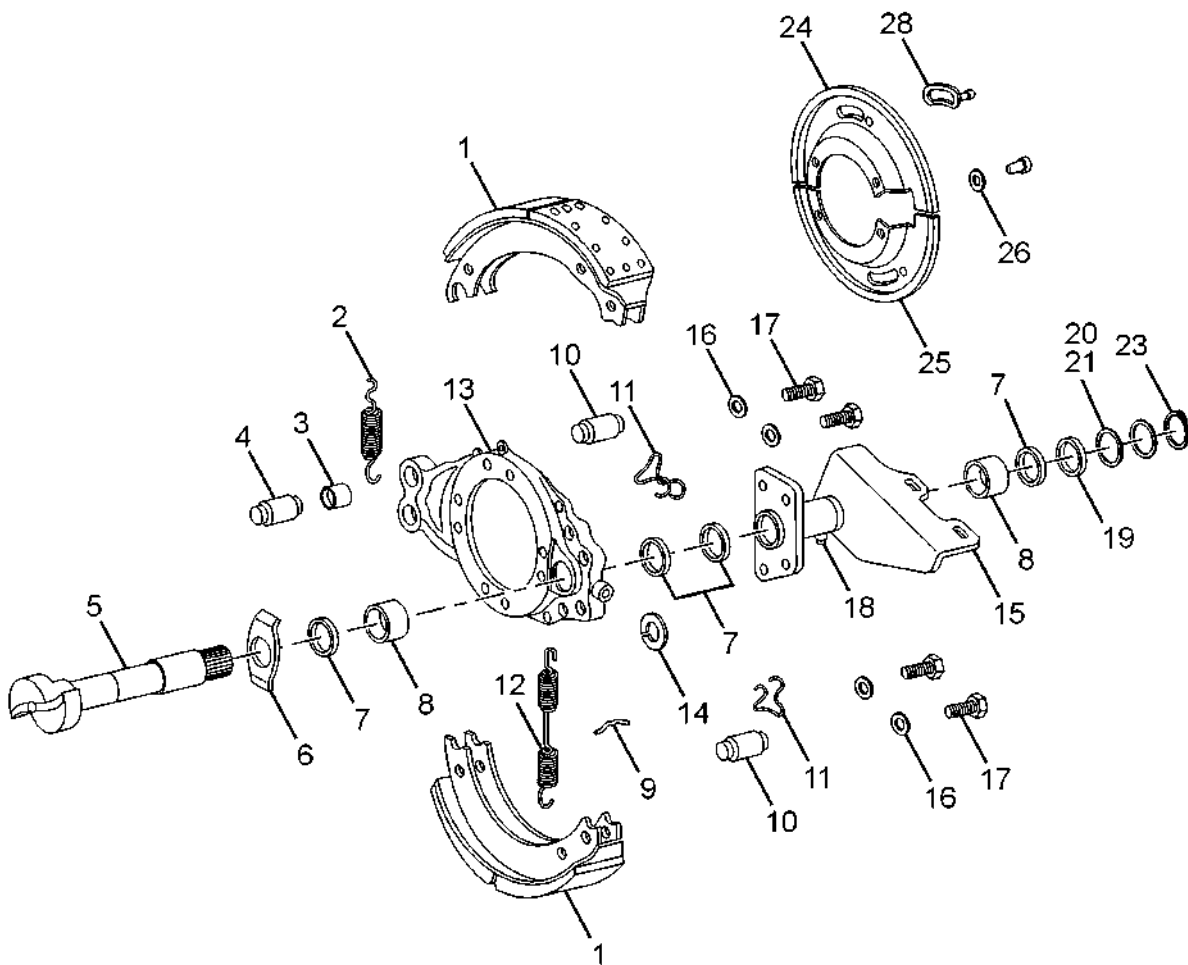
42.42.01		FRONT WHEEL BRAKE S-CAM (BIL)		GROUP 42
CHASSIS TYPE: ALL				
FIG. NO.	PART NUMBER	DESCRIPTION	QTY	REMARKS
	277842100148	ASSY.FRT. DRUM BRAKE W/DUST COVER RH	1	
	277842100149	ASSY.FRT. DRUM BRAKE W/DUST COVER LH	1	
3	-	LINED SHOE FRONT	4	PART NO. WILL INFORMED LATER
2	-	TORQUE PLATE LH	1	PART NO. WILL INFORMED LATER
2	-	TORQUE PLATE RH	1	PART NO. WILL INFORMED LATER
4	-	ROLLER	4	PART NO. WILL INFORMED LATER
5	257342106724	FULCRUM	4	
6	257342108704	SPRING (PULL OFF) FULCRUM END	4	
7	257342103404	FULCRUM PIN BUSH	4	
8	-	CAM SHAFT LH	1	PART NO. WILL INFORMED LATER
8	-	CAM SHAFT RH	1	PART NO. WILL INFORMED LATER
9	257342107702	'O' RING	2	
10	257342103405	DELRIN BUSH	4	
11	257342107801	OIL SEAL	2	
12	257342108405	SLEEVE (SLACK ADJ. END)	2	
13	257342109209	WASHER	2	
14	257342108301	SHIM 0.5 MM	2	FOR SELECTION
14	257342108302	SHIM 1.0 MM	2	FOR SELECTION
14	283942308301	SHIM 0.3 MM	2	FOR SELECTION
15	257342104303	CIRCLIP	2	
17	-	SHIELD ASSY TOP	2	PART NO. WILL INFORMED LATER
18	-	SHIELD ASSY BOTTOM	2	PART NO. WILL INFORMED LATER
19	-	ASSY. FLANGE, TUBE & BRACKET LH	1	PART NO. WILL INFORMED LATER
19	-	ASSY. FLANGE, TUBE & BRACKET RH	1	PART NO. WILL INFORMED LATER
20	-	SPRING PULL OFF, CAM END	2	PART NO. WILL INFORMED LATER
		REPAIR KITS		
	-	KIT, LINING SET (STD)	1	PART NO. WILL INFORMED LATER

CHASSIS TYPE: ALL



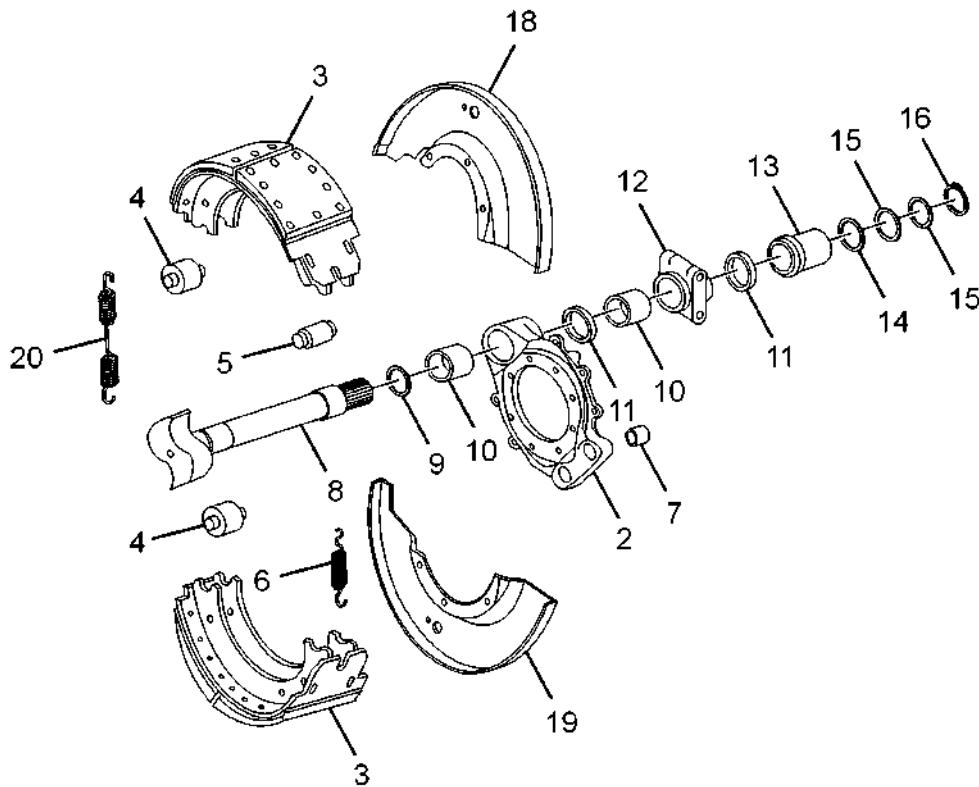
42.42.01		FRONT WHEEL BRAKE S-CAM (BIL)		GROUP 42
CHASSIS TYPE: ALL				
FIG. NO.	PART NUMBER	DESCRIPTION	QTY	REMARKS
	-	KIT, LINING SET (1.0 MM OVERSIZE) (R/S I)	1	PART NO. WILL INFORMED LATER
	-	KIT, LINING SET (2.0 MM OVERSIZE) (R/S II)	1	PART NO. WILL INFORMED LATER

CHASSIS TYPE: ALL



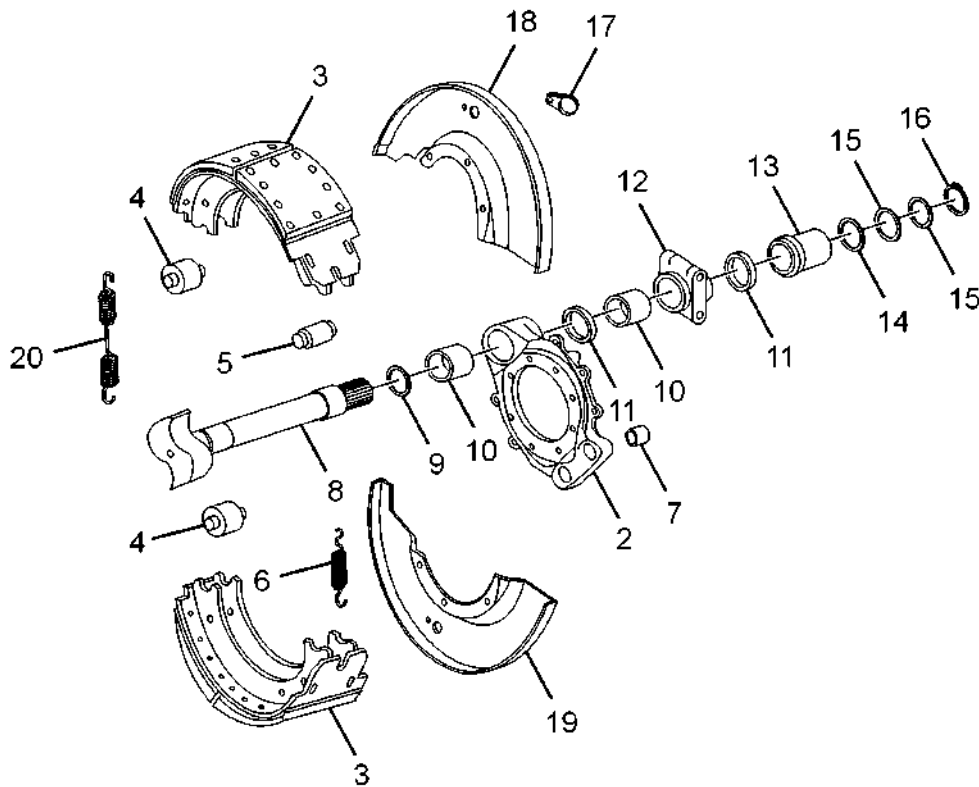
42.42.02		FRONT WHEEL BRAKE (M/S. KTMS)		GROUP 42
CHASSIS TYPE: ALL				
FIG. NO.	PART NUMBER	DESCRIPTION	QTY	REMARKS
	263242100153	ASSY FRT. AXLE BRAKE RH WITH DUST COVER	1	
	263242100154	ASSY FRT. AXLE BRAKE LH WITH DUST COVER	1	
1	-	BRAKE SHOE LINING & ROLLER ASSY.	4	
2	-	SPRING (BRAKE SHOE RETURN)	4	
3	-	BUSH (ANCHOR PIN)	2	
4	-	ANCHOR PIN (BRAKE SHOE)	2	
5	-	CAMSHAFT LH	1	
5	-	CAMSHAFT RH	1	
6	-	WASHER (CAM HEAD)	2	
7	-	SEAL (CAMSHAFT)	2	
8	-	BUSH (CAMSHAFT)	4	
9	-	PIN	4	
10	-	ROLLER (BRAKE SHOE)	4	
11	-	RETAINER (BRAKE SHOE ROLLER)	4	
12	-	RETURN SPRING (BRAKE SHOE)	2	
13	-	SPIDER BRAKE LH	1	
13	-	SPIDER BRAKE RH	1	
14	-	GASKET (CHAMBER BRACKET)	1	
15	-	BRACKET LH	1	
15	-	BRACKET RH	1	
16	-	WASHER (BRACKET FOR CAP SCREW)	4	
17	-	CAP SCREW (CHAMBER BRACKET)	4	
18	-	FITTING GREASE (CHAMBER BRACKET)	1	
19	-	WASHER	2	
20	-	WASHER	2	
21	-	WASHER (HARDENED)	2	
23	-	LOCK RING	2	
24	-	DUST SHIELD TOP	2	
25	-	DUST SHIELD BOTTOM	1	
26	-	WASHER	12	
28	-	PLUG	4	
	-	COLLARED PIN	4	
	-	COLLARED PIN	4	
	-	BOLT	4	
	-	CASTLE NUT	4	
	-	SPLIT PIN AX36	12	
		COMPONENTS & REPAIR KITS PART NO. WILL BE INFORMED LATER		

CHASSIS TYPE: 412073; 412081; 412073; 412052; 412074; 412080



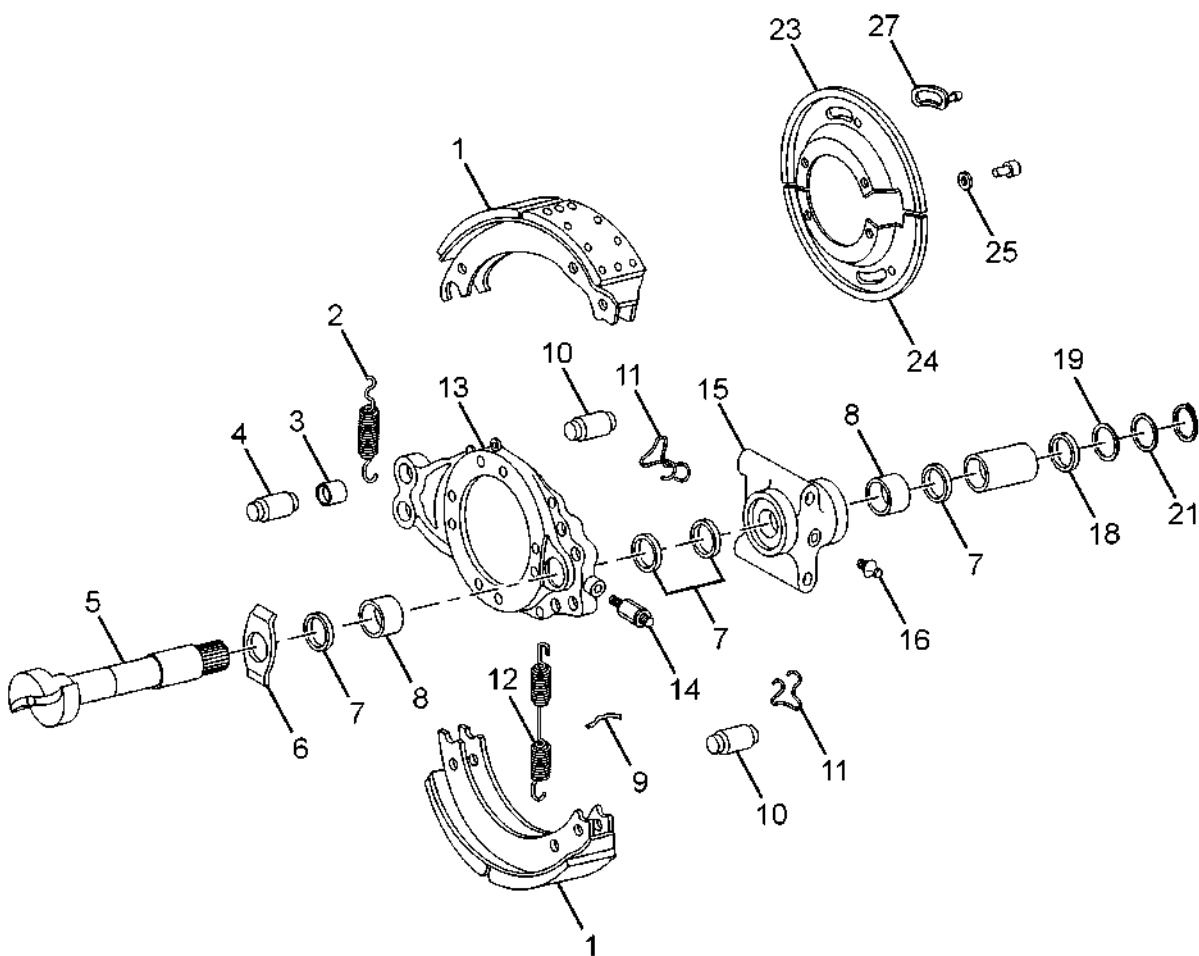
42.42.03		REAR WHEEL BRAKE (BIL) (LP)		GROUP 42	
CHASSIS TYPE: 412073; 412081; 412073; 412052; 412074; 412080					
FIG. NO.	PART NUMBER	DESCRIPTION	QTY	REMARKS	
2	277842300111	ASSY.DRUM BRAKE RH N/ASB(TVSAF235)	1	PART NO. WILL BE INFORMED LATER	
	277842300110	ASSY.DRUM BRAKE LH N/ASB(TVSAF235)	1		
2	-	TORQUE PLATE LH / RH	2		
3	-	BRAKE SHOE ASSY.	4		
4	-	ROLLER	4		
5	257342106724	FULCRUM PIN	4		
6	257342108704	SPRING PULL OFF, FULCRUM PIN	4		
7	257342103404	FULCRUM PIN BUSH	4		
8	-	CAMSHAFT LH	1		
8	-	CAMSHAFT RH	1		
9	257342107702	'O' RING	2		
10	257342303404	DELTRIN BUSH	4		
11	257342107801	OIL SEAL	6		
12	257342300190	CAMSHAFT BRACKET ASSY.	2		
13	257342308401	SLEEVE (SLACK ADJ. END)	2		
14	257342109209	WASHER	2		
15	257342108301	SHIM 0.5 MM	2		
15	257342108302	SHIM 1.0 MM	2		
15	283942308301	SHIM 0.3 MM	2		
16	257342104303	CIRCLIP	4		
18	-	SHIELD ASSY TOP	2		
19	-	SHIELD ASSY BOTTOM	2		
20	-	SPRING PULL OFF CAM END	2		
		REPAIR KITS			
	-	KIT LINING SET (REAR) (STD)	1		
	-	KIT LINING SET (REAR) (R/S I)	1		
	-	KIT LINING SET (REAR) (R/S II)	1		

CHASSIS TYPE: 412091; 412271; 412076



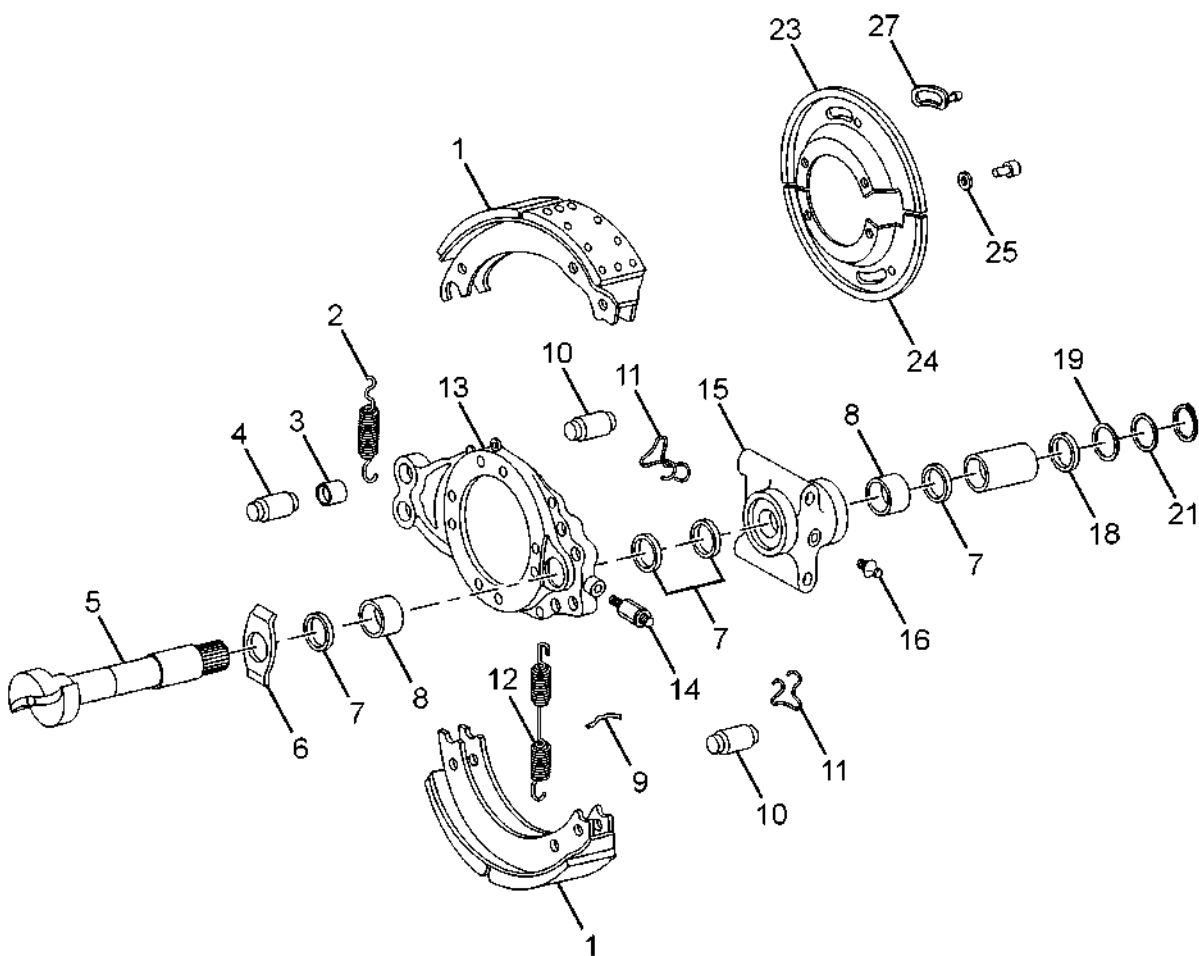
42.42.04		REAR WHEEL BRAKE (BIL) (LPO)		GROUP 42
CHASSIS TYPE: 412091; 412271; 412076				
FIG. NO.	PART NUMBER	DESCRIPTION	QTY	REMARKS
	257542300110	ASSY DRUM BRAKE LH	1	
	257542300111	ASSY DRUM BRAKE RH	1	
2	257342313701	TORQUE PLATE LH / RH	2	
3	257342330123	BRAKE SHOE ASSY.	4	
4	257342109902	ROLLER	4	
5	257342106724	FULCRUM PIN	4	
6	257342108704	SPRING PULL OFF, FULCRUM PIN	4	
7	257342103404	FULCRUM PIN BUSH	4	
8	257342307907	CAMSHAFT LH	1	
8	257542307908	CAMSHAFT RH	1	
9	257342107702	'O' RING	2	
10	257342103404	DELTRIN BUSH	4	
11	257342107801	OIL SEAL	6	
12	257342300190	CAMSHAFT BRACKET ASSY.	2	
13	257342308401	SLEEVE (SLACK ADJ. END)	2	
14	257342109209	WASHER	2	
15	257342108301	SHIM 0.5 MM	2	FOR SELECTION
15	257342108302	SHIM 1.0 MM	2	FOR SELECTION
16	257342104303	CIRCLIP	4	
17	257342107501	GROMMET	2	
18	257342318212	DUST COVER (TOP)	2	
19	257342318213	DUST COVER (BOTTOM)	2	
20	257342108705	SPRING PULL OFF CAM END	2	
		REPAIR KITS		
	257342330124	KIT LINING SET (REAR) (STD)	1	FOR SELECTION
	257342330125	KIT LINING SET (REAR) (R/S I)	1	FOR SELECTION
	257342330126	KIT LINING SET (REAR) (R/S II)	1	FOR SELECTION

CHASSIS TYPE: 412073; 412081; 412073; 412052; 412074; 412080



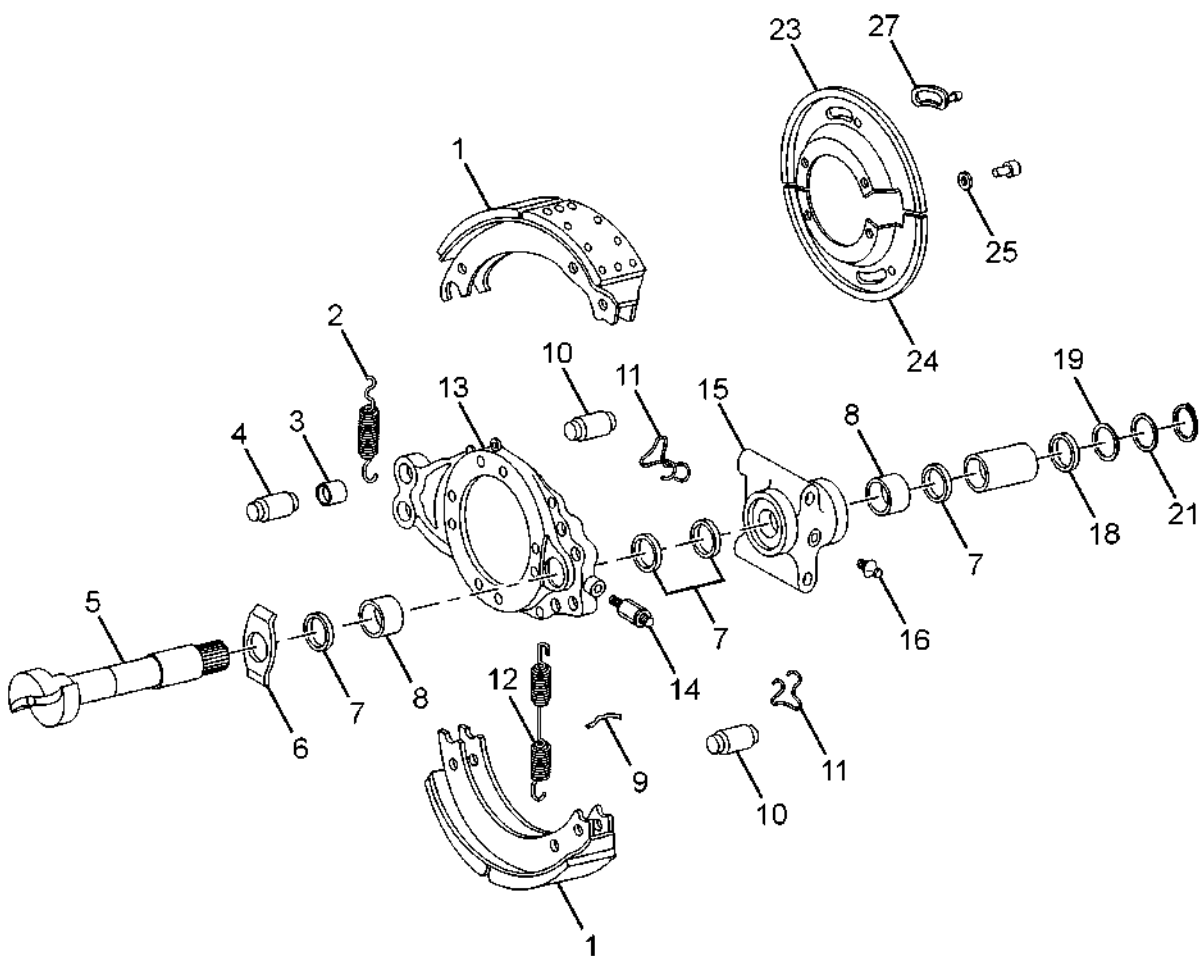
42.42.05		REAR WHEEL BRAKE (KTMS) (LP)		GROUP 42
CHASSIS TYPE: 412073; 412081; 412073; 412052; 412074; 412080				
FIG. NO.	PART NUMBER	DESCRIPTION	QTY	REMARKS
	263242300136	ASSY REAR BRAKE RH (AF235) WITH DUST COVER	1	
	263242300137	ASSY REAR BRAKE LH (AF235) WITH DUST COVER	1	
1	-	BRAKE SHOE LINING & ROLLER ASSY.	4	
2	-	SPRING (BRAKE SHOE RETURN)	4	
3	-	BUSH (ANCHOR PIN)	4	
4	-	ANCHOR PIN (BRAKE SHOE)	2	
5	-	CAMSHAFT LH	1	
5	-	CAMSHAFT RH	1	
6	-	WASHER (CAM HEAD)	2	
7	-	SEAL (CAMSHAFT)	2	
8	-	BUSH (CAMSHAFT)	4	
9	-	PIN (RETURN SPRING)	4	
10	-	ROLLER (BRAKE SHOE)	4	
11	-	RETAINER (BRAKE SHOE ROLLER)	4	
12	-	RETURN SPRING (BRAKE SHOE)	2	
13	-	SPIDER BRAKE LH/RH (COMMON)	2	
14	-	FITTING GREASE (CHAMBER BRACKET)	2	
19	-	WASHER CAMSHAFT (THICK)	2	
-	-	WASHER	2	
21	-	WASHER (HARDENED)	2	
18	-	LOCK RING (CAMSHAFT)	2	
16	-	FITTING GREASE (SPIDER)	2	
15	-	PLUMMER BLOCK	1	
23	-	DUST SHIELD TOP	2	
24	-	DUST SHIELD TOP	2	
25	-	WASHER	12	
27	-	PLUG	2	
	-	RIVET	80	
		COMPONENTS & REPAIR KITS PART NO. WILL BE INFORMED LATER		

CHASSIS TYPE: 412091; 412271; 412076



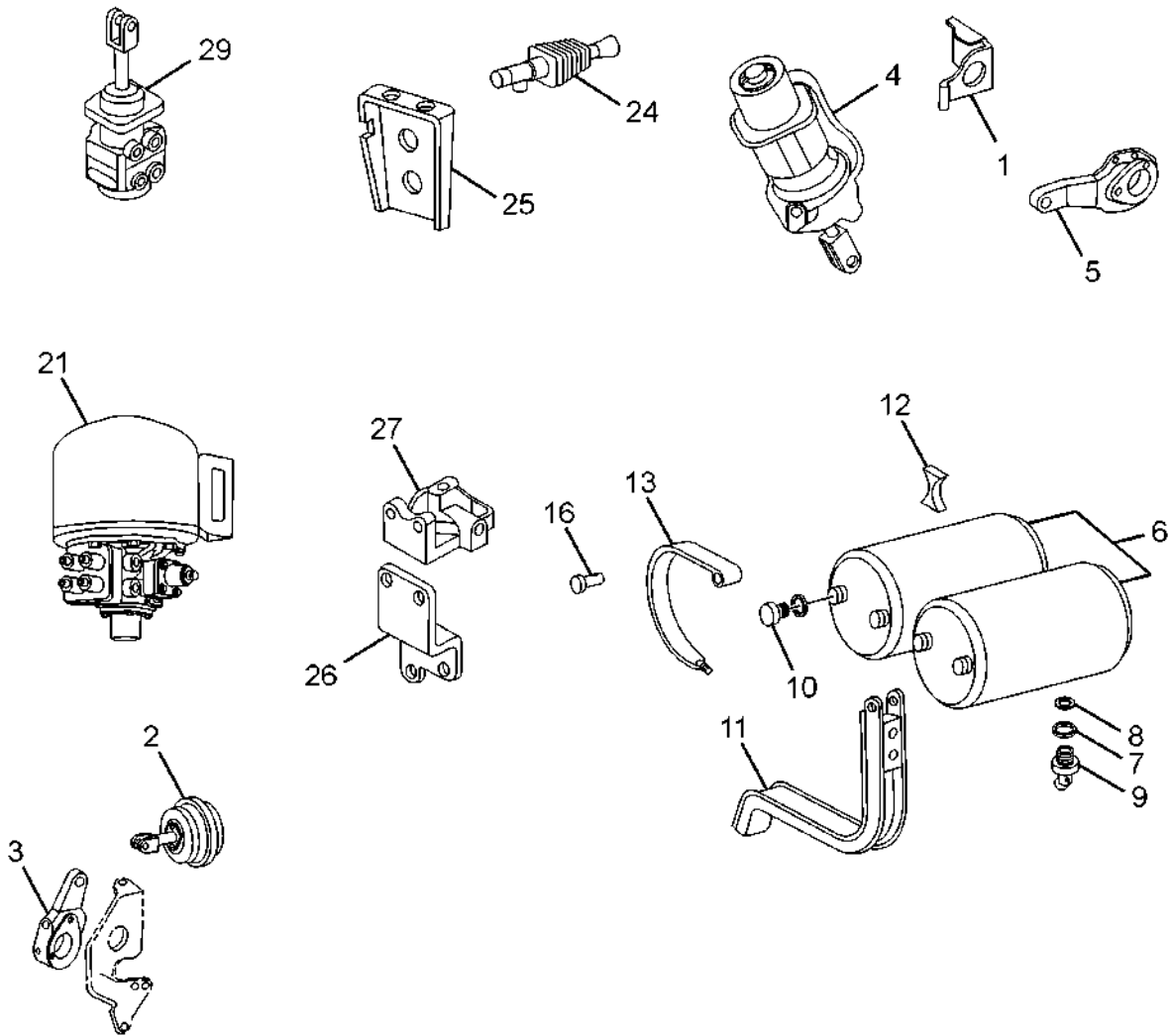
42.42.06		REAR WHEEL BRAKE (KTMS) (LPO)		GROUP 42
CHASSIS TYPE: 412091; 412271; 412076				
FIG. NO.	PART NUMBER	DESCRIPTION	QTY	REMARKS
	257542300112	REAR BRAKE ASSY LH	1	
	257542300113	REAR BRAKE ASSY RH	1	
1	257342300184	BRAKE SHOE LINING & ROLLER ASSY.	4	
2	257342108702	SPRING (BRAKE SHOE RETURN)	4	
3	257342103401	BUSH (ANCHOR PIN)	4	
4	257342106723	ANCHOR PIN (BRAKE SHOE)	2	
5	263242307902	CAMSHAFT LH	1	
5	263242307901	CAMSHAFT RH	1	
6	257342109203	WASHER (CAM HEAD)	2	
7	257342107701	SEAL (CAMSHAFT)	2	
8	257342303403	BUSH (CAMSHAFT)	4	
9	257342103403	PIN (RETURN SPRING)	4	
10	257342107903	ROLLER (BRAKE SHOE)	4	
11	257342104301	RETAINER (BRAKE SHOE ROLLER)	4	
12	257342108703	RETURN SPRING (BRAKE SHOE)	2	
13	257342310149	SPIDER BRAKE LH/RH (COMMON)	2	
14	257342109901	FITTING GREASE (CHAMBER BRACKET)	2	
19	261842109202	WASHER CAMSHAFT (THICK)	2	
-	261842109203	WASHER	2	
21	261842109204	WASHER (HARDENED)	2	
18	261842104301	LOCK RING (CAMSHAFT)	2	
16	257342309906	FITTING GREASE (SPIDER)	2	
15	257342307123	PLUMMER BLOCK	1	
23	257342308204	DUST SHIELD TOP	2	
24	257342308205	DUST SHIELD TOP	2	
25	257342109208	WASHER	12	
27	257342106802	PLUG	2	
	257342107401	RIVET	80	
		REPAIR KITS		
	257342310151	REAR BRAKE OVERHAUL KIT (MINOR)	1	
		CONSISTING OF :		
-		BRAKE LINING	8	
-		SPRING (RETAINING)	4	
-		SPRING (RETURN)	2	
-		ROLLER	4	
-		RETAINER	4	
-		RIVET	80	
	257342100148	SERVICE KIT (MINOR) REAR CONSISTING OF :	1	

CHASSIS TYPE: 412091; 412271; 412076



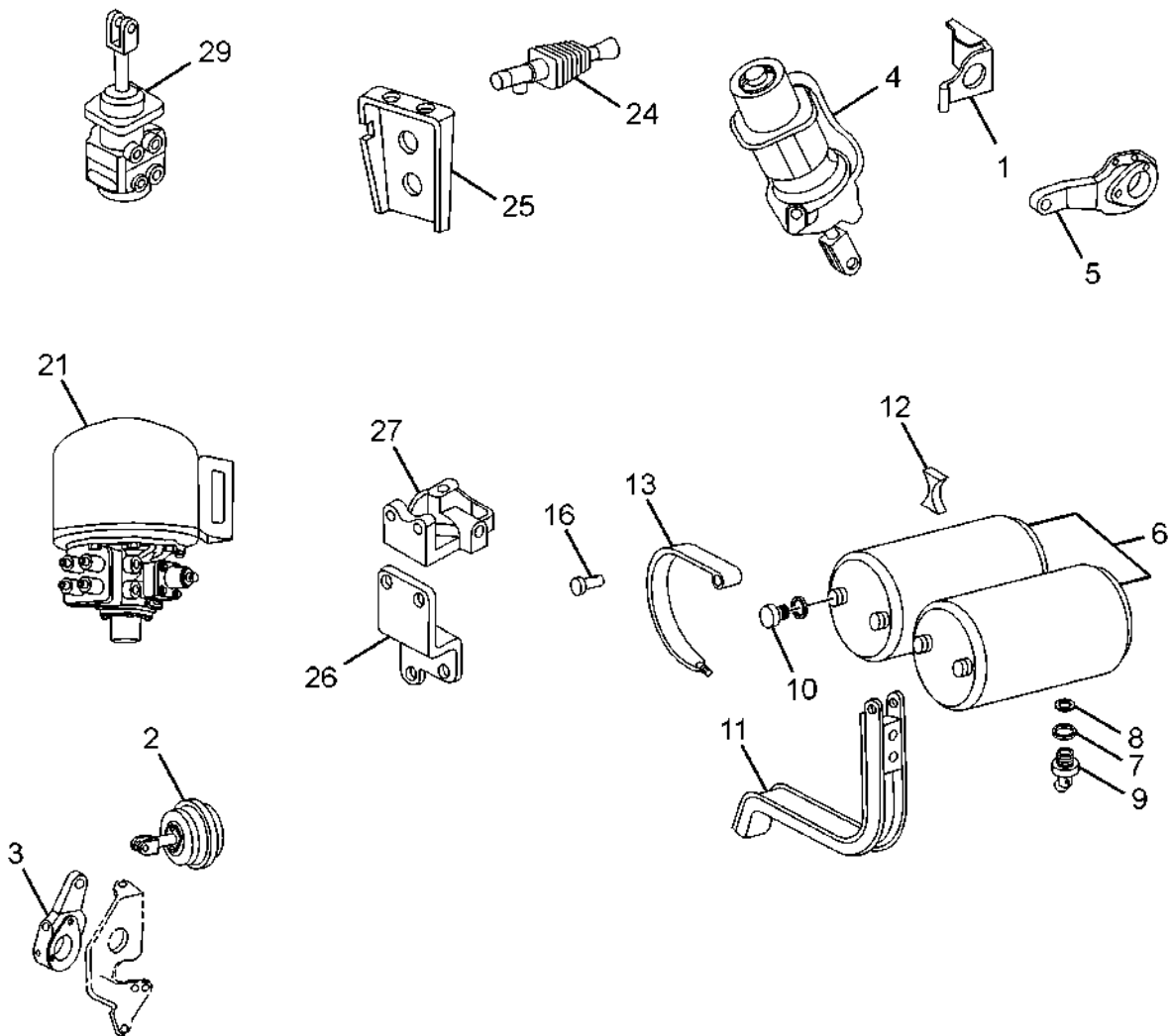
42.42.06		REAR WHEEL BRAKE (KTMS) (LPO)		GROUP 42
CHASSIS TYPE: 412091; 412271; 412076				
FIG. NO.	PART NUMBER	DESCRIPTION	QTY	REMARKS
-		SPRING (RETAINING)	4	
-		SPRING (RETURN)	2	
-		ROLLER (BRAKE SHOE)	4	
-		RETAINER	4	
-		PIN (RETURN SPRING)	1	
	257342100149	BRAKE SPRING KIT (REAR) CONSISTING OF :	1	
-		SPRING (RETAINING)	4	
-		SPRING (RETURN)	2	
-		RETAINER	4	
	257342300183	SERVICE KIT CAMSHAFT (REAR) CONSISTING OF :	1	
-		BUSH	4	
-		SEAL	2	
-		LOCK RING	2	

CHASSIS TYPE: 412073; 412081; 412073; 412052; 412074; 412080



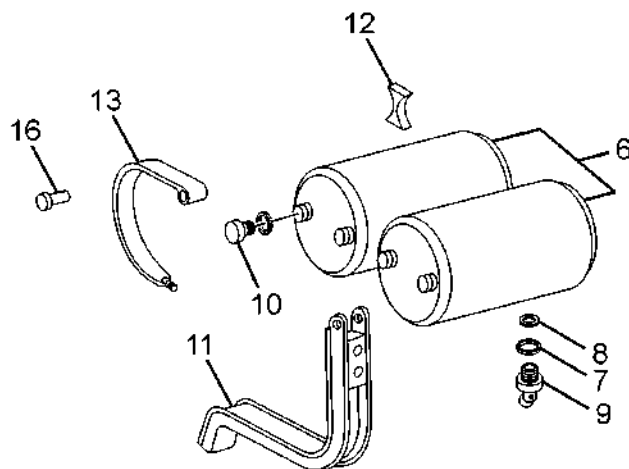
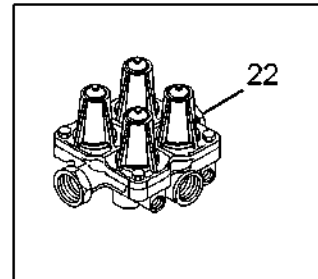
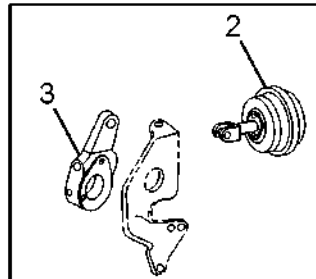
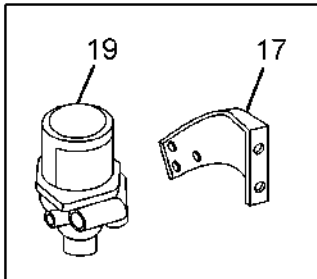
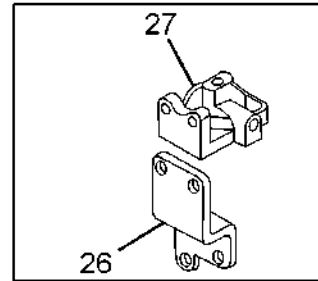
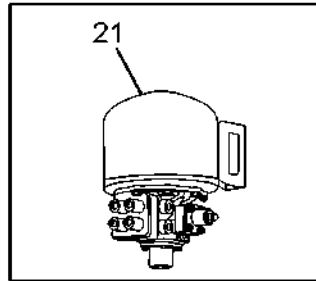
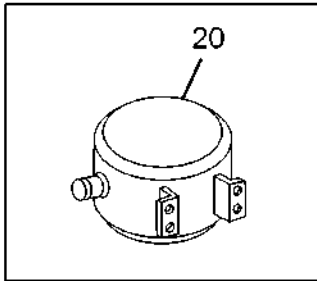
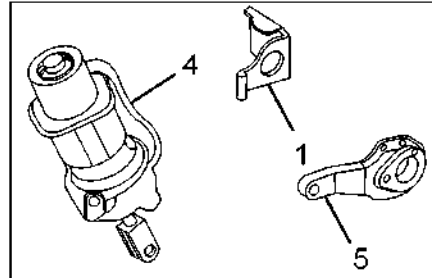
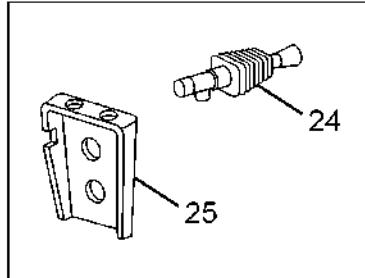
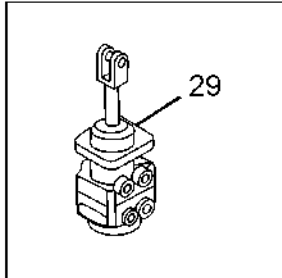
42.42.07A		BRAKE AGGREGATES		GROUP 42	
CHASSIS TYPE: 412073; 412081; 412073; 412052; 412074; 412080					
FIG. NO.	PART NUMBER	DESCRIPTION	QTY	REMARKS	
1	257342300179	ASSY. BRACKET LH	1		
1	257342300180	ASSY. BRACKET RH	1		
2	275342100101	ASSY. BRAKE CHAMBER (RH)	1		
2	275342100102	ASSY. BRAKE CHAMBER (LH)	1		
3	257342100160	SLACK ADJUSTER FRONT	2		
4	263242300106	SPRING BRAKE ACTUATOR (REAR)	2		
5	257342300167	ASSY. SLACK ADJUSTER RH (REAR)	1		
5	257342300166	ASSY. SLACK ADJUSTER LH (REAR)	1		
6	263242900109	ASSY. AIR CONTAINER	2		
7	257643509201	THRUST RING	4		
8	17050501175	O RING 20.30X2.62	4		
9	257643790159	WATER DRAIN VALVE (BRASS VERSION)	2		
10	16081002201	SEALING PLUG AM 22X1.5	2		
11	257343200135	ASSY. SUPPORT	2		
12	257643208602	SPACER BLOCK	2		
13	263242910106	ASSY. STRAP COMP.	2		
16	257643206702	PIN	2		
21	278243700163	ASSY DRYING AND DISTRIBUTION UNIT	1		
24	257343700155	GRADUATED HAND BRAKE VALVE	1		
25	277042700102	ASSY. BRACKET (FOR HAND BRAKE VALVE MTG)	1		
26	278242107101	BRACKET (RELAY VALVE MTG.)	1		
27	278242100101	RELAY VALVE	1		
29	278243700105	DUAL BRAKE VALVE WITH FILTER	1		
	278242900151	ASSY.BASE PLATE (DUAL BRAKE VALVE MTG)	1		

CHASSIS TYPE: 412076



42.42.07B		BRAKE AGGREGATES		GROUP 42
CHASSIS TYPE: 412076				
FIG. NO.	PART NUMBER	DESCRIPTION	QTY	REMARKS
1	257342300179	ASSY. BRACKET LH	1	
1	257342300180	ASSY. BRACKET RH	1	
2	275342100101	ASSY. BRAKE CHAMBER (RH)	1	
2	275342100102	ASSY. BRAKE CHAMBER (LH)	1	
3	257342100160	SLACK ADJUSTER FRONT	2	
4	263242300106	SPRING BRAKE ACTUATOR (REAR)	2	
5	257342300167	ASSY. SLACK ADJUSTER RH (REAR)	1	
5	257342300166	ASSY. SLACK ADJUSTER LH (REAR)	1	
6	263242900109	ASSY. AIR CONTAINER	2	
7	257643509201	THRUST RING	4	
8	17050501175	O RING 20.30X2.62	4	
9	257643790159	WATER DRAIN VALVE (BRASS VERSION)	2	
10	16081002201	SEALING PLUG AM 22X1.5	2	
11	257343200135	ASSY. SUPPORT	2	
12	257643208602	SPACER BLOCK	2	
13	263242910106	ASSY. STRAP COMP.	2	
16	257643206702	PIN	2	
21	278243700163	ASSY DRYING AND DISTRIBUTION UNIT	1	
24	257343700153	GRADUATED HAND BRAKE VALVE	1	
25	257342700159	ASSY. BRACKET (FOR HAND BRAKE VALVE)	1	
26	263242900101	ASSY. BRACKET (FOR RELAY VALVE)	1	
27	278242100101	RELAY VALVE	1	
29	206843100101	DUAL BRAKE VALVE	1	
	278242900151	ASSY.BASE PLATE (DUAL BRAKE VALVE MTG)	1	

CHASSIS TYPE: 412091; 412271



42.42.07C		BRAKE AGGREGATES		GROUP 42
CHASSIS TYPE: 412091; 412271				
FIG. NO.	PART NUMBER	DESCRIPTION	QTY	REMARKS
1	257342300179	ASSY. BRACKET LH	1	
1	257342300180	ASSY. BRACKET RH	1	
2	275342100101	ASSY. BRAKE CHAMBER (RH)	1	
2	275342100102	ASSY. BRAKE CHAMBER (LH)	1	
3	257342100160	SLACK ADJUSTER FRONT	2	
4	263242300106	SPRING BRAKE ACTUATOR (REAR)	2	
5	257342300167	ASSY. SLACK ADJUSTER RH (REAR)	1	
5	257342300166	ASSY. SLACK ADJUSTER LH (REAR)	1	
6	263242900109	ASSY. AIR CONTAINER	2	
7	257643509201	THRUST RING	4	
8	17050501175	O RING 20.30X2.62	4	
9	257643790159	WATER DRAIN VALVE (BRASS VERSION)	2	
10	16081002201	SEALING PLUG AM 22X1.5	2	
11	257343200135	ASSY. SUPPORT	2	
12	257643208602	SPACER BLOCK	2	
13	263242910106	ASSY. STRAP COMP.	2	
16	257643206702	PIN	2	
17	261843700108	ASSY. BRACKET (AIR DRYER)	1	FOR CAR CARRIER
19	264143700105	AIR DRYER WITH UNLOADER VALVE	1	FOR CAR CARRIER
21	278243700163	ASSY DRYING AND DISTRIBUTION UNIT	1	
20	276843700102	PURGE TANK	1	FOR CAR CARRIER
22	257343700157	SYSTEM PROTECTION VALVE	1	FOR CAR CARRIER
24	257343700153	GRADUATED HAND BRAKE VALVE	1	
25	257342700159	ASSY. BRACKET (FOR HAND BRAKE VALVE)	1	
26	263242900101	ASSY. BRACKET (FOR RELAY VALVE)	1	
27	278242100101	RELAY VALVE	1	
29	206843100101	DUAL BRAKE VALVE	1	
	278242900151	ASSY.BASE PLATE (DUAL BRAKE VALVE MTG)	1	

42.42.08A

BRAKE PIPE LINES

GROUP 42

CHASSIS TYPE: 412052

NO IMAGE

42.42.08A		BRAKE PIPE LINES		GROUP 42
CHASSIS TYPE: 412052				
FIG. NO.	PART NUMBER	DESCRIPTION	QTY	REMARKS
	277043900104	ASSY.PIPE(FIRST METAL PIPE ON COMPRESSOR)	1	PART NO. WILL BE INFORMED LATER
	208546800101	1/2"ASSY HOSE (450LG)	1	
	277043900107	ASSY.PIPE(SECOND METAL PIPE ON COMPRESSOR)	1	
	277043900108	ASSY.PIPE(THIRD METAL PIPE ON COMPRESSOR)	1	
	257342950177	ASSY HOSE WITH END FITTINGS(FOR FRT BRAKE HOSE)	2	
	257342900161	3/8" HOSE ASSY. WITH END FITTINGS(L=480)- FOR REAR BRAKE	2	
	-	ASSY.NYLON PIPE SET COMPLETE	1	

42.42.08B

BRAKE PIPE LINES

GROUP 42

CHASSIS TYPE: 412073; 412073; 412074

NO IMAGE

42.42.08B		BRAKE PIPE LINES		GROUP 42	
CHASSIS TYPE: 412073; 412073; 412074					
FIG. NO.	PART NUMBER	DESCRIPTION	QTY	REMARKS	
	277043900104	ASSY.PIPE(FIRST METAL PIPE ON COMPRESSOR)	1		
	208546800101	1/2"ASSY HOSE (450LG)	1		
	277043900107	ASSY.PIPE(SECOND METAL PIPE ON COMPRESSOR)	1		
	277043900108	ASSY.PIPE(THIRD METAL PIPE ON COMPRESSOR)	1		
	257342950177	ASSY HOSE WITH END FITTINGS(FOR FRT BRAKE HOSE)	2		
	257342900161	3/8" HOSE ASSY. WITH END FITTINGS(L=480)- FOR REAR BRAKE	2		
	277043900112	ASSY.NYLON PIPE SET -FOR CHASSIS COMPLETE	1		
	288143900108	ASSY.NYLON PIPE SET -FOR COWL COMPLETE	1		

42.42.08C

BRAKE PIPE LINES

GROUP 42

CHASSIS TYPE: 412081; 412080

NO IMAGE

42.42.08C		BRAKE PIPE LINES		GROUP 42
CHASSIS TYPE: 412081; 412080				
FIG. NO.	PART NUMBER	DESCRIPTION	QTY	REMARKS
	277043900104	ASSY.PIPE(FIRST METAL PIPE ON COMPRESSOR)	1	
	208546800101	1/2"ASSY HOSE (450LG)	1	
	277043900105	ASSY.PIPE(SECOND METAL PIPE ON COMPRESSOR)	1	
	277043900106	ASSY.PIPE(THIRD METAL PIPE ON COMPRESSOR)	1	
	257342950177	ASSY HOSE WITH END FITTINGS(FOR FRT BRAKE HOSE)	2	
	257342900161	3/8" HOSE ASSY. WITH END FITTINGS(L=480)- FOR REAR BRAKE	2	
	277043900119	ASSY.NYLON PIPE SET -FOR CHASSIS COMPLETE	1	
	288143900108	ASSY.NYLON PIPE SET -FOR COWL COMPLETE	1	

42.42.08D

BRAKE PIPE LINES

GROUP 42

CHASSIS TYPE: 412076

NO IMAGE

42.42.08D		BRAKE PIPE LINES		GROUP 42	
CHASSIS TYPE: 412076					
FIG. NO.	PART NUMBER	DESCRIPTION	QTY	REMARKS	
	207342900183	ASSY TUBE WITH CRIMPED R/HOSE(AIR FILTER DUCT TO AIR COMP)	1		
	207342900184	ASSY TUBE(15 O.D X 1020 LG)-AIR COMP.OUTLET	1		
	207342900106	ASSY.TUBE 15 O.D. X 2700 LG-TO INT.JOINT TOWARDS DDU	1		
	207342900122	ASSY.TUBE 15 O.D. X 1380 LG.--FROM INT JOINT TO DDU	1		
	207342910107	ASSY.NYLON PIPE SET COMPLETE	1		

42.42.08E

BRAKE PIPE LINES

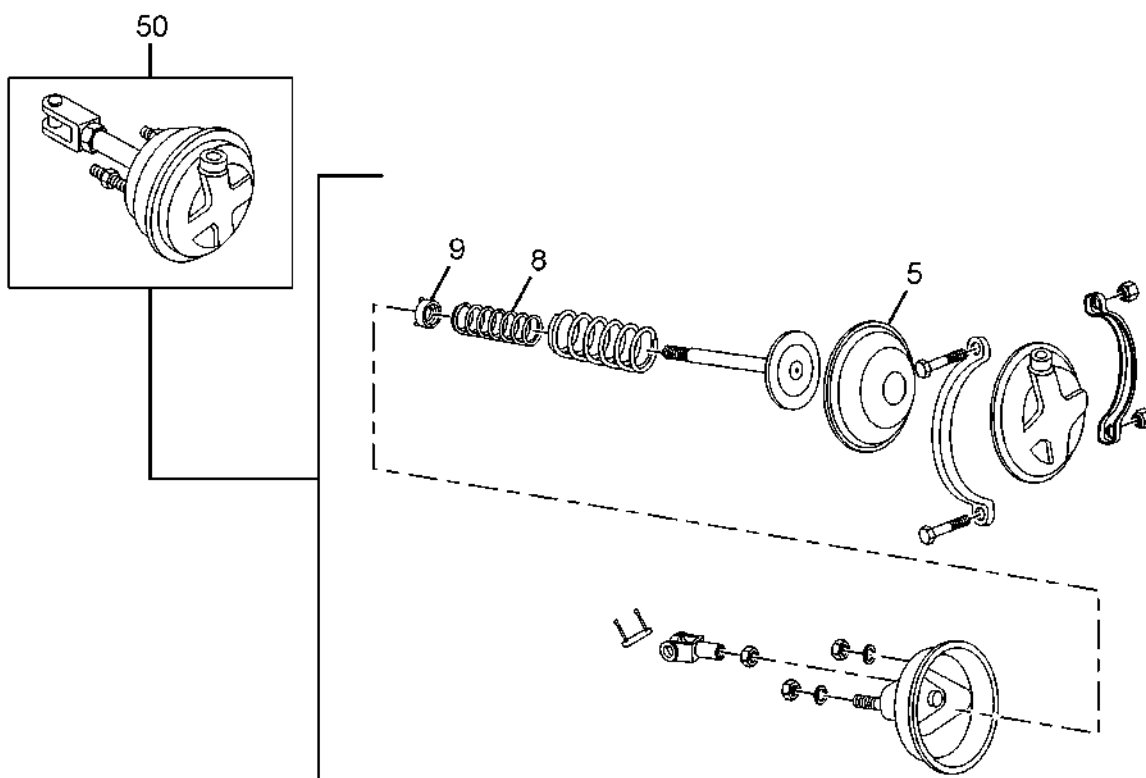
GROUP 42

CHASSIS TYPE: 412091; 412271

NO IMAGE

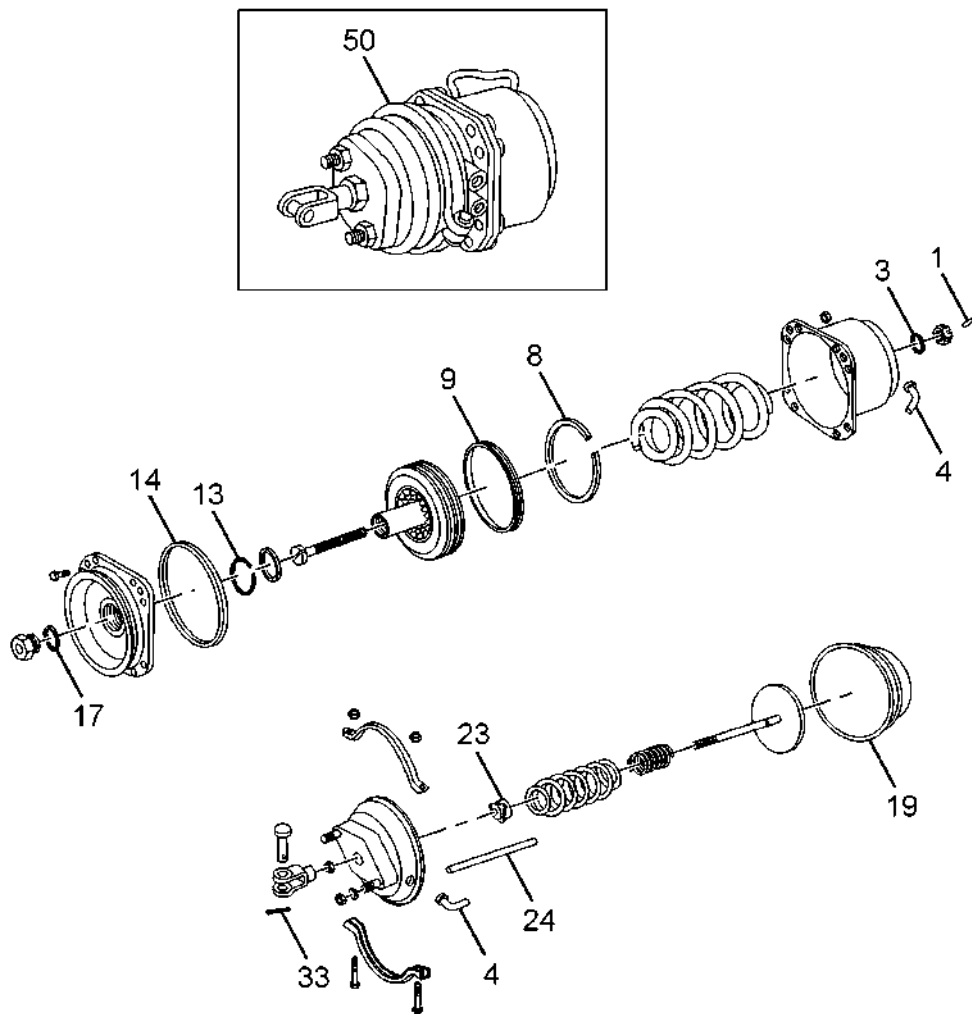
42.42.08E		BRAKE PIPE LINES		GROUP 42
CHASSIS TYPE: 412091; 412271				
FIG. NO.	PART NUMBER	DESCRIPTION	QTY	REMARKS
	207342900183	ASSY TUBE WITH CRIMPED R/HOSE(AIR FILTER DUCT TO AIR COMP)	1	
	207342900184	ASSY TUBE(15 O.D X 1020 LG)-AIR COMP.OUTLET	1	
	207342900106	ASSY.TUBE 15 O.D. X 2700 LG-TO INT.JOINT TOWARDS DDU	1	
	207342900122	ASSY.TUBE 15 O.D. X 1380 LG.--FROM INT JOINT TO DDU	1	
	207343900104	ASSY.NYLON PIPE SET COMPLETE	1	

CHASSIS TYPE: ALL



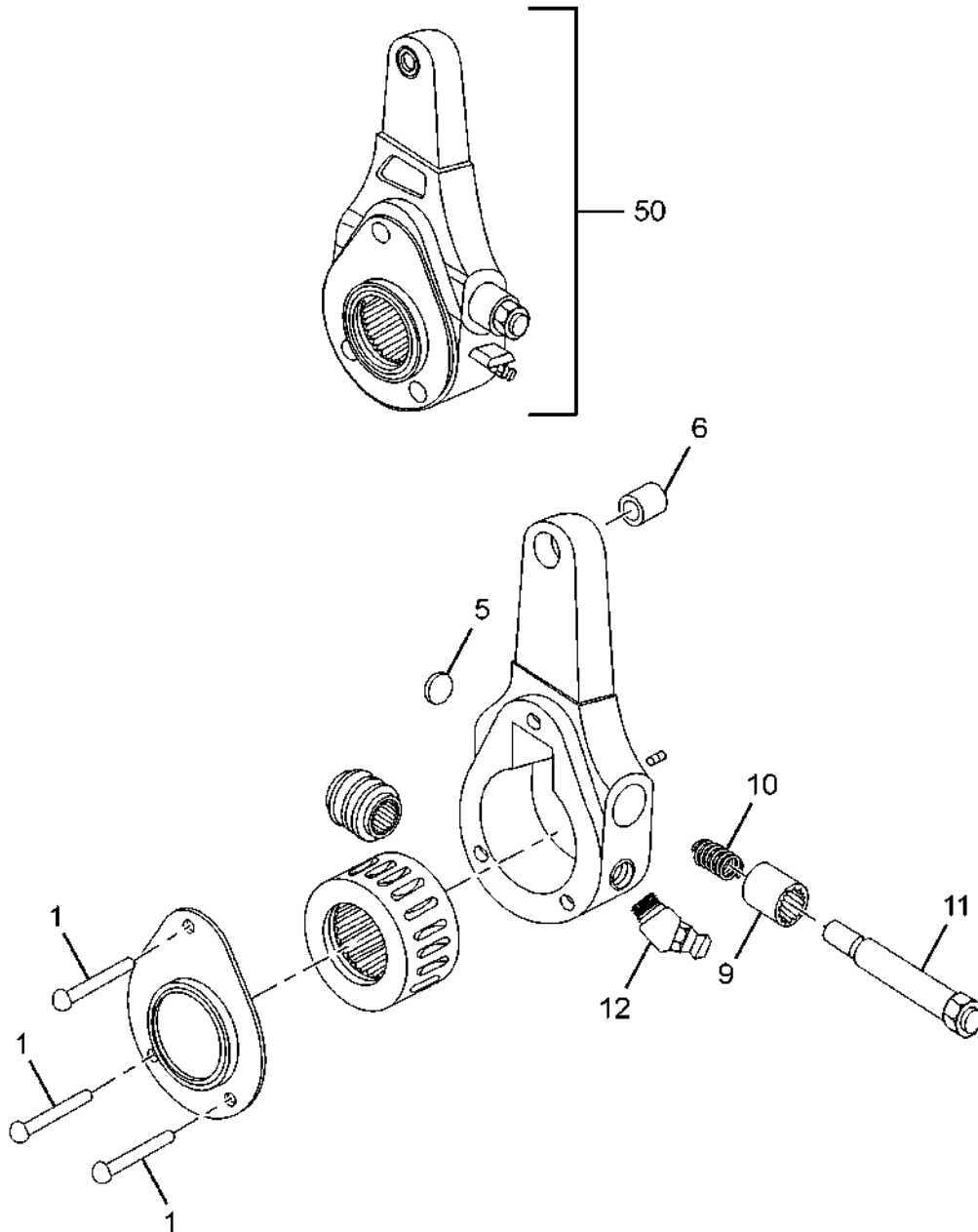
42.42.09		FRONT BRAKE CHAMBER		GROUP 42	
CHASSIS TYPE: ALL					
FIG. NO.	PART NUMBER	DESCRIPTION	QTY	REMARKS	
50	275342100102	BRAKE CHAMBER LH	1		
50	275342100101	BRAKE CHAMBER RH	1		
	257343100115	BRAKE CHAMBER REPAIR KIT CONSISTS OF :-	1		
5	-	DIAPHRAGM	1		
8	-	SEAL SPRING	1		
9	-	SEAL ASSY	1		

CHASSIS TYPE: ALL



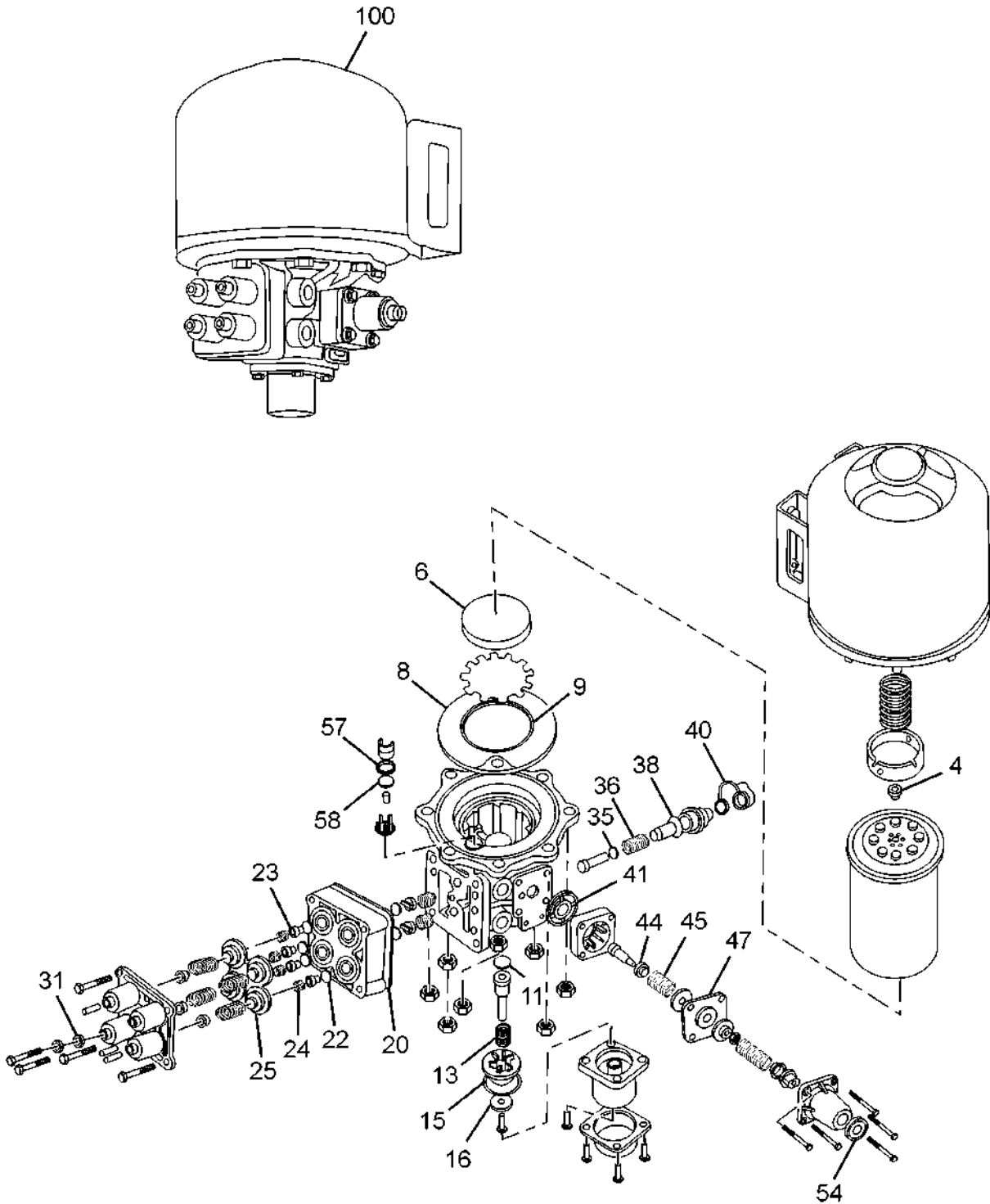
42.42.10		REAR BRAKE ACTUATOR		GROUP 42
CHASSIS TYPE: ALL				
FIG. NO.	PART NUMBER	DESCRIPTION	QTY	REMARKS
50	263242300106	SPRING BRAKE ACTUATOR REAR	2	
	261842300132	REPAIR KIT FOR SPRING BRAKE ACTUATOR REAR CONSISTING OF :	1	
1	-	KNURL PIN	1	
3	-	WASHER SEALING	1	
4	-	ELBOW	2	
8	-	BEARING	1	
9	-	SEAL	1	
13	-	BEARING	1	
14	-	SEALING RING	1	
17	-	O' RING	1	
19	-	DIAPHRAGM	1	
23	-	SEAL	1	
24	-	TUBE	1	
33	-	SPLIT PIN	1	
	-	GREASE SACHET	4	

CHASSIS TYPE: ALL



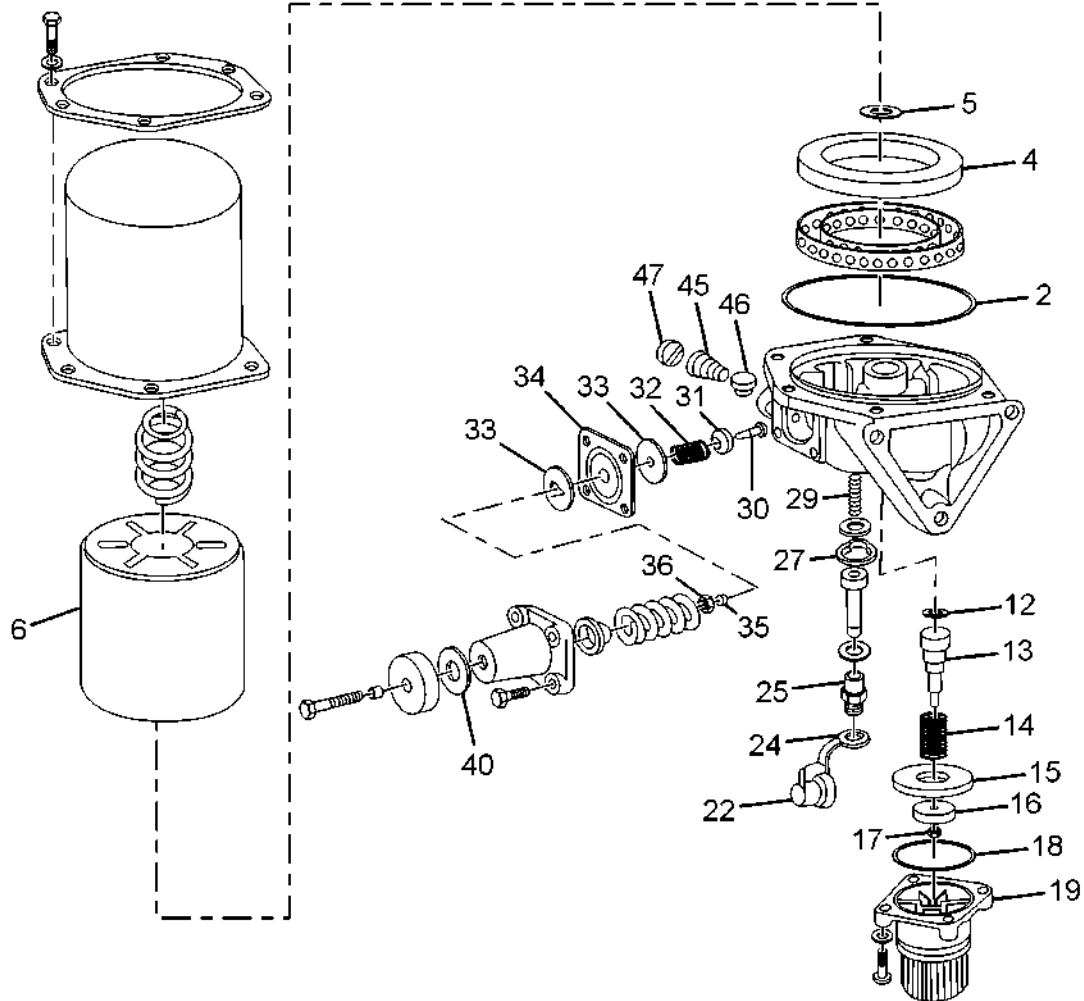
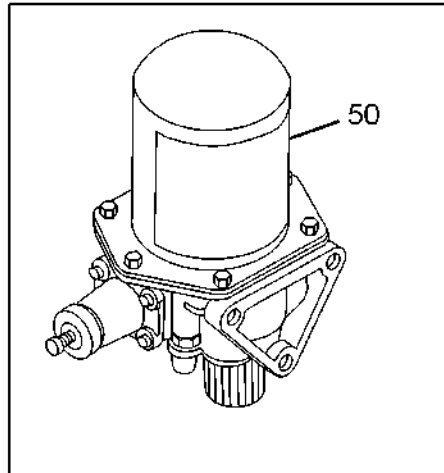
42.42.11		SLACK ADJUSTER		GROUP 42	
CHASSIS TYPE: ALL					
FIG. NO.	PART NUMBER	DESCRIPTION	QTY	REMARKS	
50	257342100160	SLACK ADJUSTER FRONT	2		
	257342300167	ASSY. SLACK ADJUSTER RH (REAR)	1		
	257342300166	ASSY. SLACK ADJUSTER LH (REAR)	1		
	257342100168	REPAIR KIT SLACK ADJUSTER	1		
		CONSISTING OF :			
1	-	RIVET	3		
5	-	WELCH PLUG	1		
6	-	BUSH	1		
	-	PIN	1		
9	-	LOCK (WORM SHAFT)	1		
10	-	SPRING	1		
11	-	WORM SHAFT	1		
12	-	LUBRICATING NIPPLE	1		

CHASSIS TYPE: ALL



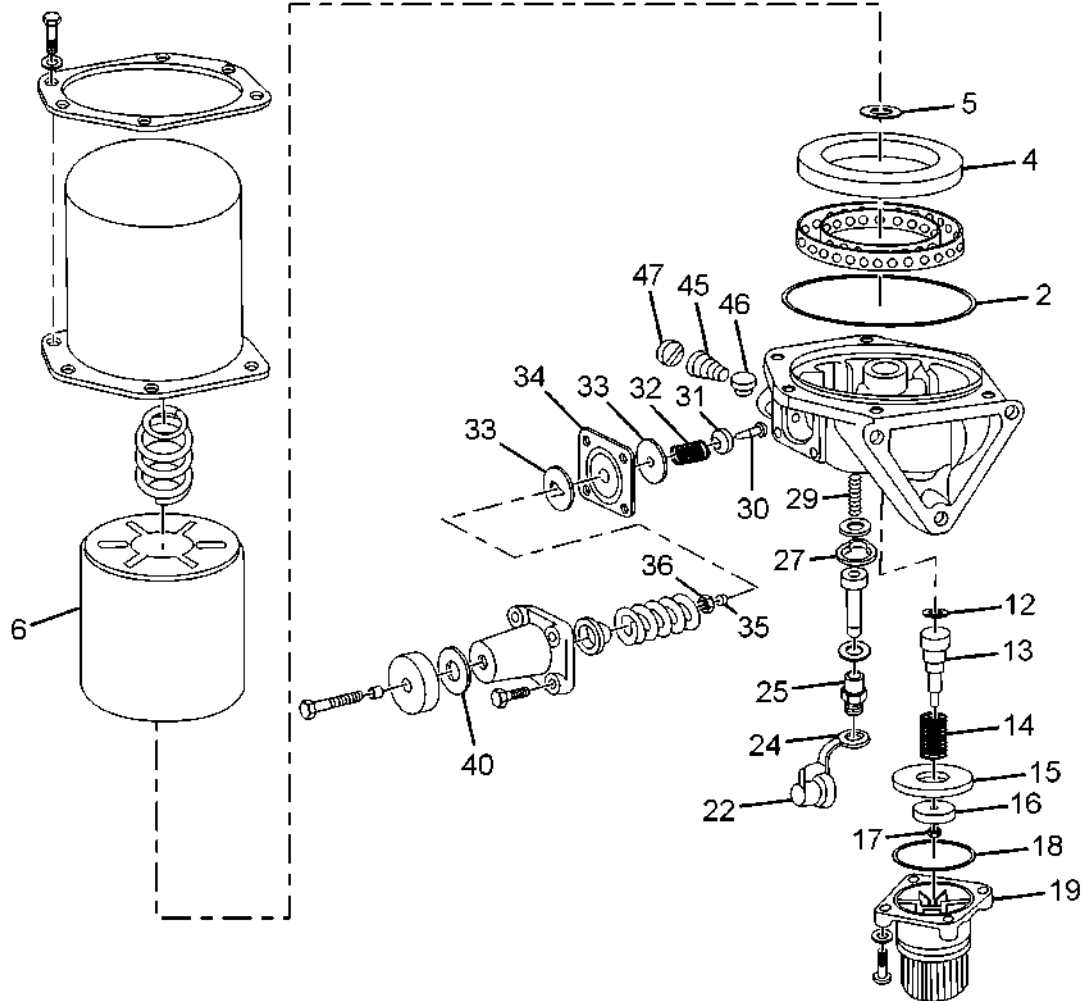
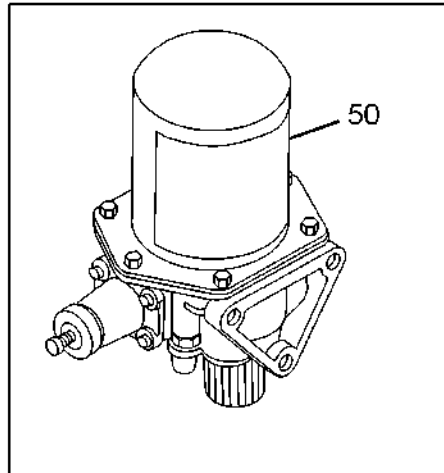
42.42.12		DRYING AND DISTRIBUTION UNIT		GROUP 42
CHASSIS TYPE: ALL				
FIG. NO.	PART NUMBER	DESCRIPTION	QTY	REMARKS
100	278243700163	DRYING AND DISTRIBUTION UNIT	1	
	264143700127	REPAIR KIT, DRYING AND DISTRIBUTION UNIT, CONSISTING OF :-	1	
4	-	PURGE VALVE	1	
6	-	FILTER	1	
8	-	SEALING RING	1	
9	-	SEALING RING	1	
11	-	'O' RING	1	
13	-	SPRING	1	
15	-	'O' RING	1	
16	-	SPHERICAL VALVE	1	
20	-	GASKET, QSPV	1	
22	-	'O' RING	6	
23	-	VALVE	6	
24	-	SPRING, SYS. PROT. VALVE	7	
25	-	DIAPHRAGM, SYS. PROT. VALVE	1	
31	-	LIP SEAL	1	
35	-	'O' RING	1	
36	-	SPRING	1	
38	-	'O' RING	1	
40	-	CAP	1	
41	-	GASKET, UNLOADER VALVE	1	
44	-	BONDED VALVE	1	
45	-	SPRING, UNLOADER VALVE	1	
47	-	DIAPHRAGM, UNLOADER VALVE	1	
54	-	CAP	1	
57	-	'O' RING	1	
58	-	SPHERICAL VALVE	1	
	-	GREASE SACHET	2	

CHASSIS TYPE: 412091



42.42.13		AIR DRYER WITH TYRE INFLATOR (FOR CAR CARRIER)		GROUP 42
CHASSIS TYPE: 412091				
FIG. NO.	PART NUMBER	DESCRIPTION	QTY	REMARKS
50	264143700105	AIR DRYER WITH UNLOADER VALVE	1	
	264143700112	PLUNGER ASSY. CONSISTS OF :	1	
13	-	UNLOADER PLUNGER	1	
14	-	COMPRESSION SPRING	1	
15	-	VALVE SEAT	1	
16	-	VALVE	1	
17	-	HEX. NYLOC NUT	1	
	264143700113	DIAPHRAGM ASSY. CONSISTS OF :	1	
30	-	GOVERNOR PLUNGER	1	
31	-	VALVE	1	
32	-	SPRING	1	
33	-	FOLLOWER	2	
34	-	DIAPHRAGM	1	
35	-	SPRING WASHER	1	
36	-	HEX. NUT	1	
	264143700123	REPAIR KIT, MAJOR FOR AIR DRYER, CONSISTING OF :	1	
2	-	SEALING RING	1	
4	-	FILTER	1	
5	-	SEALING RING	1	
6	-	DESSICANT CARTRIDGE	1	
12	-	SEALING RING	1	
16	-	VALVE	1	
17	-	NYLOC NUT	1	
18	-	SEALING RING	1	
19	-	SILENCER	1	
22	-	DUST CAP	1	
24	-	SEALING RING	1	
25	-	VALVE	1	
27	-	SEALING WASHER	1	
29	-	SEALING WASHER	1	
31	-	VALVE	1	
34	-	DIAPHRAGM	1	
40	-	EXHAUST FLAP	1	
45	-	CONICAL SPRING	1	
46	-	NON RETURN VALVE	1	
47	-	VALVE STOP & SPRING RETAINER	1	
	-	GREASE SACHET	2	
	264143700124	REPAIR KIT, MINOR FOR AIR DRYER, CONSISTING OF :	1	
2	-	SEALING RING	1	

CHASSIS TYPE: 412091



42.42.13

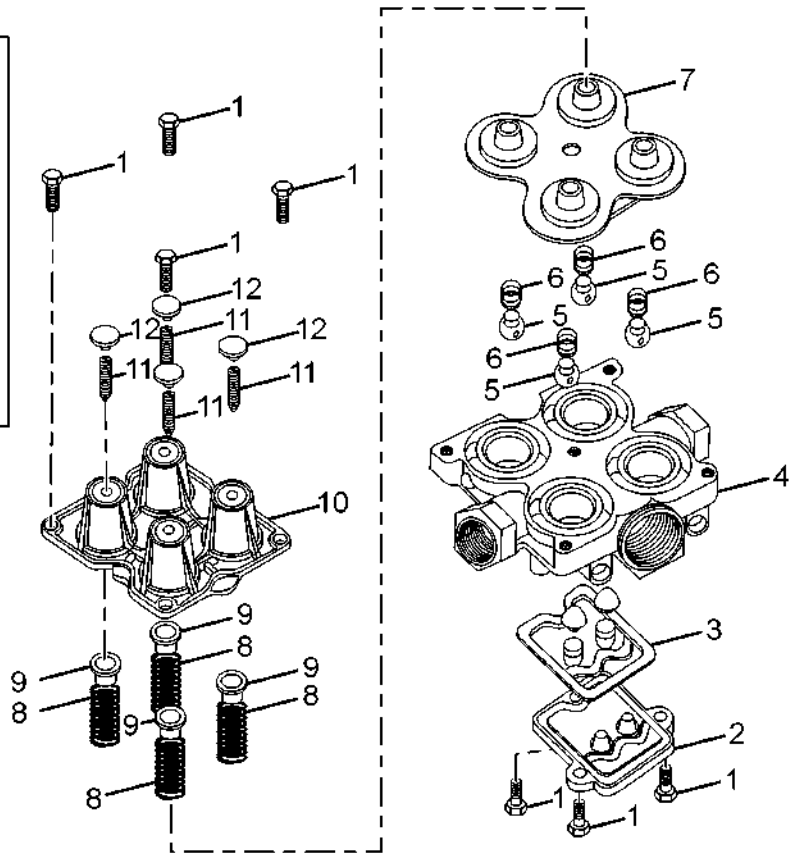
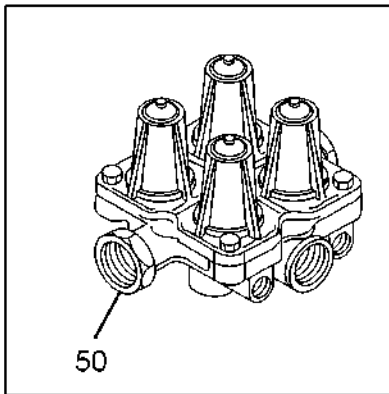
AIR DRYER WITH TYRE INFLATOR (FOR CAR CARRIER)

GROUP 42

CHASSIS TYPE: 412091

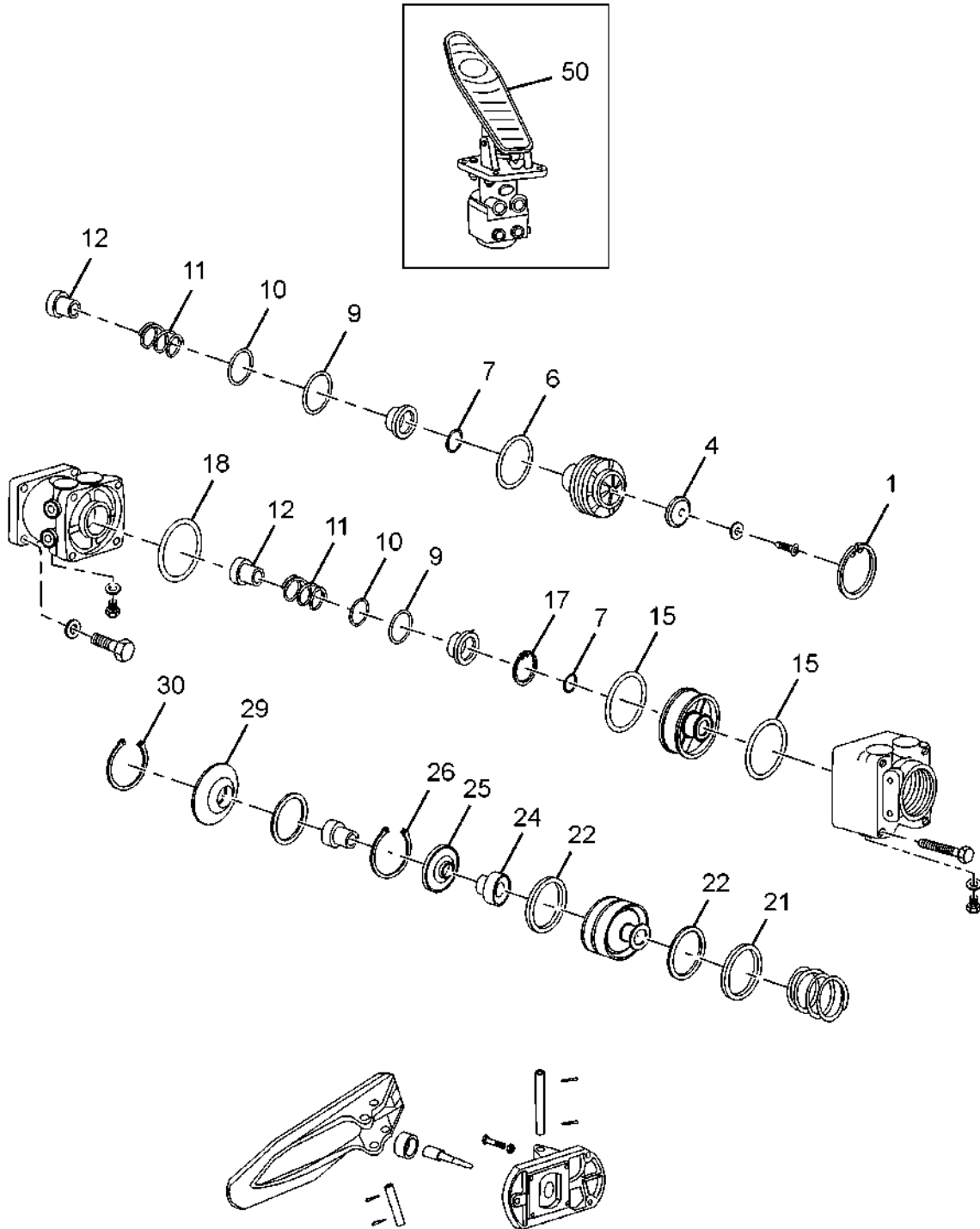
FIG. NO.	PART NUMBER	DESCRIPTION	QTY	REMARKS
5	-	SEALING RING	1	
16	-	VALVE	1	
17	-	NYLOC NUT	1	
18	-	SEALING RING	1	
22	-	DUST CAP	1	
24	-	SEALING RING	1	
25	-	VALVE	1	
27	-	SEALING WASHER	1	
29	-	SEALING WASHER	1	
31	-	VALVE	1	
34	-	DIAPHRAGM	1	
40	-	EXHAUST FLAP	1	
46	-	NON RETURN VALVE	1	
	-	GREASE SACHET	2	

CHASSIS TYPE: 412091



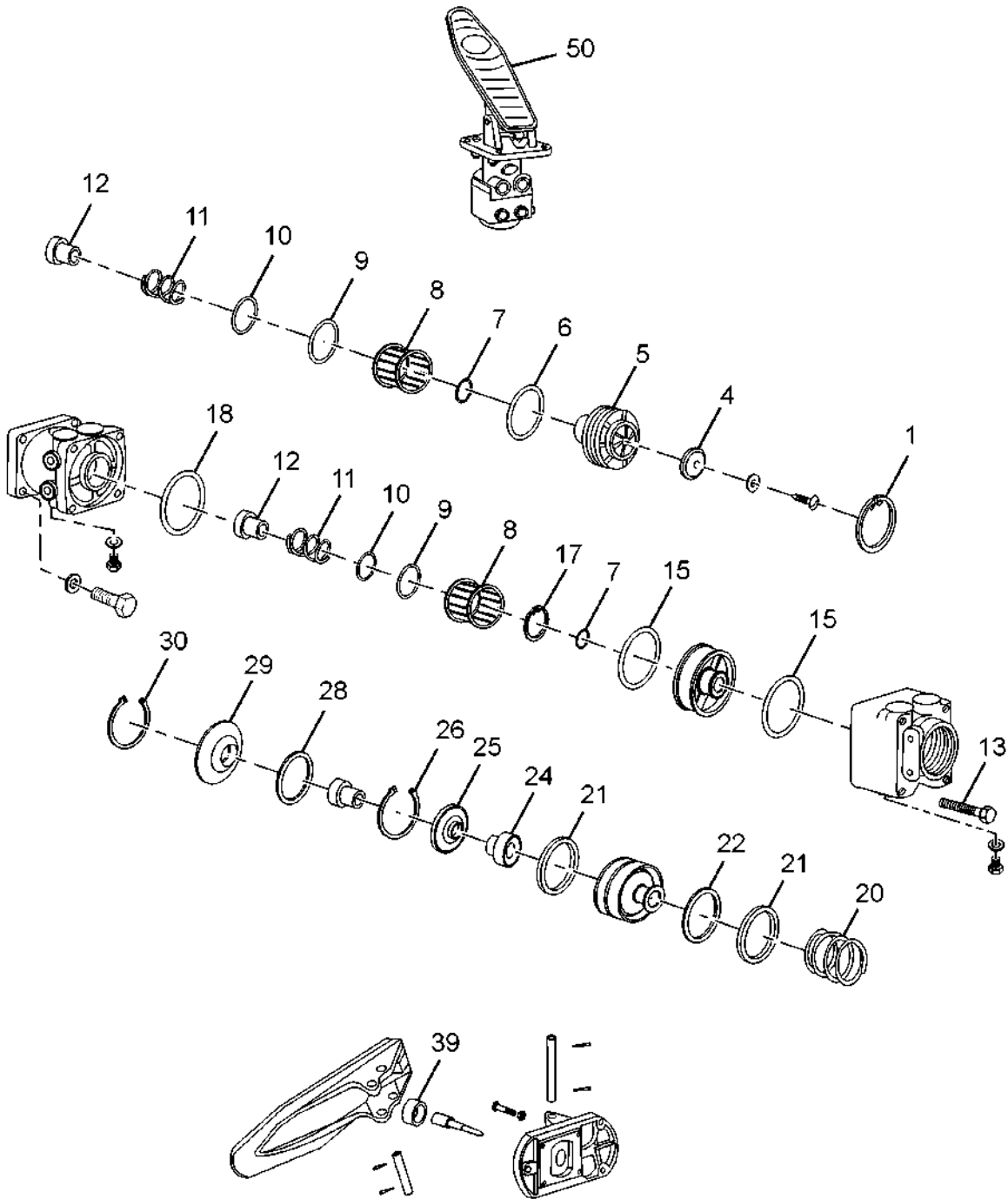
42.42.14		SYSTEM PROTECTION VALVE (FOR CAR CARRIER)		GROUP 42
CHASSIS TYPE: 412091				
FIG. NO.	PART NUMBER	DESCRIPTION	QTY	REMARKS
50	257343700157	SYSTEM PROTECTION VALVE	1	
1	265143508002	SET SCREW	8	
2	-	BASE COVER	1	NOT SERVICED
3	-	GASKET	1	NOT SERVICED
4	-	BODY	1	NOT SERVICED
5	-	VALVE	6	NOT SERVICED
6	-	SPRING	6	NOT SERVICED
7	-	DIAPHRAGM ASSY.	1	NOT SERVICED
8	-	COMPRESSION SPRING	4	NOT SERVICED
9	-	SPRING GUIDE	4	NOT SERVICED
10	-	TOP COVER	1	NOT SERVICED
11	-	PRESSURE SETTING SCREW	4	NOT SERVICED
12	-	DUST COVER	4	NOT SERVICED
	257643740116	REPAIR KIT SYS. PROTECTION VALVE	1	
		CONSISTING OF :		
3	-	GASKET	1	
5	-	VALVE	6	
6	-	SPRING	6	
7	-	DIAPHRAGM ASSY.	1	
12	-	DUST COVER	4	

CHASSIS TYPE: 412091; 412271; 412076



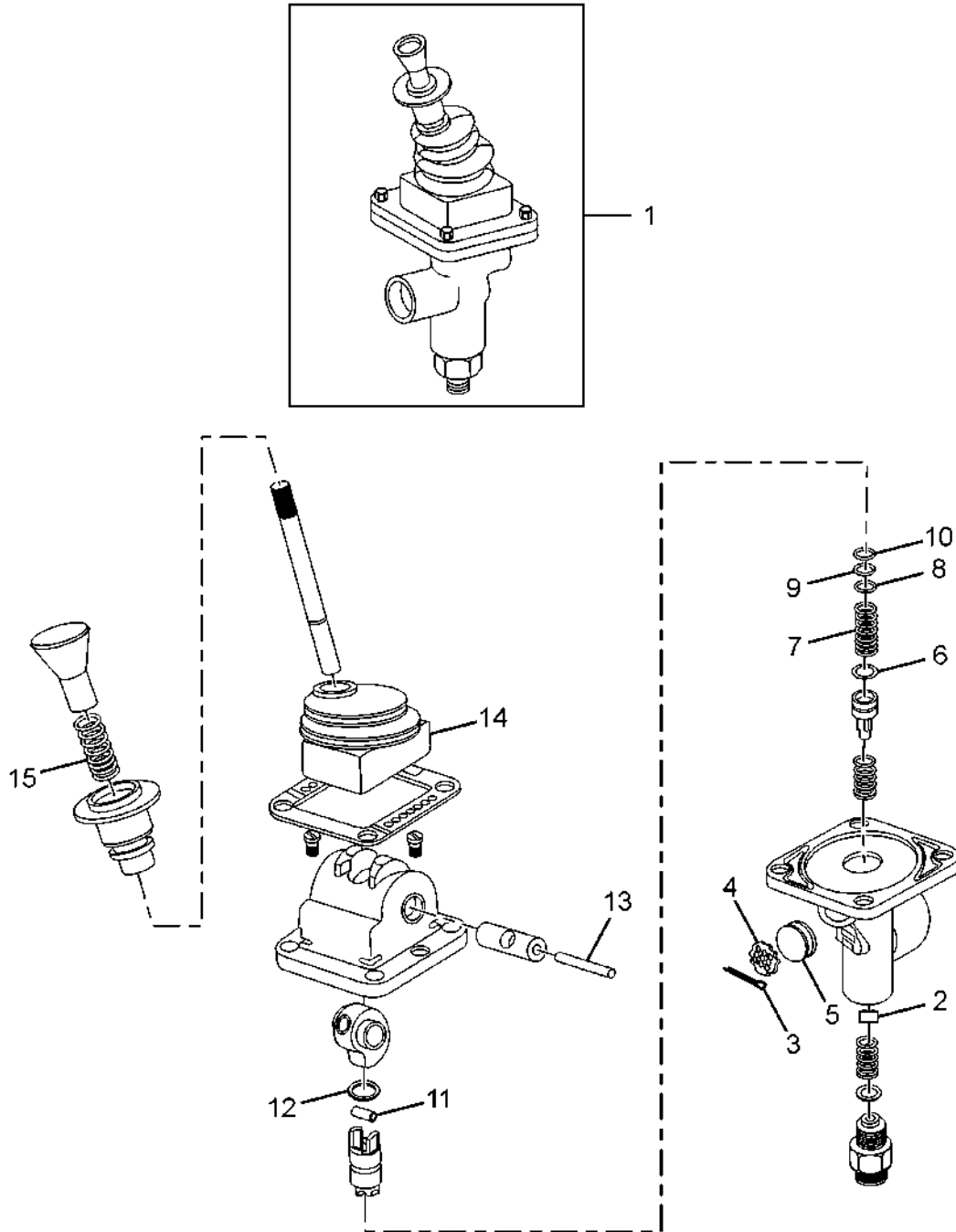
42.42.15		DUAL BRAKE VALVE (LPO)		GROUP 42
CHASSIS TYPE: 412091; 412271; 412076				
FIG. NO.	PART NUMBER	DESCRIPTION	QTY	REMARKS
50	206843100101	DUAL BRAKE VALVE	1	
	257643730134	REPAIR KIT DUAL BRAKE VALVE	1	
		CONSISTING OF :		
1	-	CIRCLIP	1	
4	-	WASHER	1	
6	-	'O' RING	1	
7	-	'O' RING	2	
9	-	'O' RING	2	
10	-	'O' RING	2	
11	-	CONCICAL SPRING	2	
12	-	VALVE	2	
15	-	'O' RING	2	
17	-	CIRCLIP INTERNAL	1	
18	-	'O' RING	1	
21	-	GUIDING RING	2	
22	-	'O' RING	1	
24	-	RUBBER RING	1	
25	-	SPRING SEAT	1	
26	-	CIRCLIP INTERNAL	1	
29	-	BOOT	1	
30	-	CIRCLIP INTERNAL	1	

CHASSIS TYPE: 412073; 412081; 412073; 412052; 412074; 412080



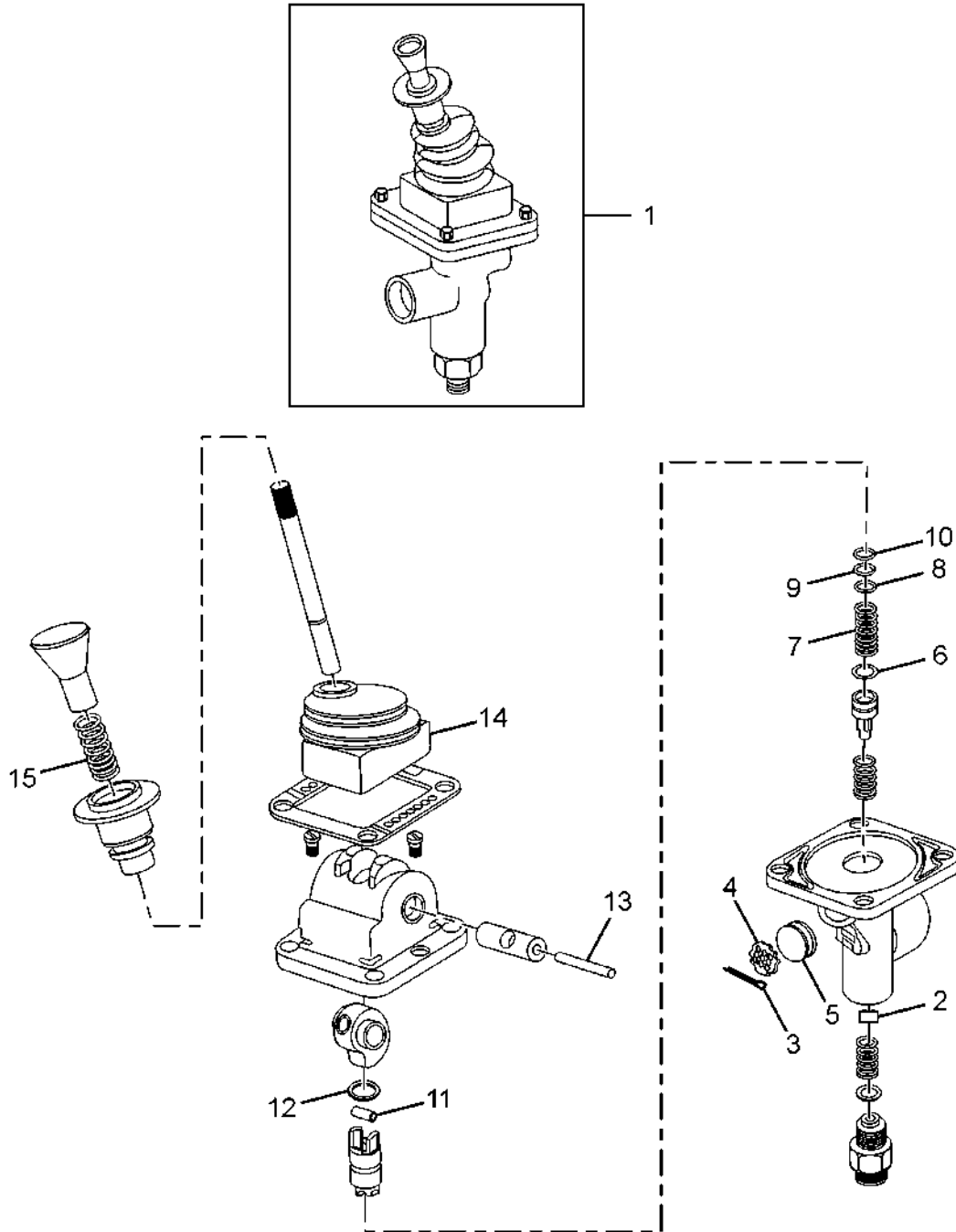
42.42.16		DUAL BRAKE VALVE (LP)		GROUP 42
CHASSIS TYPE: 412073; 412081; 412073; 412052; 412074; 412080				
FIG. NO.	PART NUMBER	DESCRIPTION	QTY	REMARKS
50	278243700105	DUAL BRAKE VALVE	1	
	278243700107	REPAIR KIT DUAL BRAKE VALVE	1	
1	-	CIRCLIP	1	
4	-	WASHER	1	
5	-	VENTING GUIDE	1	
6	-	SEALING RING	1	
7	-	SEALING RING	2	
8	-	INTEGRAL FILTER	2	
9	-	SEALING RING	2	
10	-	SEALING RING	2	
11	-	SPRING	2	
12	-	VALVE	2	
13	-	SCREW	4	
15	-	SEALING RING	2	
17	-	INTERNAL CIRCLIP	1	
18	-	SEALING RING	1	
20	-	SPRING	1	
21	-	GUIDE RING	2	
22	-	SEALING RING	1	
24	-	RUBBER SPRING	1	
25	-	SPRING SEAT	1	
26	-	CIRCLIP	1	
28	-	SPACER	1	
29	-	BOOT	1	
30	-	CIRCLIP	1	
39	-	BOOT	1	

CHASSIS TYPE: 412073; 412081; 412073; 412052; 412074; 412080



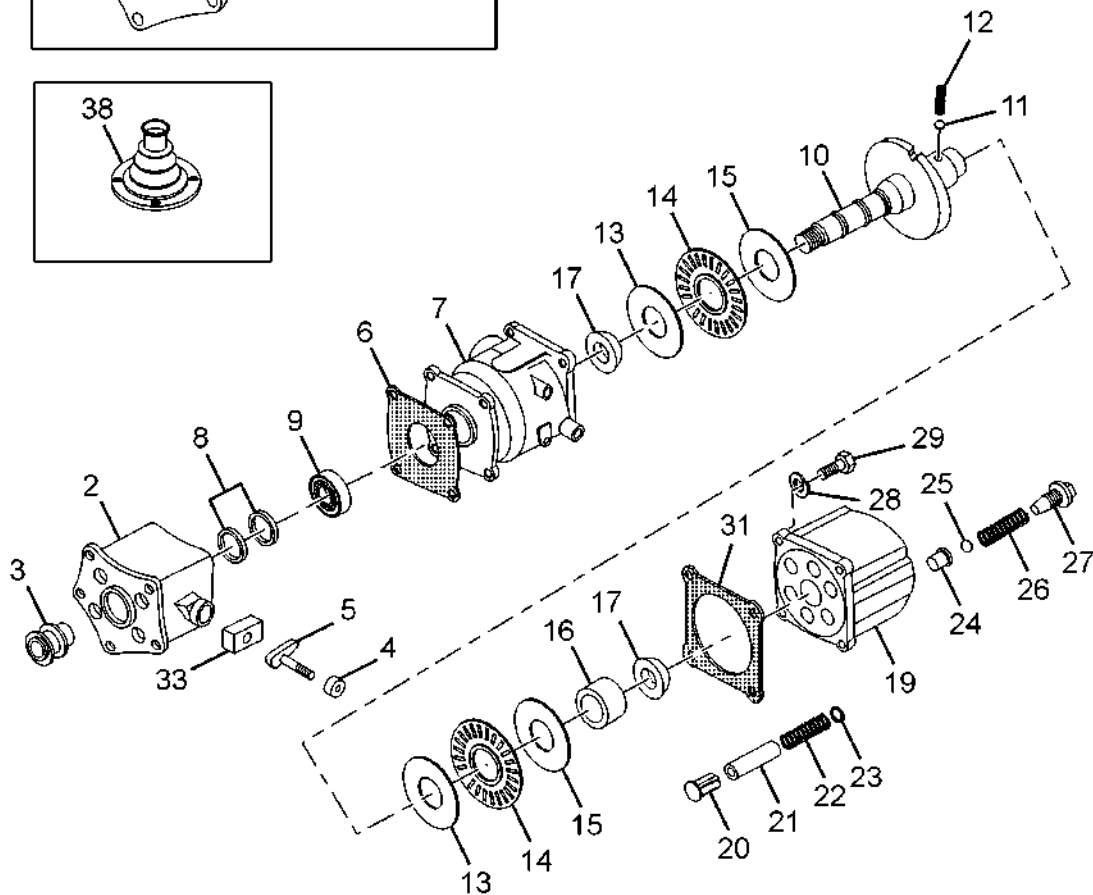
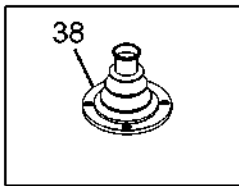
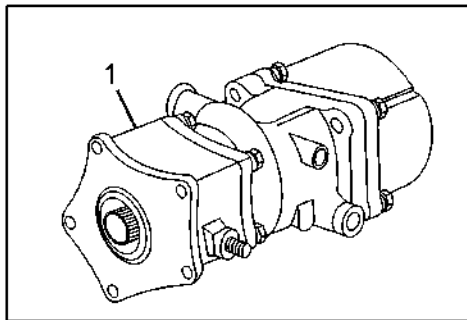
42.42.17A		HAND BRAKE VALVE		GROUP 42
CHASSIS TYPE: 412073; 412081; 412073; 412052; 412074; 412080				
FIG. NO.	PART NUMBER	DESCRIPTION	QTY	REMARKS
1	257343700155	GRADUATED HAND BRAKE VALVE	1	
	257342420001	REPAIR KIT GRADUATED HAND BRAKE VALVE CONSISTING OF :	1	
2	-	VALVE	1	
3	-	SPLIT PIN	1	
4	-	STRAINER PLATE	1	
5	-	FILTER	1	
6	-	SEALING RING	1	
7	-	SPRING	1	
8	-	SHIM	1	
9	-	SHIM	1	
10	-	SHIM	1	
11	-	ROLLER	1	
12	-	SEALING RING	1	
13	-	TENSION PIN	1	
14	-	GAITER	1	
15	-	SPRING	1	
	-	GREASE SACHET	1	

CHASSIS TYPE: 412091; 412271; 412076



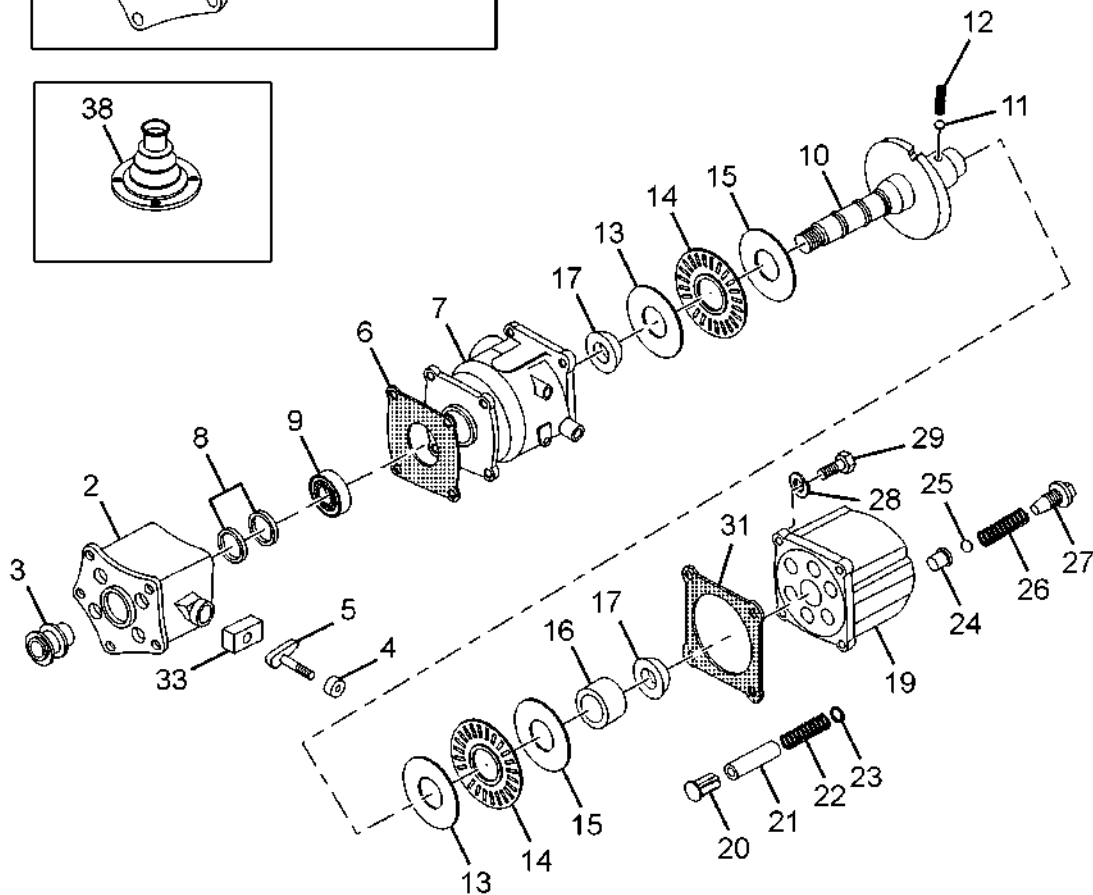
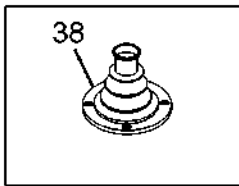
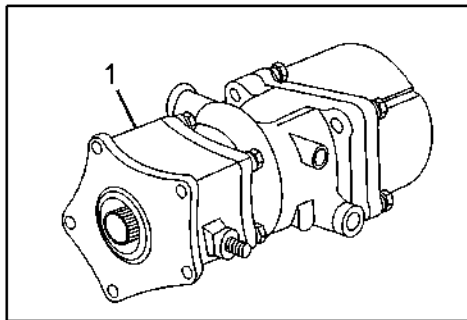
42.42.17B		HAND BRAKE VALVE		GROUP 42
CHASSIS TYPE: 412091; 412271; 412076				
FIG. NO.	PART NUMBER	DESCRIPTION	QTY	REMARKS
1	257343700153	GRADUATED HAND BRAKE VALVE	1	
	257342420001	REPAIR KIT GRADUATED HAND BRAKE VALVE CONSISTING OF :	1	
2	-	VALVE	1	
3	-	SPLIT PIN	1	
4	-	STRAINER PLATE	1	
5	-	FILTER	1	
6	-	SEALING RING	1	
7	-	SPRING	1	
8	-	SHIM	1	
9	-	SHIM	1	
10	-	SHIM	1	
11	-	ROLLER	1	
12	-	SEALING RING	1	
13	-	TENSION PIN	1	
14	-	GAITER	1	
15	-	SPRING	1	
	-	GREASE SACHET	1	

CHASSIS TYPE: 412091



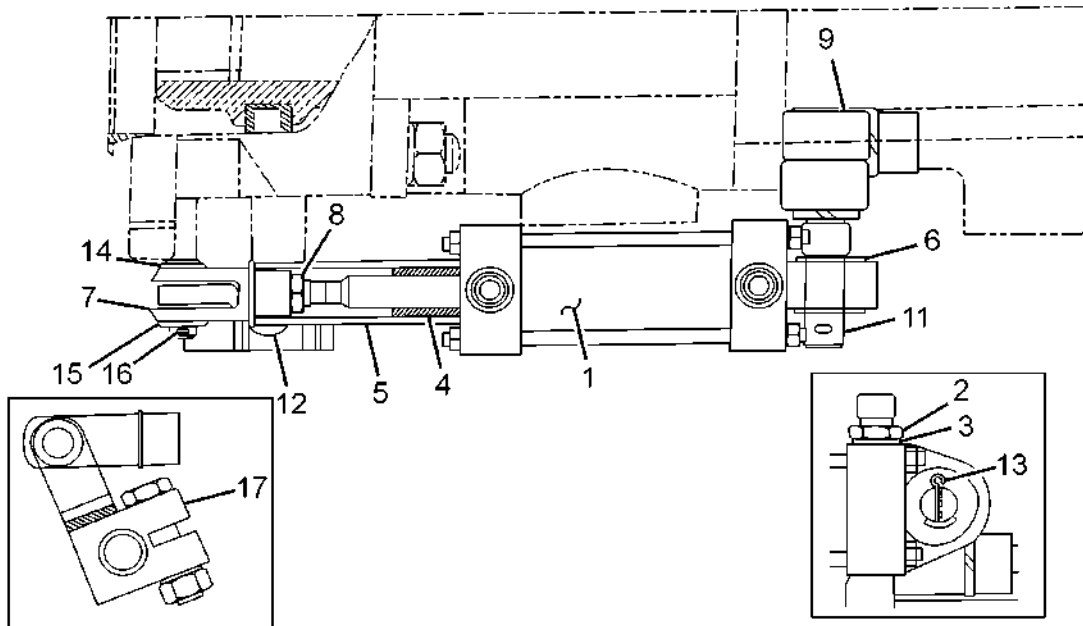
44.44.01		AXIAL PISTON PUMP (MK II) FOR CAR CARRIER		GROUP 44
CHASSIS TYPE: 412091				
FIG. NO.	PART NUMBER	DESCRIPTION	QTY	REMARKS
1	251052300142	AXIAL PISTON PUMP WITH SHIFT CYLINDER	1	
	251052300141	ASSY. AXIAL PISTON PUMP W/O SHIFT CYLINDER	1	
2	251052313713	HOUSING, SHIFTER	1	
3	251052324601	SLEEVE COUPLER	1	
33	251052313405	PIECE, SHIFTER	1	
4	17061698019	OIL SEAL B 16X24X6.5	1	
5	251052316002	SHAFT, SHIFTER	1	
6	251052315303	GASKET	1	
7	251052313711	HOUSING	1	
8	17061604529	OIL SEAL B 45X62X8	2	
9	15662022095	BEARING T.R. 45KB22	1	
10	251052337906	SHAFT	1	
11	15950100807	BALL STEEL 8 MM	2	
12	251052318703	SPRING, DETENT	1	
13	251052333102	BRG. RACE (SMALL)	1	
14	251052333104	CYL. ROLLER CAGE (THRUST)	1	
15	251052333103	BRG. RACE LARGER	1	
16	251052333407	BUSH	1	
	251052315302	GASKET	1	
17	251052318604	SPACER	1	
19	251052313710	HOUSING PLUNGER	1	
20	251052326604	POPPET	6	
21	251052326605	SLEEVE	6	OPTIONAL
21	251052326606	SLEEVE	6	OPTIONAL
22	251052328703	SPRING COMPRESSION	6	
23	251052319201	WASHER	6	
24	251052319901	BALL SEAT	6	
25	15950400169	BALL STEEL 1/2 IN DIA.	6	
26	251052318702	SPRING	6	
27	251052317207	PLUG	6	
31	251052315302	GASKET (SEAL HSG. TO PLUNGER HSG.)	1	
28	12521201205	SPG. WASHER B 12	4	
29	11411412352	CAP. SCREW M 12X35	4	
	251052317202	PLUG, BEEDING	2	
38	257428457501	RUBBER BELLOW	1	
	251052300134	REPAIR KIT (FOR AXIAL PISTON PUMP)	1	
		CONSISTING OF :		
8	-	OIL SEAL	2	

CHASSIS TYPE: 412091



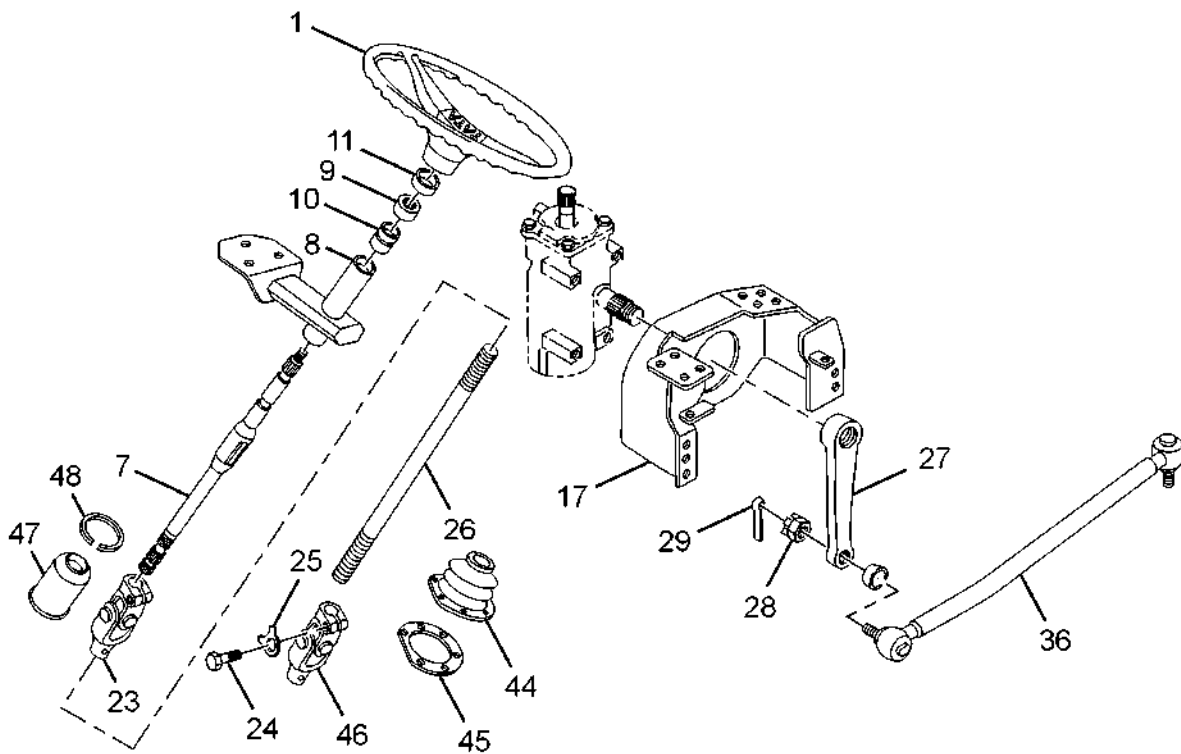
44.44.01		AXIAL PISTON PUMP (MK II) FOR CAR CARRIER		GROUP 44	
CHASSIS TYPE: 412091					
FIG. NO.	PART NUMBER	DESCRIPTION	QTY	REMARKS	
4	-	OIL SEAL	1		
6	-	GASKET	1		
	-	GASKET	1		
	-	GASKET	1		

CHASSIS TYPE: 412091



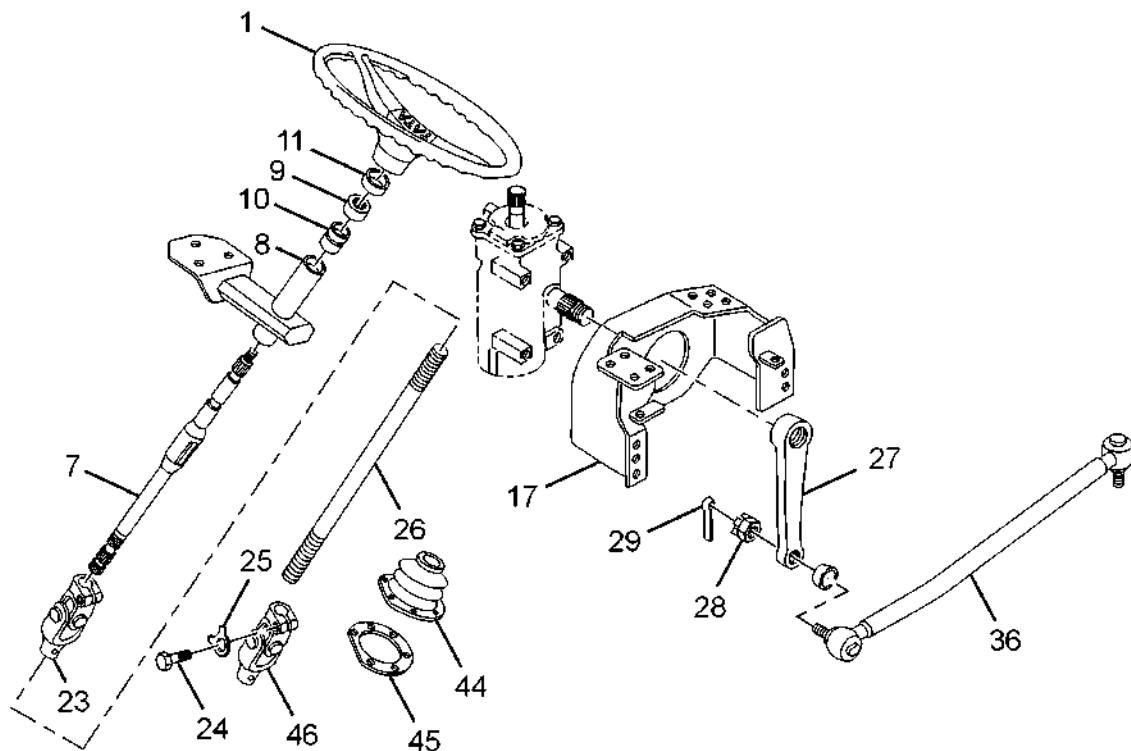
44.44.02		SHIFTING CYLINDER FOR CAR CARRIER		GROUP 44
CHASSIS TYPE: 412091				
FIG. NO.	PART NUMBER	DESCRIPTION	QTY	REMARKS
1	259445200102	ASSY SHIFTING CYLINDER	1	NOT SERVICED
2	16440500602	COUPLING BODY L 6 M	2	
3	16220510135	SEALING WASHER 10X13.5	2	
4	259444118602	SPACER	1	
5	251052328703	COMPRESSION SPRING	1	
6	251052319201	WASHER	1	
7	17273408169	FORK HEAD 8X16	1	
8	12080800809	HEX THIN NUT M 8	1	
9	257544119901	BOSS FOR MTG SHIFTING CYLINDER	1	
10	12520696014	SPRING WASHER B 12	1	
11	259444116701	PIVOT PIN	1	
12	259444119201	WASHER	2	
13	-	SPLIT PIN 3.2X18	1	
14	259444116702	CLEVIS PIN	1	
15	12460500841	BRIGHT WASHER 8.4	1	
16	13150606106	SPLIT PIN 2X10	1	
17	257544110107	LEVER ASSY	1	

CHASSIS TYPE: 412073; 412081; 412073; 412052; 412074; 412080



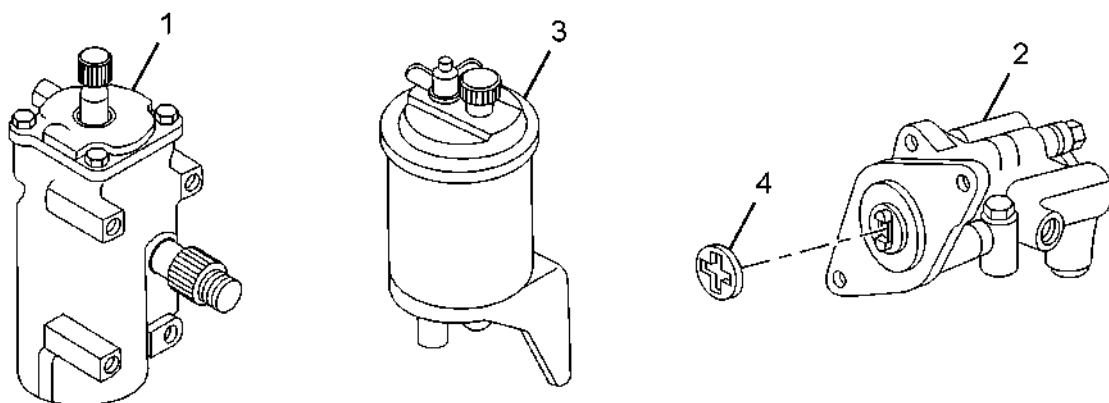
46.46.01A		STEERING LINKAGES		GROUP 46
CHASSIS TYPE: 412073; 412081; 412073; 412052; 412074; 412080				
FIG. NO.	PART NUMBER	DESCRIPTION	QTY	REMARKS
1	257346400101	ASSY. STEERING WHEEL 550 DIA.	1	
7	257346217904	STEERING SPINDLE - TOP (332 MM)	1	
8	261846100105	ASSY. STEERING COLUMN SUPPORT	1	
9	3124621150	BUSH FOR STEERING ROD	2	
10	3214620165	RETAINING RING	2	
	3424620075	WASHER	2	
11	3224620023	COVER	2	
	257446206301	CAM	1	
17	261846100109	ASSY. BRACKET STEERING GEAR BOX MOUNTING	1	
23	257346200106	ASSY. U.J. STEERING (TOP)	1	
24	3219900401	HEX SCREW	2	
25	12580601055	TAB WASHER 10.5	2	
26	257646207911	STEERING SPINDLE BOTTOM	1	FOR ZF POWER STG
26	277046207903	STEERING SPINDLE BOTTOM	1	FOR RANE, CHINA POWER STG
27	206346305104	PITMAN ARM	1	
28	257346108002	HEX SCREW	4	
28	12102296034	THIN CASTLE NUT M 36 X 15	1	
29	13150611614	SPLIT PIN 6.3 X 63	1	
36	206046000121	ASSY. DRAG LINK	1	
44	270046106302	PROTECTIVE RUBBER CAP(AT CUT-OUT ON FLOOR PANEL)	1	
45	257346108209	CLAMPING RING.(AT CUT-OUT ON FLOOR PANEL)	1	
46	257346200106	ASSY. U. J. STEERING (BOTTOM)	1	FOR ZF POWER STG
46	257346200108	ASSY. U. J. STEERING (BOTTOM)	1	FOR RANE, CHINA POWER STG
47	257346107501	PROTECTIVE COVER (FOR TOP U. J.)	1	
48	257346108209	SPRING CLIP (FOR PROTECTIVE COVER)	1	
	260846000121	DRAG LINK REPAIR KIT CONSISTING OF :	1	
	-	BALL PIN	2	
	-	TOP CAP	2	
	-	BOTTOM CAP	2	
	-	SPRING	2	
	-	LOCKING RING	2	
	-	DUST COVER	2	
	-	CASTLE NUT M 18 X 1.5	2	
	-	SPLIT PIN	2	

CHASSIS TYPE: 412091; 412271; 412076



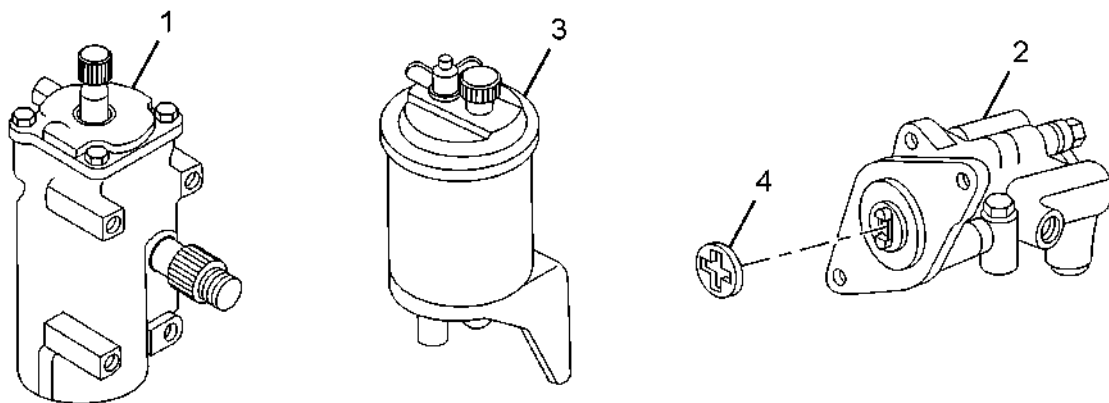
46.46.01B		STEERING LINKAGES		GROUP 46
CHASSIS TYPE: 412091; 412271; 412076				
FIG. NO.	PART NUMBER	DESCRIPTION	QTY	REMARKS
1	257346400101	ASSY. STEERING WHEEL 550 DIA.	1	
7	257346217904	STEERING SPINDLE - TOP (332 MM)	1	
8	207346100103	ASSY. STEERING COLUMN SUPPORT	1	
9	3124621150	BUSH FOR STEERING ROD	2	
10	3214620165	RETAINING RING	2	
	3424620075	WASHER	2	
11	3224620023	COVER	2	
	257446206301	CAM	1	
17	275046100101	ASSY. BRACKET STEERING GEAR BOX MOUNTING	1	
23	257346200106	ASSY. U.J. STEERING (TOP)	1	
24	3219900401	HEX SCREW	2	
25	12580601055	TAB WASHER 10.5	2	
26	257446207904	STEERING SPINDLE BOTTOM	1	FOR ZF POWER STG
26	257446207913	STEERING SPINDLE BOTTOM	1	FOR RANE, CHINA POWER STG
27	206346305104	PITMAN ARM	1	
28	12102296034	THIN CASTLE NUT M 36 X 15	1	
29	13150611614	SPLIT PIN 6.3 X 63	1	
36	206346000112	ASSY. DRAG LINK	1	
44	257546106303	RUBBER BELLOW	1	
45	257546108202	CLAMPING RING	1	
46	257346200106	ASSY. U. J. STEERING (BOTTOM)	1	FOR ZF POWER STG
46	257346200108	ASSY. U. J. STEERING (BOTTOM)	1	FOR RANE, CHINA POWER STG
	260846000121	DRAG LINK REPAIR KIT CONSISTING OF :	1	
	-	BALL PIN	2	
	-	TOP CAP	2	
	-	BOTTOM CAP	2	
	-	SPRING	2	
	-	LOCKING RING	2	
	-	DUST COVER	2	
	-	CASTLE NUT M 18 X 1.5	2	
	-	SPLIT PIN	2	

CHASSIS TYPE: 412073; 412081; 412073; 412052; 412074; 412080



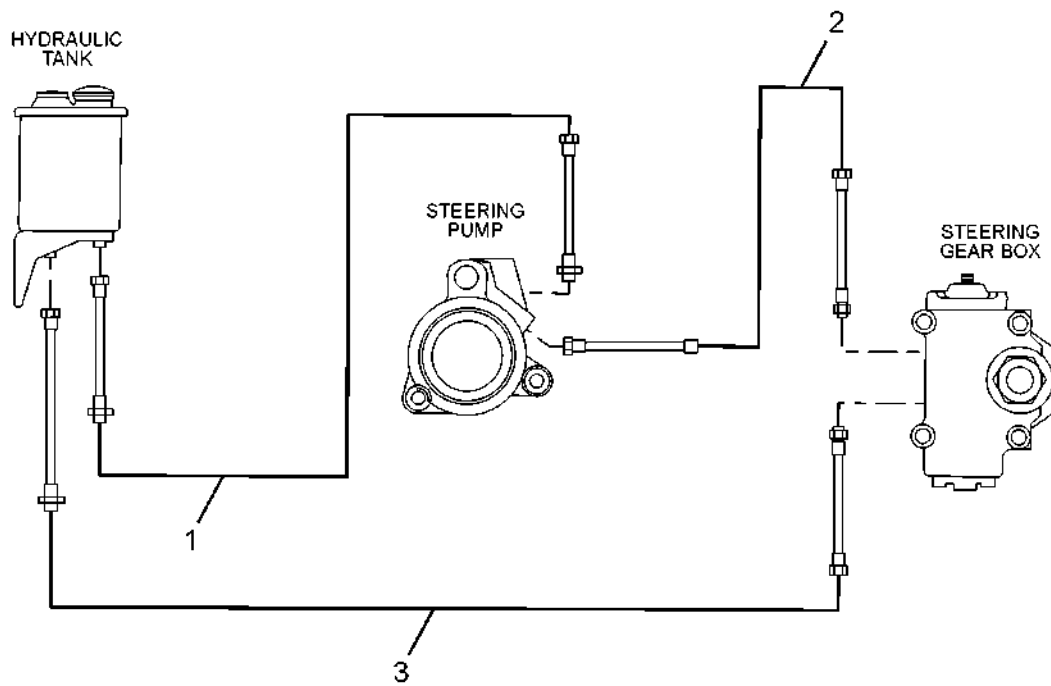
46.46.02A		POWER STEERING COMPONENTS		GROUP 46	
CHASSIS TYPE: 412073; 412081; 412073; 412052; 412074; 412080					
FIG. NO.	PART NUMBER	DESCRIPTION	QTY	REMARKS	
1	257346600101	ASSY. POWER STG. GEAR BOX (RANE)	1	FOR SELECTION WITH ZF	
2	276346600101	STEERING PUMP (RANE)	1	FOR SELECTION WITH ZF	
3	278244400102	STEERING TANK ASSY. (RANE)	1	FOR SELECTION WITH ZF	
3	277046600102	STEERING TANK ASSY. (RANE)--PLASTIC VERSION	1	FOR SELECTION WITH ZF	
1	257346100144	ASSY. STEERING GEAR BOX (ZF)	1	FOR SELECTION WITH RANE	
2	275446600103	STEERING PUMP (ZF)	1	FOR SELECTION WITH RANE	
3	278244400101	STEERING TANK ASSY. (ZF)	1	FOR SELECTION WITH RANE & CHINA STRG SYSTEM	
3	278244400103	STEERING TANK ASSY. (ZF)--PLASTIC VERSION	1	FOR SELECTION WITH RANE	
1	277046000109	ASSY. POWER STG. GEAR BOX (CHINA STRG SYSTEM)	1	FOR SELECTION WITH ZF	
2	277046000110	STEERING PUMP (CHINA STRG SYSTEM)	1	FOR SELECTION WITH ZF	
3	277046000111	STEERING TANK ASSY. (CHINA STRG SYSTEM)	1	FOR SELECTION WITH ZF	
4	275546604601	COUPLING	1		

CHASSIS TYPE: 412091; 412271; 412076



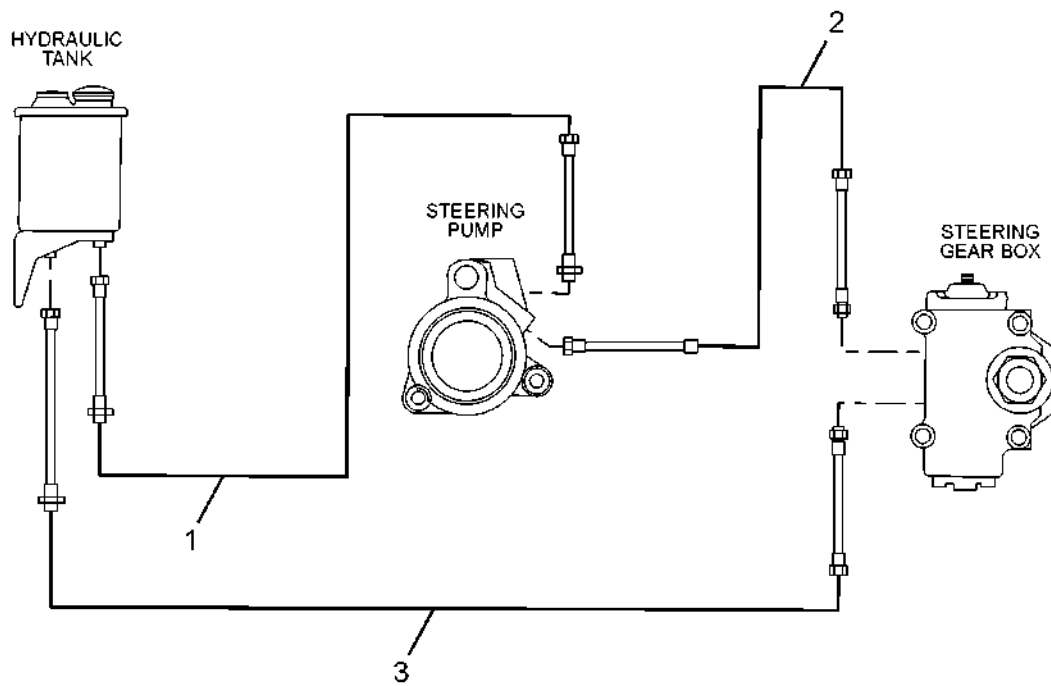
46.46.02B		POWER STEERING COMPONENTS		GROUP 46
CHASSIS TYPE: 412091; 412271; 412076				
FIG. NO.	PART NUMBER	DESCRIPTION	QTY	REMARKS
1	257346600101	ASSY. POWER STG. GEAR BOX (RANE)	1	FOR SELECTION WITH ZF
2	275546600101	STEERING PUMP (RANE)	1	FOR SELECTION WITH ZF
3	278244400102	STEERING TANK ASSY. (RANE)	1	FOR SELECTION WITH ZF
1	257346100144	ASSY. STEERING GEAR BOX (ZF)	1	FOR SELECTION WITH RANE
2	275446600103	STEERING PUMP (ZF)	1	FOR SELECTION WITH RANE
3	278244400101	STEERING TANK ASSY. (ZF)	1	FOR SELECTION WITH RANE & CHINA STRG SYSTEM
4	275546604601	COUPLING	1	

CHASSIS TYPE: 412073; 412081; 412073; 412052; 412074; 412080



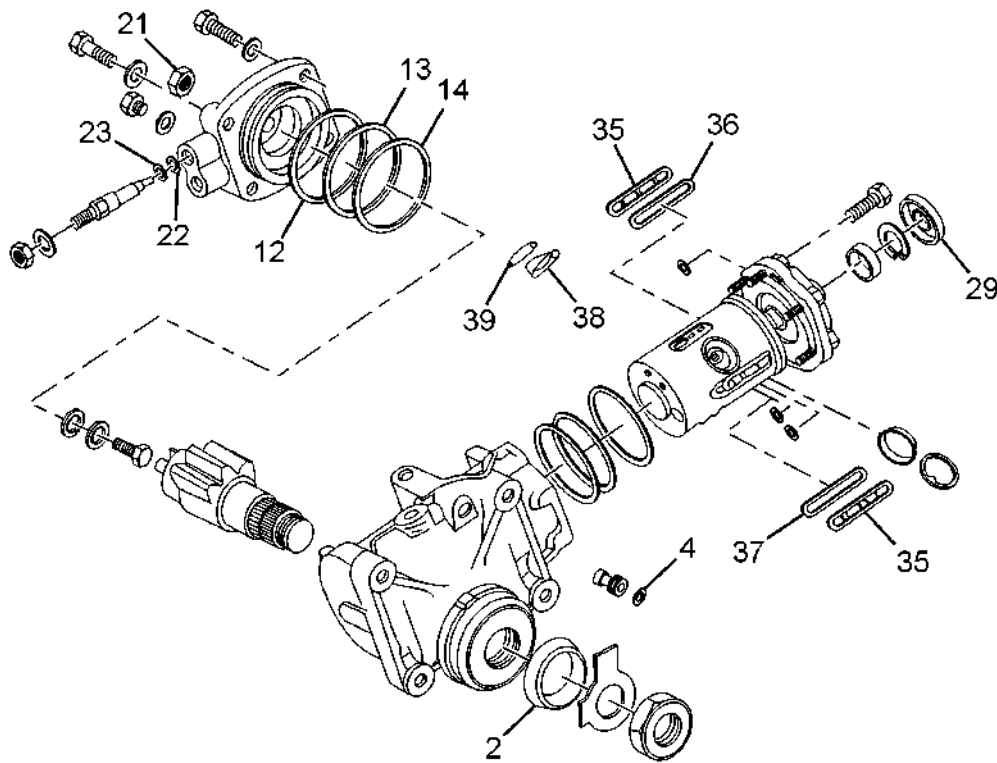
46.46.03A		STEERING PIPE LINES		GROUP 46	
CHASSIS TYPE: 412073; 412081; 412073; 412052; 412074; 412080					
FIG. NO.	PART NUMBER	DESCRIPTION	QTY	REMARKS	
1	209646150153	(NEW RANE/CHINA POWER STRG PIPE LINE NIPPLE TYPE) KIT ASSY PIPES	1		
	207746800157	SUCTION LINE HOSE ASSY. (TANK TO PUMP)	1		
	207746800156	PRESSURE LINE HOSE ASSY. (STRG GEAR BOX TO PUMP)	1		
3	207746800154	RETURN LINE HOSE ASSY. (STRG TANK TO STRG GEAR BOX)	1		
1	209646150152	(NEW ZF POWER STRG PIPE LINE NIPPLE TYPE) KIT ASSY PIPES	1		
	207746800157	SUCTION LINE HOSE ASSY. (TANK TO PUMP)	1		
	207746800155	PRESSURE LINE HOSE ASSY. (STRG GEAR BOX TO PUMP)	1		
3	207746800153	RETURN LINE HOSE ASSY. (STRG TANK TO STRG GEAR BOX)	1		

CHASSIS TYPE: 412091; 412271; 412076



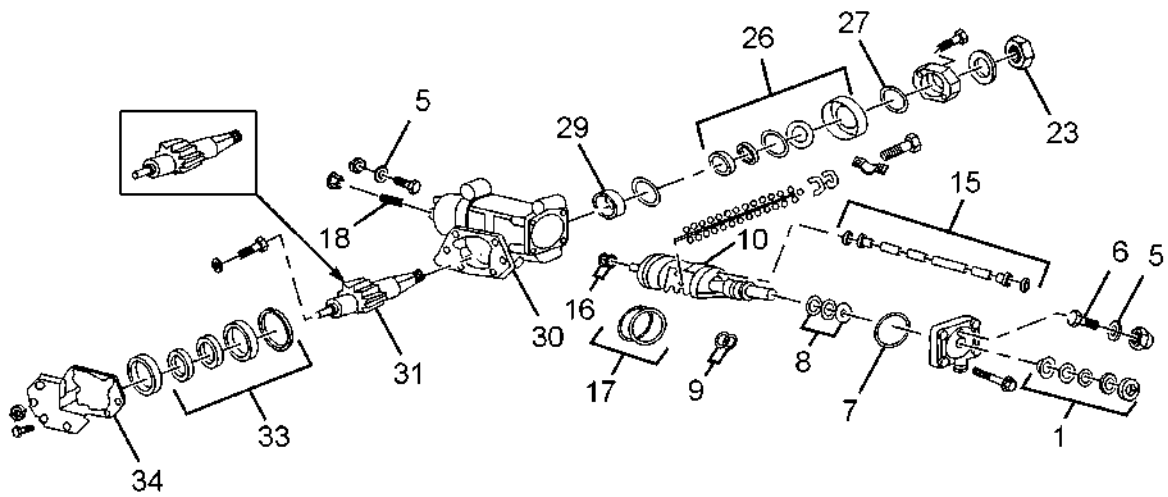
46.46.03B		STEERING PIPE LINES		GROUP 46	
CHASSIS TYPE: 412091; 412271; 412076					
FIG. NO.	PART NUMBER	DESCRIPTION	QTY	REMARKS	
1	209646150176	(NEW RANE/CHINA POWER STRG PIPE LINE NIPPLE TYPE) KIT ASSY PIPES	1		
	207346800107	SUCTION LINE HOSE ASSY. (TANK TO PUMP)	1		
	207346800109	PRESSURE LINE HOSE ASSY. (STRG GEAR BOX TO PUMP)	1		
3	207346800111	RETURN LINE HOSE ASSY. (STRG TANK TO STRG GEAR BOX)	1		
1	209646150175	(NEW ZF POWER STRG PIPE LINE NIPPLE TYPE) KIT ASSY PIPES	1		
	207346800107	SUCTION LINE HOSE ASSY. (TANK TO PUMP)	1		
	207346800108	PRESSURE LINE HOSE ASSY. (STRG GEAR BOX TO PUMP)	1		
3	207346800110	RETURN LINE HOSE ASSY. (STRG TANK TO STRG GEAR BOX)	1		

CHASSIS TYPE: ALL



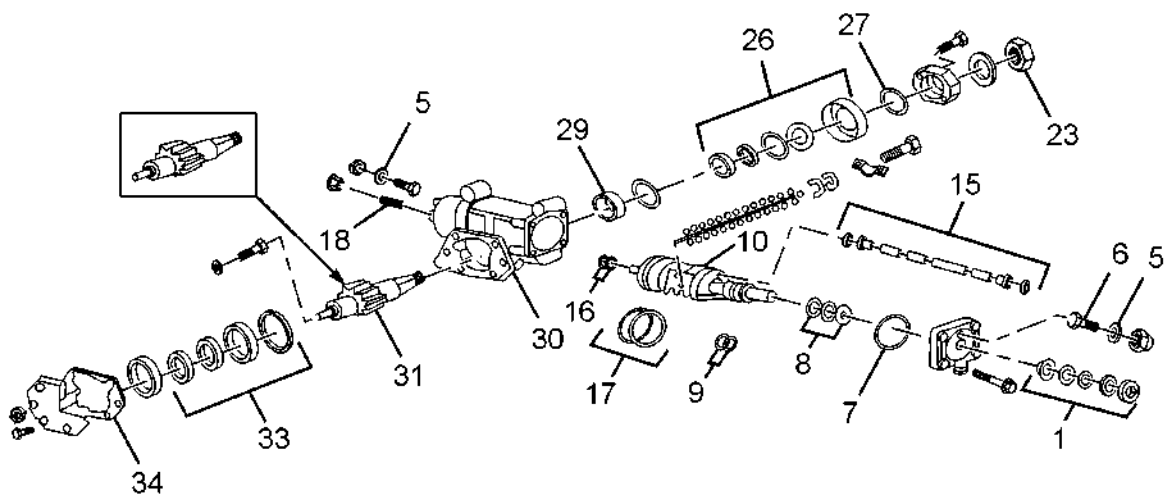
46.46.04		STEERING GEAR BOX (ZF)		GROUP 46	
CHASSIS TYPE: ALL					
FIG. NO.	PART NUMBER	DESCRIPTION	QTY	REMARKS	
	257346100144	STEERING GEAR BOX - ZF	1		
	257346210102	SEAL KIT (POWER STEERING GEAR BOX)	1		
		CONSISTNG OF :			
2	-	DUST SEAL	1		
	-	GASKET	3		
	-	SUPPORT RING	3		
4	-	'O' RING	1		
13	-	'O' RING	1		
12	-	'O' RING	1		
14	-	SEALING RING	1		
21	-	SEALING NUT	1		
22	-	'O' RING	2		
23	-	'O' RING	2		
29	-	PROTECTIVE CAP	1		
35	-	GASKET	2		
36	-	GASKET	2		
37	-	GASKET	2		
38	-	GASKET	2		
39	-	GASKET	2		
	-	GASKET	2		

CHASSIS TYPE: ALL



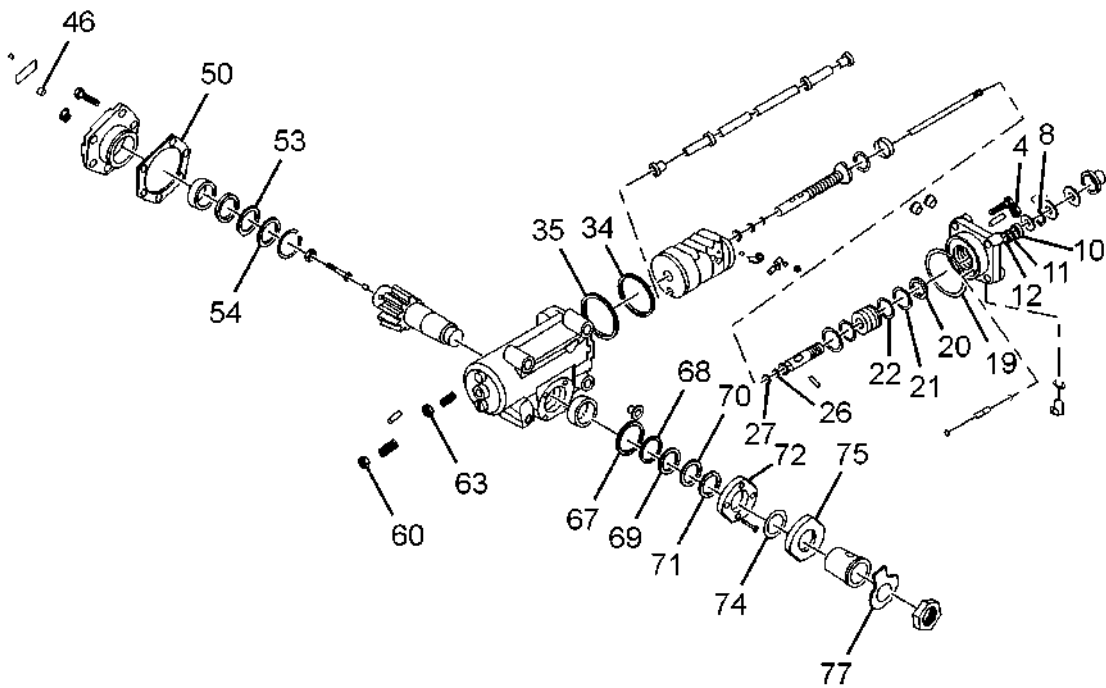
46.46.05		STEERING GEAR BOX (RANE)		GROUP 46	
CHASSIS TYPE: ALL					
FIG. NO.	PART NUMBER	DESCRIPTION	QTY	REMARKS	
1	257346600101	STEERING GEAR BOX - RANE	1		
	257346200115	INPUT SHAFT SEAL KIT CONSISTING OF :	1		
	-	SEAL PROTECTOR	1		
	-	SEAL	1		
	-	RETAINING RING (INTERNAL)	1		
	-	BACK UP WASHER	1		
6	257346208003	ADJ. SCREW POPPET V / HSG.	1		
8	257346203103	THRUST BEARING KIT CONSISTING OF :	1		
	-	THRUST WASHER	1		
	-	NEEDLE THRUST BEARING	1		
	-	THRUST WASHER SPIGOTTED	1		
9	257346200116	SEAL KIT, VALVE SLEEVE CONSISTING OF :	1		
	-	SEAL RING	2		
	-	'O' RING	2		
15	257346200117	WORM RACK ASSY. RHD	1		
	257346200119	POPPET VALVE KIT CONSISTIG OF :	1		
	-	RETAINING RING (INTERNAL)	2		
	-	POPPET VALVE SEAT	2		
	-	NYLON ROD	2		
	-	SPRING	1		
16	257346200120	SEAL KIT WORM SHAFT CONSISITNG OF :	1		
	-	'O' RING	1		
	-	SEAL RING	1		
17	257346200121	SEAL KIT PISTON RACK CONSISTING OF :	1		
	-	'O' RING	1		
	-	SEAL RING	1		
18	257346208005	ADJ. SCREW THRUST	1		
23	257346206504	NUT DROP ARM	1		
26	257346200122	SEAL KIT, TRUNNION COVER CONSISTING OF :	1		
	-	SEAL PROTECTOR	1		
	-	TRUNNION COVER	1		
	-	BACK UP WASHER	1		
	-	SEAL RING ASSY.	1		
27	257346207705	'O' RING	1		
29	257346203002	ROLLER BRG. HSG. COVER	2		

CHASSIS TYPE: ALL



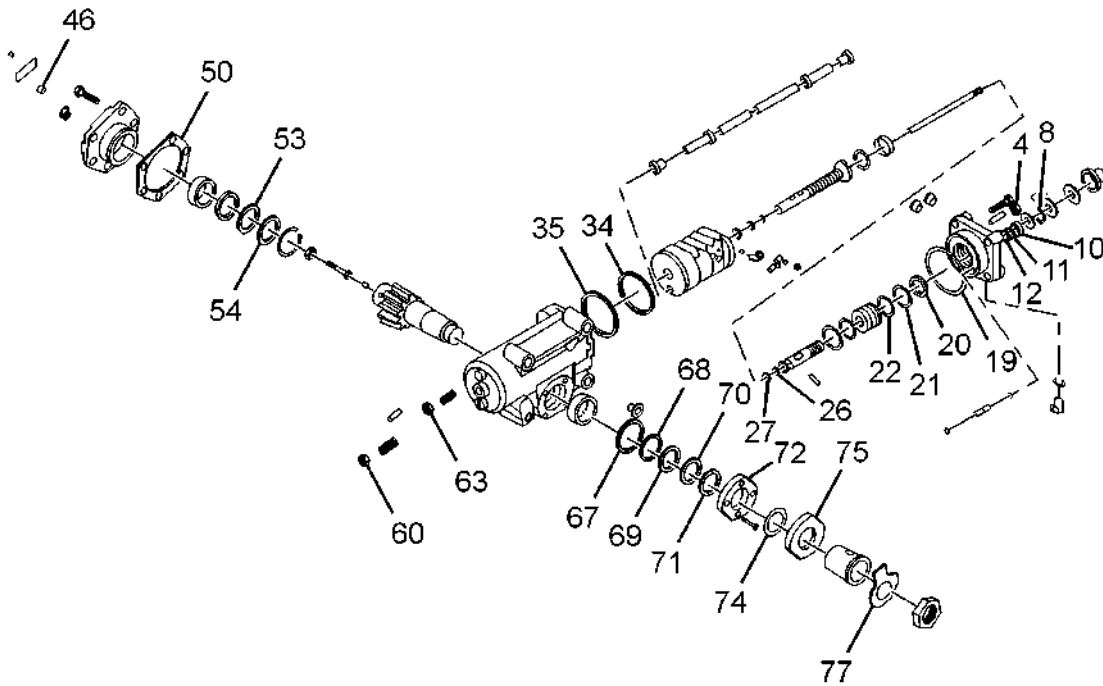
46.46.05		STEERING GEAR BOX (RANE)		GROUP 46	
CHASSIS TYPE: ALL					
FIG. NO.	PART NUMBER	DESCRIPTION	QTY	REMARKS	
30	257346203710	HOUSING	1		
31	257346200123	SECTOR SHAFT ASSY.	1		
33	257346200124	SEAL KIT, SIDE COVER	1		
	-	RETAINING RING (INTERNAL)	1		
	-	SEAL RING ASSY.	1		
	-	BACK UP WASHER	1		
	-	BACK UP WASHER	1		
34	257346205301	SIDE COVER GASKET	1		
	257346200126	MAJOR SEAL KIT CONSISTING OF :	1		
1	257346200115	INPUT SHAFT SEAL KIT	1		
5	257346209201	SEALING WASHER, POPPET ADJ.	2		
7	257346207704	'O' RING V HSG.	1		
9	257346200116	SEAL KIT, VALVE SLEEVE	1		
16	257346200120	SEAL KIT, WORM SHAFT	1		
17	257346200121	SEAL KIT, PISTON RACK	1		
	257346209202	SEALING WASHER	1		
26	257346200122	SEAL KIT, TRUNNION COVER	1		
27	257346207705	'O' RING	1		
33	257346200124	SEAL KIT, SIDE COVER	1		
34	257346205301	SIDE COVER GASKET	1		
	257346207202	PLUG	1		
	257346207707	'O' RING	1		

CHASSIS TYPE: ALL



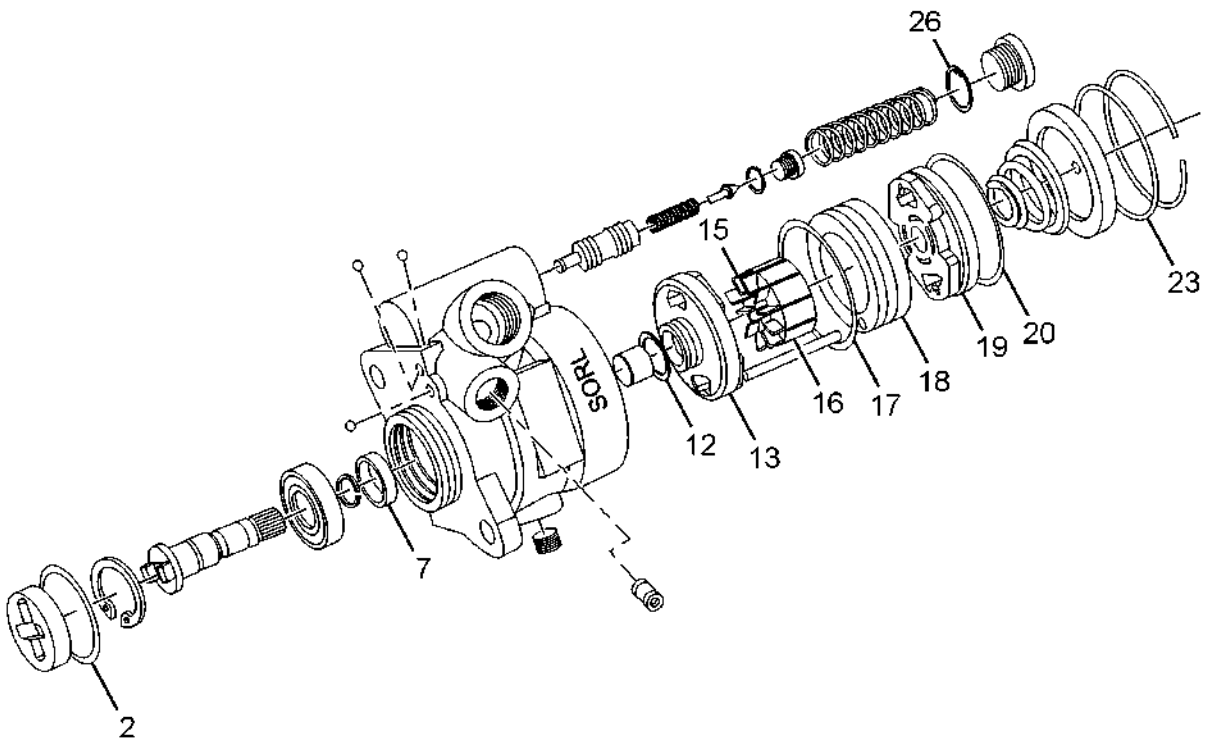
46.46.06		STEERING GEAR BOX (CHINA)		GROUP 46	
CHASSIS TYPE: ALL					
FIG. NO.	PART NUMBER	DESCRIPTION	QTY	REMARKS	
	277046000109	ASSY. POWER STEERING G.B. (CHINA) LOOSE PARTS OF POWER STEERING G.B.	1		
	278246600112	HOUSING ASSEMBLY	1	SHOWN AS FIG NO. 51,65,68,69 IN THE ART	
	278246600113	VALVE HOUSING ASSEMBLY	1	SHOWN AS FIG NO. 4,5,8 TO 16 IN THE ART	
	278246600114	SECTOR SHAFT COVER ASSEMBLY	1	SHOWN AS FIG NO. 70,71,72 IN THE ART	
	278246600115	VALVE SLEEVE ASSEMBLY	1	SHOWN AS FIG NO. 21,22,23 IN THE ART	
	278246600116	INPUT SHAFT AND TORSION BAR ASSEMBLY	1	SHOWN AS FIG NO. 24 TO 28 IN THE ART	
	278246600117	WORM SHAFT ASSEMBLY	1	SHOWN AS FIG NO. 26,27,28,31 IN THE ART	
	278246600118	PISTON ASSEMBLY	1	SHOWN AS FIG NO. 33,34,35,40,41,42,43 IN THE ART	
	278246600119	SECTOR SHAFT ASSEMBLY	1	SHOWN AS FIG NO. 56,57,58,59 IN THE ART	
	278246600120	HOUSING COVER ASSEMBLY	1	SHOWN AS FIG NO. 49,51 TO 55 IN THE ART	
	278246600124	WORM SHAFT AND PISTON ASSEMBLY KITS	1		
	278246600106	SEALING KIT FOR POWER STEERING GEAR BOX CONSISTS OF:	1		
4	-	SEALING NUT	1		
10	-	OIL SEAL ASSEMBLY	1		
11	-	SEALING RING FOR INPUT SHAFT	1		
12	-	O RING FOR INPUT SHAFT	1		
19	-	RECTANGULAR OIL SEAL FOR VALVE HOUSING	1		
20	-	THRUST NEEDLE ROLLER BEARING	1		
21	-	SEALING RING FOR VALVE SLEEVE	2		
22	-	O RING FOR VALVE SLEEVE	2		
26	-	O RING FOR WORM SHAFT	2		
27	-	SEALING RING FOR WORM SHAFT	2		
34	-	O RING FOR RACK PISTON	1		
35	-	SEALING RING FOR RACK PISTON	1		
50	-	SIDE COVER WASHER	1		

CHASSIS TYPE: ALL



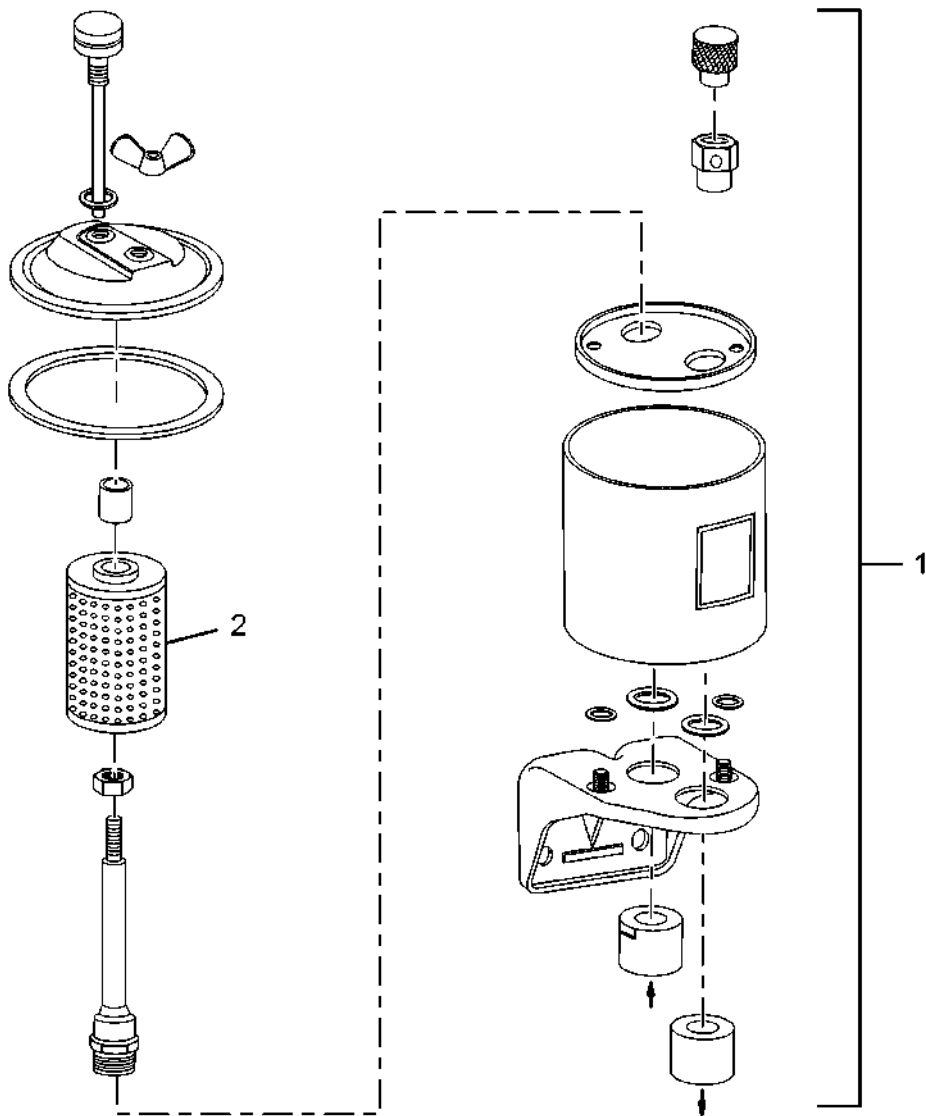
46.46.06		STEERING GEAR BOX (CHINA)		GROUP 46	
CHASSIS TYPE: ALL					
FIG. NO.	PART NUMBER	DESCRIPTION	QTY	REMARKS	
53	-	THRUST WASHER	1		
54	-	SEALING RING ASSEMBLY FOR HOUSING COVER	1		
60	-	SEALING NUT	1		
63	-	SEALING NUT	1		
67	-	RECTANGULAR OIL SEAL FOR PITMAN SHAFT COVER	1		
68	-	SEALING RING	1		
69	-	O RING	1		
70	-	SEALING RING	1		
71	-	HIGH PRESSURE SEALING RING	1		
72	-	DUST OIL SEAL	1		
74	-	DUST OIL SEAL	1		
46	-	PLUG	1		
75	-	DUST COVER	1		
77	-	TAB WASHER/LOCKING PLATE	1		
8	-	RETAINING RING	1		

CHASSIS TYPE: ALL



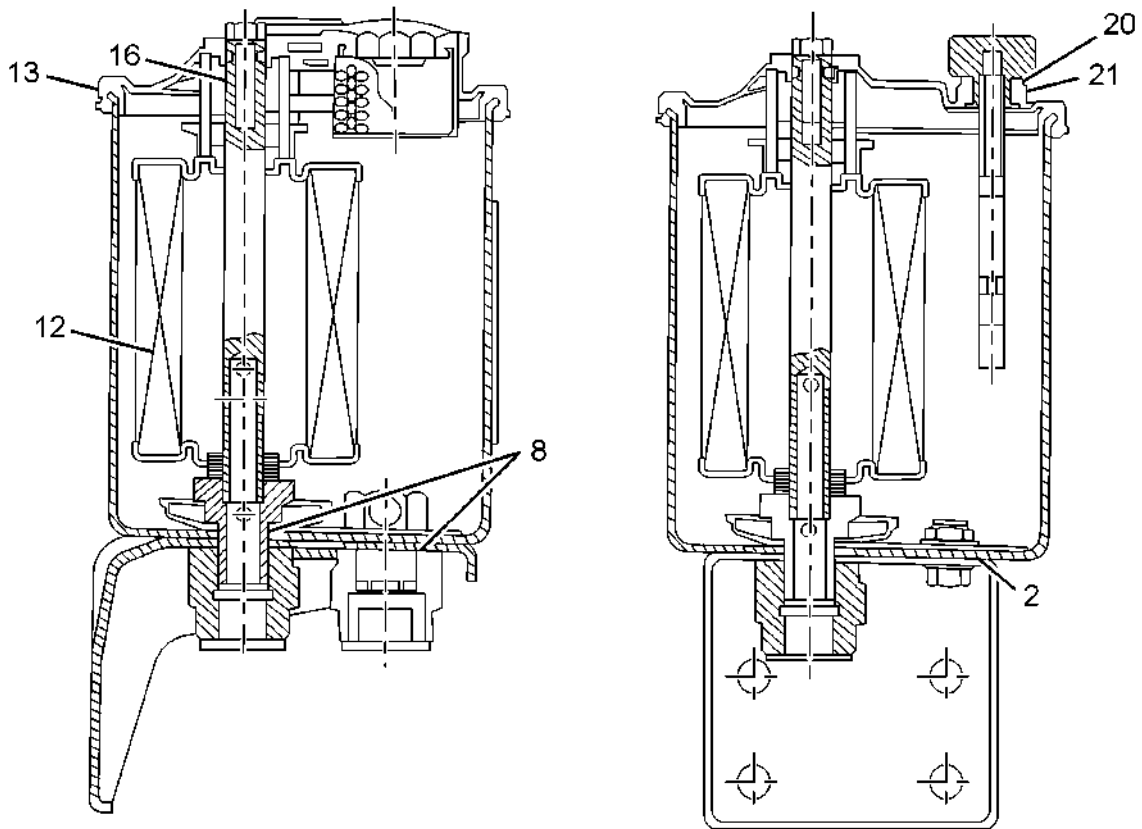
46.46.07		STEERING PUMP(CHINA)		GROUP 46	
CHASSIS TYPE: ALL					
FIG. NO.	PART NUMBER	DESCRIPTION	QTY	REMARKS	
	277046000110	POWER STEERING PUMP (DIRECT DRIVE)	1		
	278246600104	MAJOR KIT FOR POWER STEERING PUMP(ONLY FOR DIRECT DRIVE) CONSISTS OF:	1		
2	-	O-RING 46.2×2.65	1		
7	-	OIL SEAL 17×28×7	1		
12	-	O-RING 20X2.65	1		
13	-	VALVE PLATE ASSY.	1		
15	-	VANE	10		
16	-	ROTOR	1		
17	-	O-RING 64×2.65	1		
18	-	CAM RING	1		
19	-	SIDE PLATE	1		
20	-	O-RING 66×2.65	1		
23	-	O-RING 68×2.65	1		
26	-	O-RING 20×1.8	1		
	278246600105	MINOR KIT FOR POWER STEERING PUMP (DIRECT DRIVE) CONSISTS OF:	1		
2	-	O-RING 46.2×2.65	1		
7	-	OIL SEAL 17×28×7	1		
12	-	O-RING 20X2.65	1		
17	-	O-RING 64×2.65	1		
20	-	O-RING 66×2.65	1		
23	-	O-RING 68×2.65	1		
26	-	O-RING 20×1.8	1		

CHASSIS TYPE: ALL



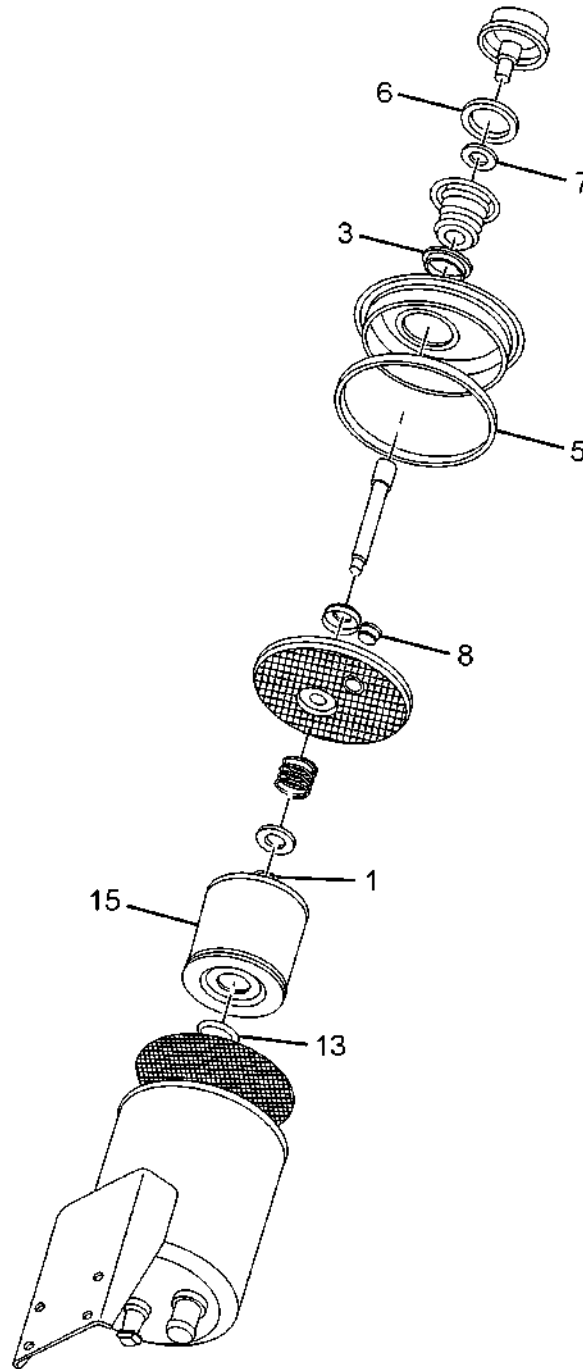
46.46.08		HYDRAULIC TANK (ZF)		GROUP 46	
CHASSIS TYPE: ALL					
FIG. NO.	PART NUMBER	DESCRIPTION	QTY	REMARKS	
1	278244400101	HYD. TANK ASSY. (ZF)	1		
	257344400126	DIPSTICK ASSY.	1		
2	257344400128	FILTER ASSY.	1		
	257344407704	GASKET	1		

CHASSIS TYPE: ALL



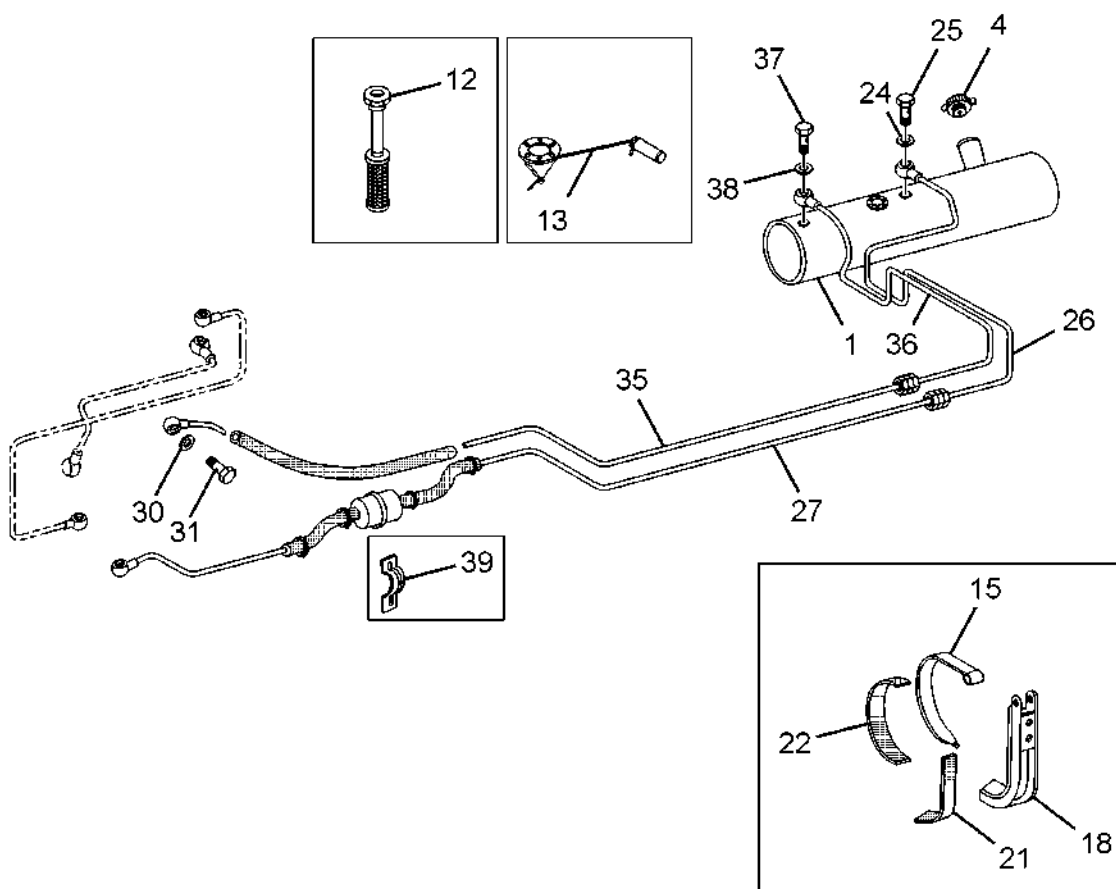
46.46.09		HYDRAULIC TANK (RANE)		GROUP 46	
CHASSIS TYPE: ALL					
FIG. NO.	PART NUMBER	DESCRIPTION	QTY	REMARKS	
	278244400102	HYDRAULIC STEERING TANK ASSY - RANE	1		
12	257344500107	FILTER ASSY.	1		
13	257344507703	COVER SEAL	1		
-	257344500104	OIL FILTER CAP ASSY.	1		
-	257344500111	DIPSTICK ASSY.	1		
	257344500106	SERVICE KIT CONSISTING OFF :	1		
2	-	'O' RING	2		
8	-	'O' RING	2		
12	-	FILTER ASSY.	1		
13	-	COVER SEAL	1		
16	-	STEEL + RUBBER + WASHER	1		
20	-	'O' RING	1		
21	-	'O' RING CUP	1		

CHASSIS TYPE: ALL



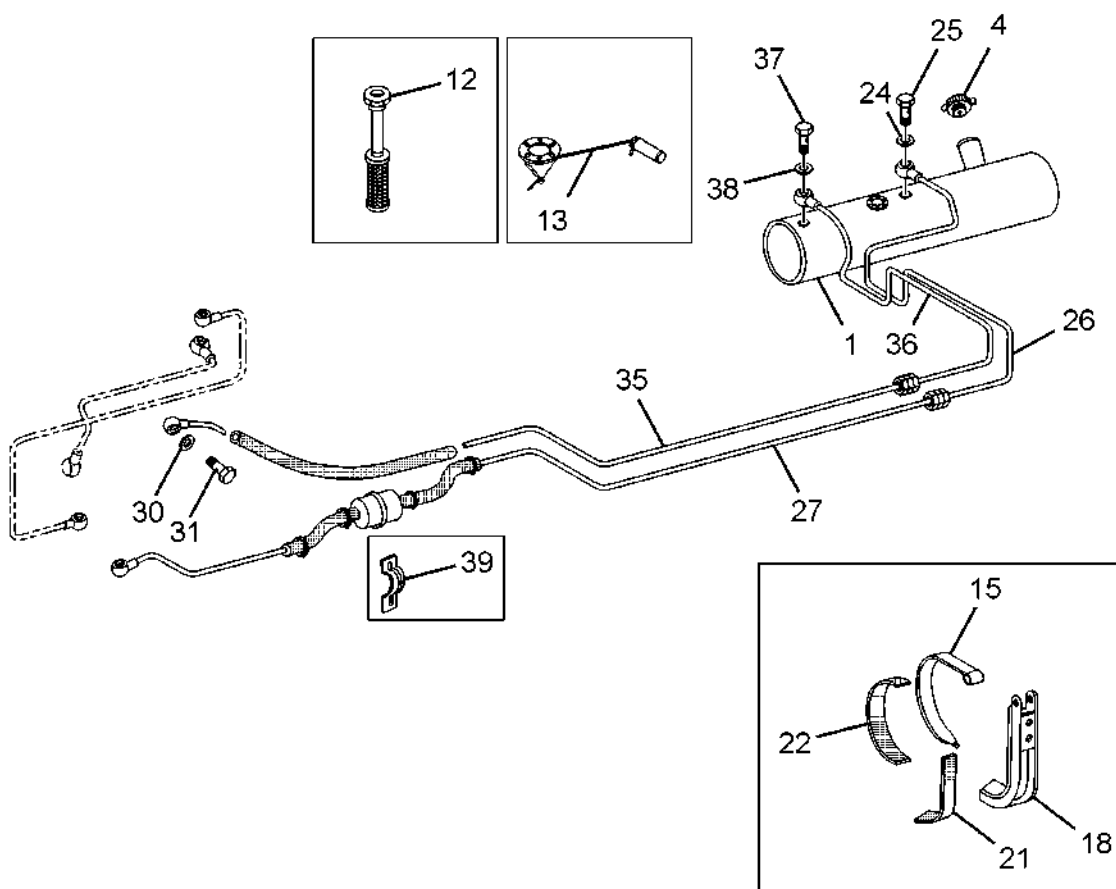
46.46.10		HYDRAULIC TANK (CHINA)		GROUP 46
CHASSIS TYPE: ALL				
FIG. NO.	PART NUMBER	DESCRIPTION	QTY	REMARKS
	277046000111	RESERVOIR (POWER STEERING) (CHINA)	1	
	278246600108	KIT FOR RESERVOIR CONSISTS OF:	1	
1	-	O ' RING FILTER ELEMMENT TOP	1	
3	-	FILLER COVER SEAL RING	1	
5	-	TOP COVER SEAL RING	1	
6	-	CAP SEAL	1	
7	-	BAFFLE CAP SEAL	1	
8	-	PLUG FOR UPPER FILTER	1	
13	-	SEAL OIL FILTER BOTTOM	1	
15	-	FILTER ELEMENT ASSEMBLY	1	

CHASSIS TYPE: 412052



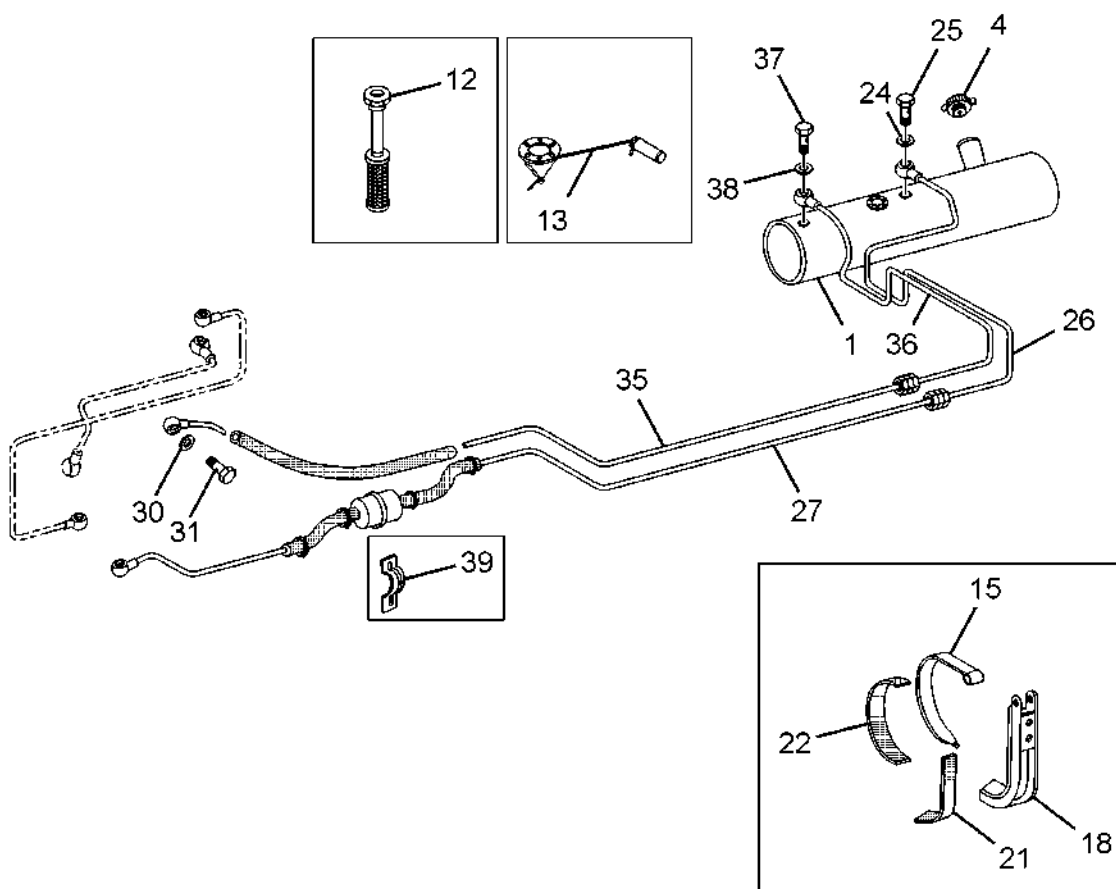
47.47.01A		FUEL SYSTEM		GROUP 47	
CHASSIS TYPE: 412052					
FIG. NO.	PART NUMBER	DESCRIPTION	QTY	REMARKS	
1	275147100103	ASSY. FUEL TANK COMPLETE (160 LIT.)	1		
4	0424700605J	ASSY. FUEL TANK CAP	1		
12	275147100106	ASSY. SUCTION TUBE	1		
13	257354200150	TANK UNIT	1		
15	0124700440J	ASSY. STRAP	2		
18	257347500105	ASSY. SUPPORT COMPLETE	2		
21	257447507702	RUBBER PACKING	2		
22	257447507704	RUBBER PACKING	2		
24	16220510283	SEALING WASHER 18X22 (AT SUCTION PORT)	2		
25	206847107202	BANJO BOLT (AT SUCTION PORT)	1		
26,27	208547100137	ASSY TUBE WITH CRIMPED R/HOSE (SUCTION PORT TO PRE-FILTER)	1		
30	16220510216	SEALING WASHER 14X18 AL	2		
31	275147600103	ASSY.PIPE UNION BOLT	1		
35,36	208547100138	ASSY TUBE WITH CRIMPED R/HOSE (OVERFLOW LINE R/HOSE TO RETURN PORT)	1		
37	275147600103	ASSY. PIPE UNION BOLT	1		
38	16220510216	SEALING WASHER 14X18 AL	2		
39	206042804213	CLAMP	4		

CHASSIS TYPE: 412073; 412081; 412073; 412074; 412080



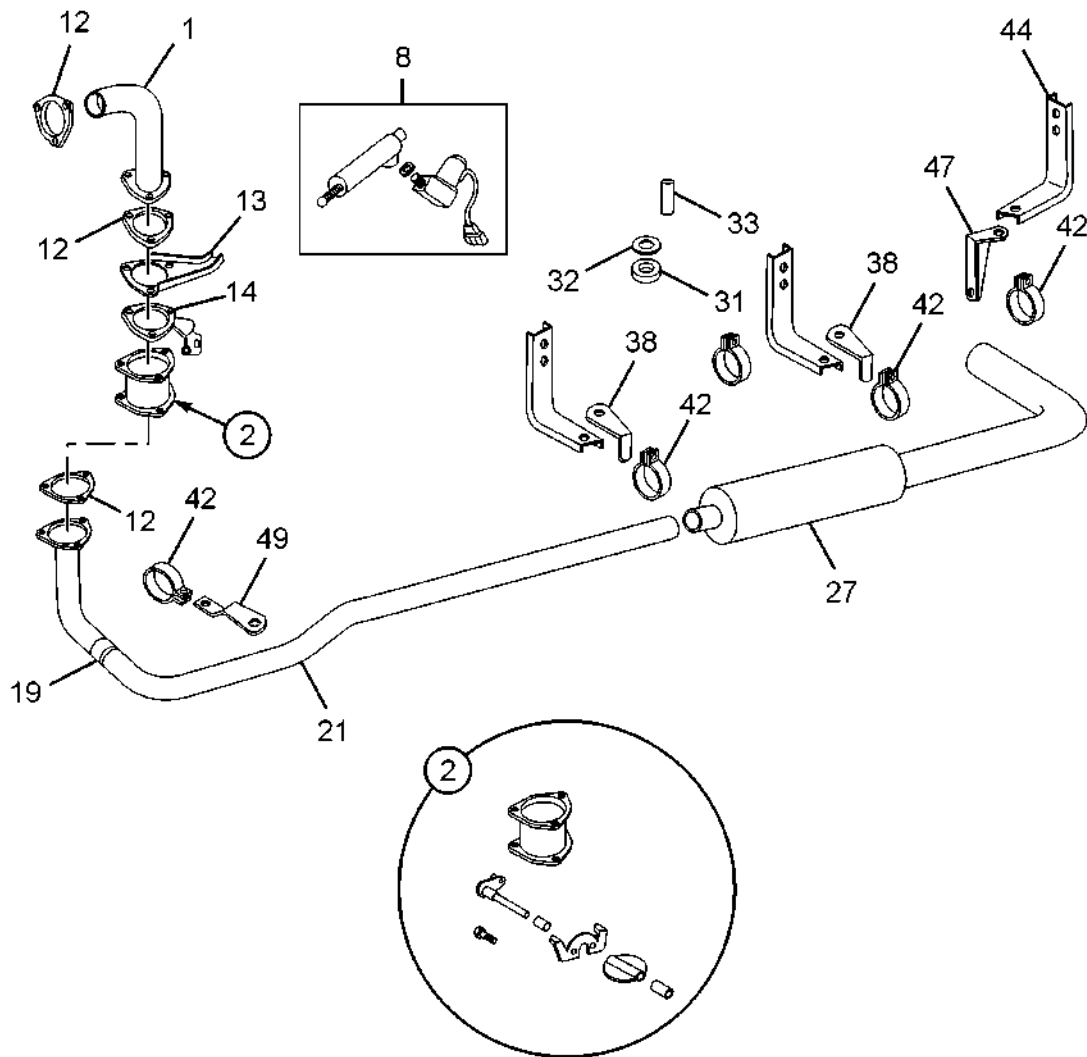
47.47.01B		FUEL SYSTEM		GROUP 47
CHASSIS TYPE: 412073; 412081; 412073; 412074; 412080				
FIG. NO.	PART NUMBER	DESCRIPTION	QTY	REMARKS
1	257547100117	ASSY. FUEL TANK COMPLETE (250 LIT.)	1	
4	0424700605J	ASSY. FUEL TANK CAP	1	
12	257347100108	ASSY. SUCTION TUBE	1	
13	257354200150	TANK UNIT	1	
15	0124700440J	ASSY. STRAP	3	
	257347500125	ASSY BRACKET WITH SUPPORT	3	
18	257347500105	ASSY. SUPPORT COMPLETE	6	
21	257447507702	RUBBER PACKING	3	
22	257447507704	RUBBER PACKING	3	
24	16220510283	SEALING WASHER 18X22 (AT SUCTION PORT)	2	
25	206847107202	BANJO BOLT (AT SUCTION PORT)	1	
26,27	207447600111	ASSY TUBE WITH CRIMPED R/HOSE (SUCTION PORT TO PRE-FILTER)	1	
30	16220510216	SEALING WASHER 14X18 AL	2	
31	275147600103	ASSY.PIPE UNION BOLT	1	
35,36	209647600153	ASSY TUBE WITH CRIMPED R/HOSE (OVERFLOW LINE R/HOSE TO RETURN PORT)	1	
37	275147600103	ASSY. PIPE UNION BOLT	1	
38	16220510216	SEALING WASHER 14X18 AL	2	
39	206042804213	CLAMP	4	

CHASSIS TYPE: 412091; 412271; 412076



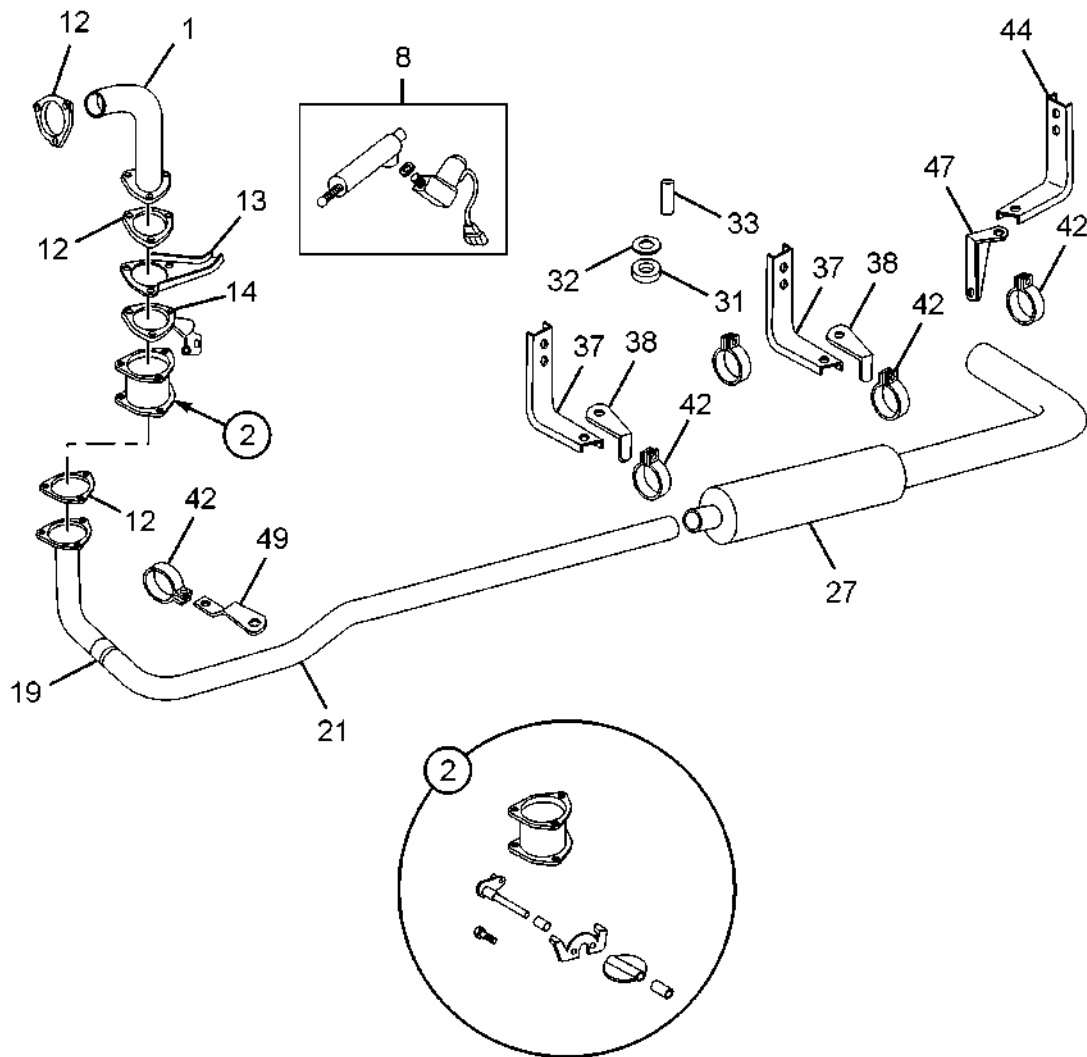
47.47.01C		FUEL SYSTEM		GROUP 47
CHASSIS TYPE: 412091; 412271; 412076				
FIG. NO.	PART NUMBER	DESCRIPTION	QTY	REMARKS
1	275147100101	ASSY. FUEL TANK COMPLETE (250 LIT.)	1	
4	0424700605J	ASSY. FUEL TANK CAP	1	
12	275147100106	ASSY. SUCTION TUBE	1	
13	257354200150	TANK UNIT	1	
15	0124700440J	ASSY. STRAP	3	
18	257347500105	ASSY. SUPPORT COMPLETE	3	
21	257447507702	RUBBER PACKING	3	
22	257447507704	RUBBER PACKING	3	
24	16220510283	SEALING WASHER 18X22 (AT SUCTION PORT)	2	
25	206847107202	BANJO BOLT (AT SUCTION PORT)	1	
26	207347600108	ASSY.TUBE (SUCTION PORT TO INT.JOINT)	1	
27	207347600109	ASSY TUBE WITH CRIMPED R/HOSE (INTERMEDIATE JOINT TO PRE-FILTER)	1	
30	16220510216	SEALING WASHER 14X18 AL	2	
31	275147600103	ASSY.PIPE UNION BOLT	1	
35	207347600104	ASSY.TUBE 15 O.D. X 2060 LG (OVERFLOW LINE R/HOSE TO INT.JOINT)	1	
36	207347600122	ASSY TUBE WITH CRIMPED R/HOSE (INTERMEDIATE JOINT TO RETURN PORT)	1	
37	275147600103	ASSY. PIPE UNION BOLT	1	
38	16220510216	SEALING WASHER 14X18 AL	2	
39	207847604201	CLAMP (10X15)	6	

CHASSIS TYPE: 412052



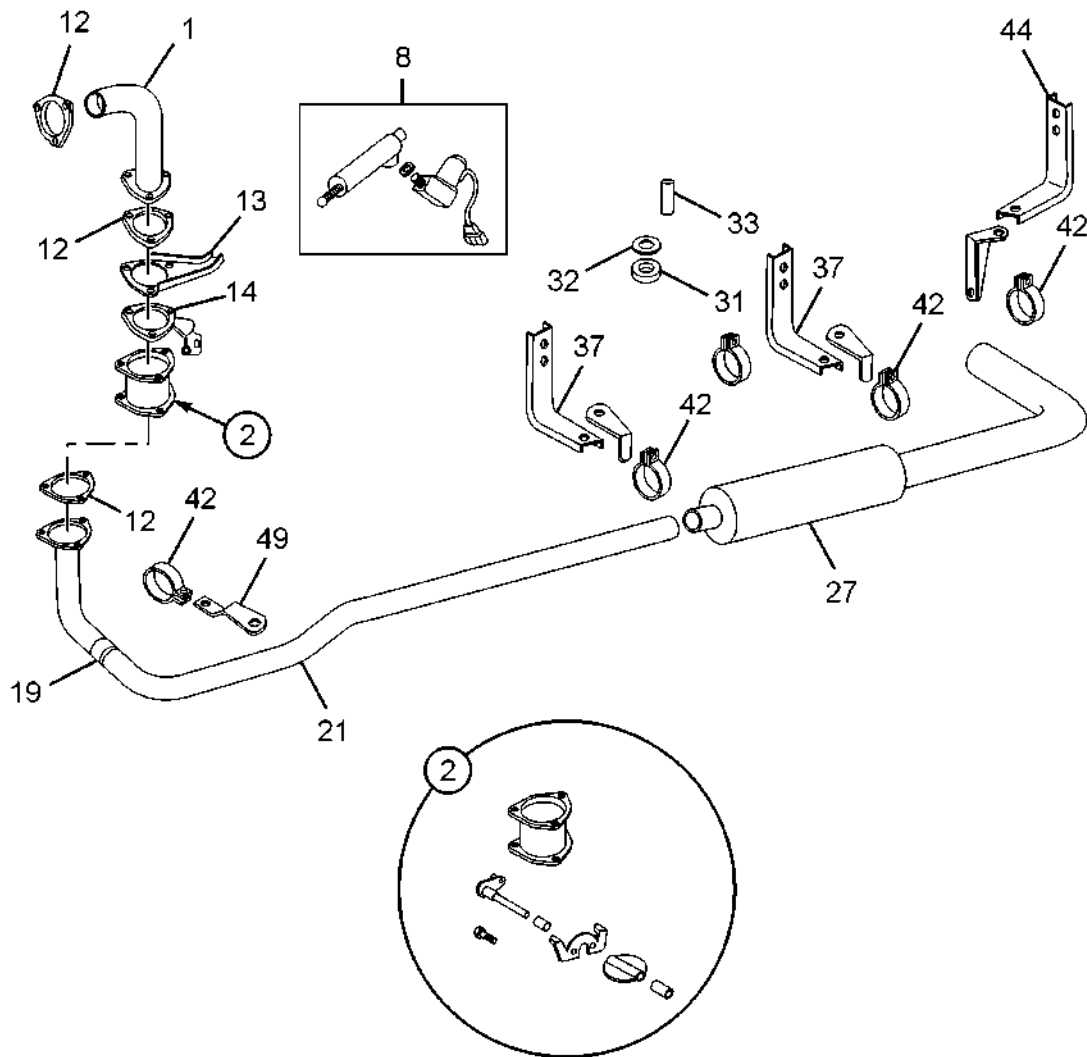
49.49.01A		EXHAUST SYSTEM		GROUP 49
CHASSIS TYPE: 412052				
FIG. NO.	PART NUMBER	DESCRIPTION	QTY	REMARKS
1	276349200115	ASSY.EXHAUST PIPE	1	
2	276349200123	ASSY. EXHAUST BRAKE UNIT	1	
8	264154209937	ASSY.MAGNETIC VALVE WITH DIN TER.& HSG.	1	
	275449206701	PIN (AIR CYL TO BRACKET)	1	
12	257649205302	GASKET	2	
13	276349200128	ASSY.BRACKET.	1	
14	276349203309	BRACKET (ON ENGINE)	1	
19	207449100113	ASSY SECOND EXHAUST PIPE	1	
21	207449100111	ASSY EXHAUST PIPE 81.2 OD X 1.6 THK	1	
27	207449100116	ASSY SILENCER WITH TAIL PIPE	1	
31	257649007502	RUBBER BUFFER	8	
32	257649009202	WASHER	9	
33	257649006902	TUBE	4	
42	257649208205	PIPE CLAMP	3	
38	264049208231	BRACKET (AT TAIL PIPE)	1	
	278349208203	CLAMP	1	
	275449208206	BRACKET	1	
44	275449200116	ASSY BRACKET	1	
47	264049208228	BRACKET	1	
	276349204202	PIPE CLAMP	1	
	263249000105	ASSY BRACKET (AT TAIL PIPE)	1	
49	276349207104	BRACKET	1	
	275449208207	BRACKET (AT TAIL PIPE)	1	

CHASSIS TYPE: 412073; 412073; 412074



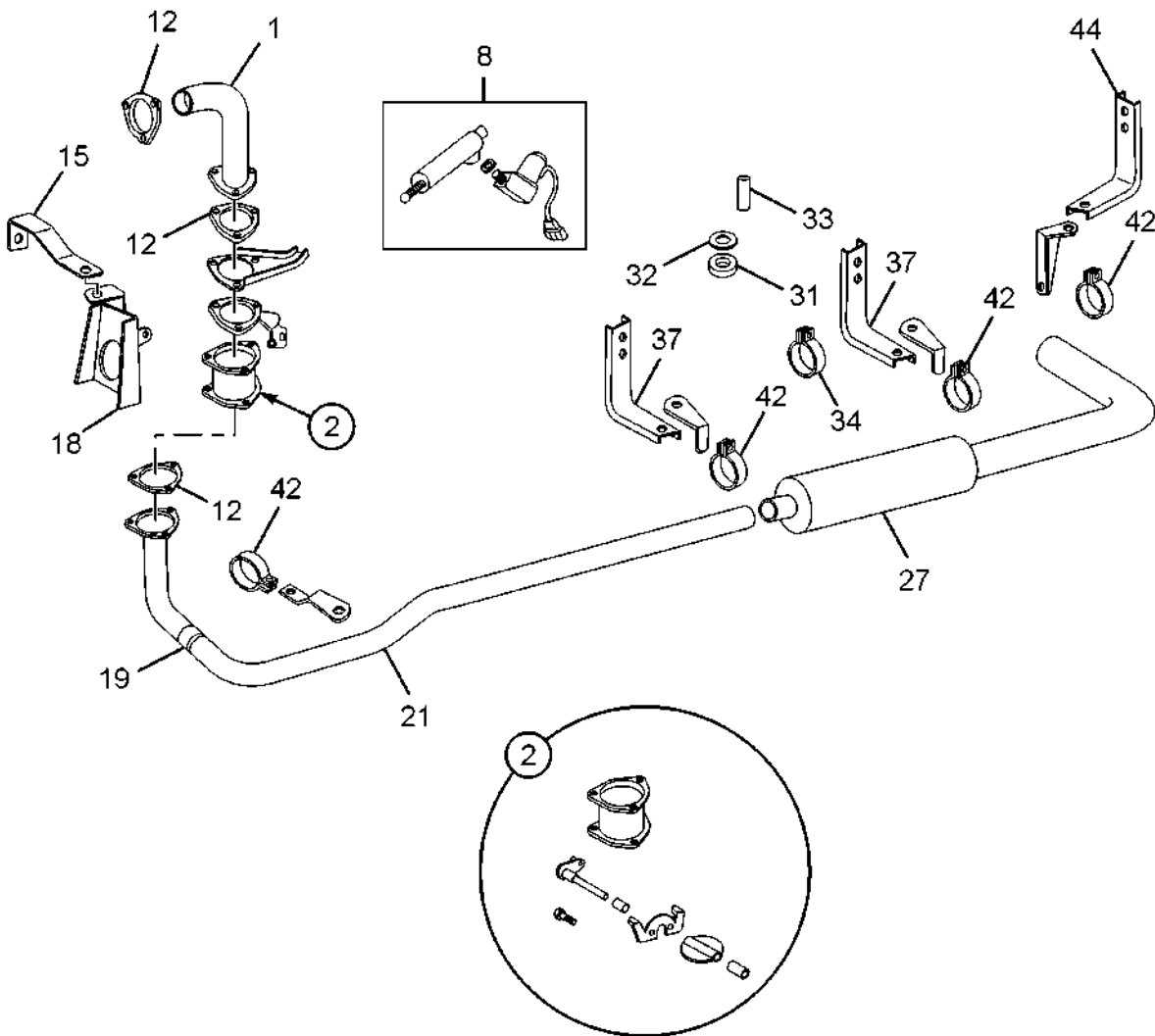
49.49.01B		EXHAUST SYSTEM		GROUP 49
CHASSIS TYPE: 412073; 412073; 412074				
FIG. NO.	PART NUMBER	DESCRIPTION	QTY	REMARKS
1	276349200115	ASSY.EXHAUST PIPE	1	
2	276349200123	ASSY. EXHAUST BRAKE UNIT	1	
8	264154209937	ASSY.MAGNETIC VALVE WITH DIN TER.& HSG.	1	
	275449206701	PIN (AIR CYL TO BRACKET)	1	
12	257649205302	GASKET	2	
13	276349200128	ASSY.BRACKET.	1	
14	276349203309	BRACKET (ON ENGINE)	1	
19	207449100113	ASSY SECOND EXHAUST PIPE	1	
21	277049100124	ASSY. EXHAUST PIPE	1	
27	277049100122	ASSY SILENCER WITH TAIL PIPE	1	
31	257649007502	RUBBER BUFFER	8	
32	257649009202	WASHER	9	
33	257649006902	TUBE	4	
42	257649208205	PIPE CLAMP	4	
37	257649008203	BRACKET	3	
38	264149203301	BRACKET	2	
44	257649000115	ASSY BRACKET	1	
47	275449203306	BRACKET	1	
49	276349207104	BRACKET	1	

CHASSIS TYPE: 412081; 412080



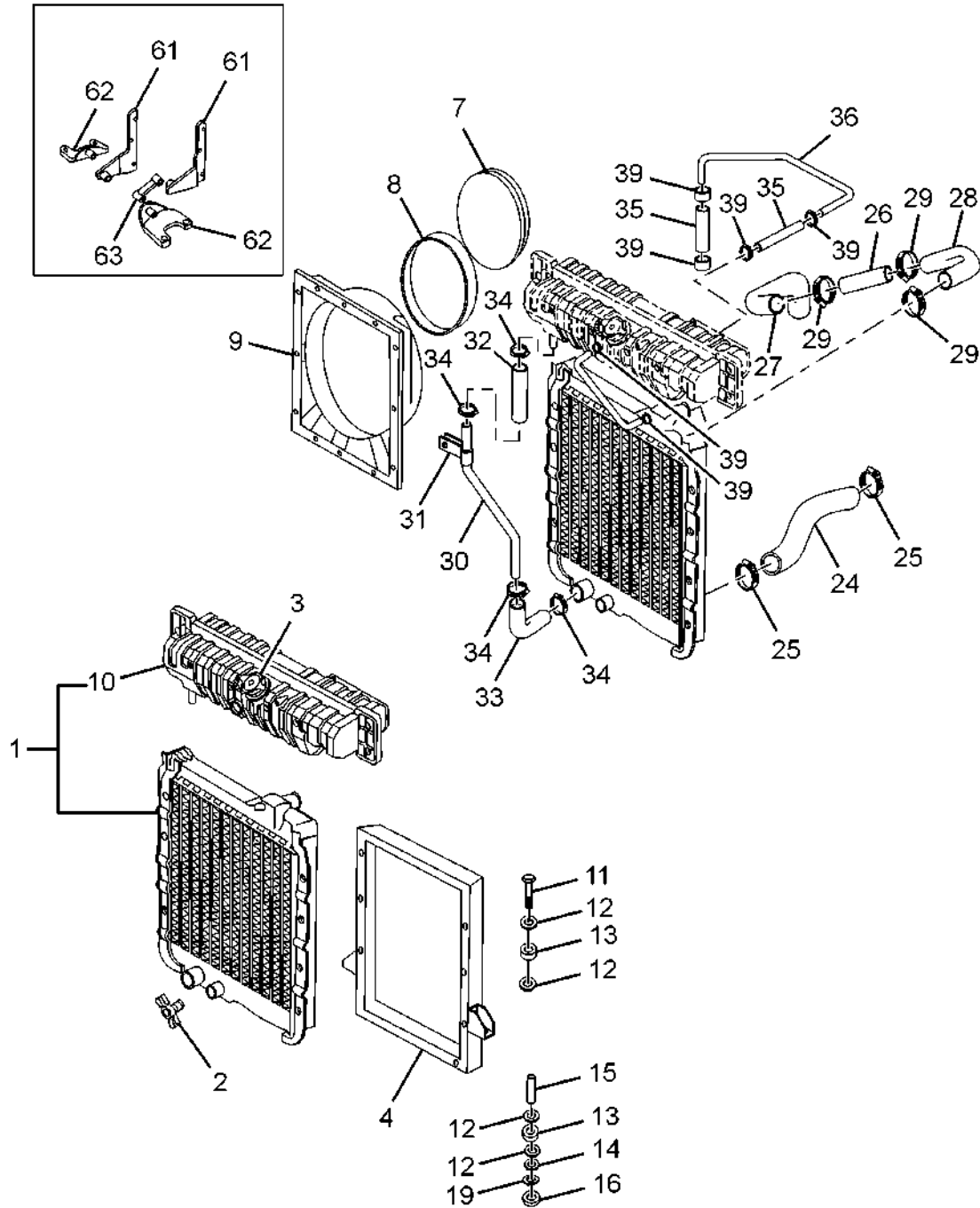
49.49.01C		EXHAUST SYSTEM		GROUP 49
CHASSIS TYPE: 412081; 412080				
FIG. NO.	PART NUMBER	DESCRIPTION	QTY	REMARKS
1	276349200115	ASSY.EXHAUST PIPE	1	
2	276349200123	ASSY. EXHAUST BRAKE UNIT	1	
8	264154209937	ASSY.MAGNETIC VALVE WITH DIN TER.& HSG.	1	
	275449206701	PIN (AIR CYL TO BRACKET)	1	
12	257649205302	GASKET	2	
13	276349200128	ASSY.BRACKET.	1	
14	276349203309	BRACKET (ON ENGINE)	1	
19	207449100113	ASSY SECOND EXHAUST PIPE	1	
21	277049100121	ASSY. EXHAUST PIPE	1	
27	277049100122	ASSY SILENCER WITH TAIL PIPE	1	
31	257649007502	RUBBER BUFFER	10	
32	257649009202	WASHER	15	
33	257649006902	TUBE	5	
42	257649208205	PIPE CLAMP	4	
37	257649008203	BRACKET	3	
	277049208201	CLAMP	2	
44	257649000115	ASSY BRACKET	1	
	275249204201	PIPE CLAMP.(AT JOINING OF TWO PIPES)	2	
49	263249208215	BRACKET AT ENGINE CROSS MEMBER	1	
	275449208207	BRACKET (AT TAIL PIPE)	1	

CHASSIS TYPE: 412091; 412271; 412076



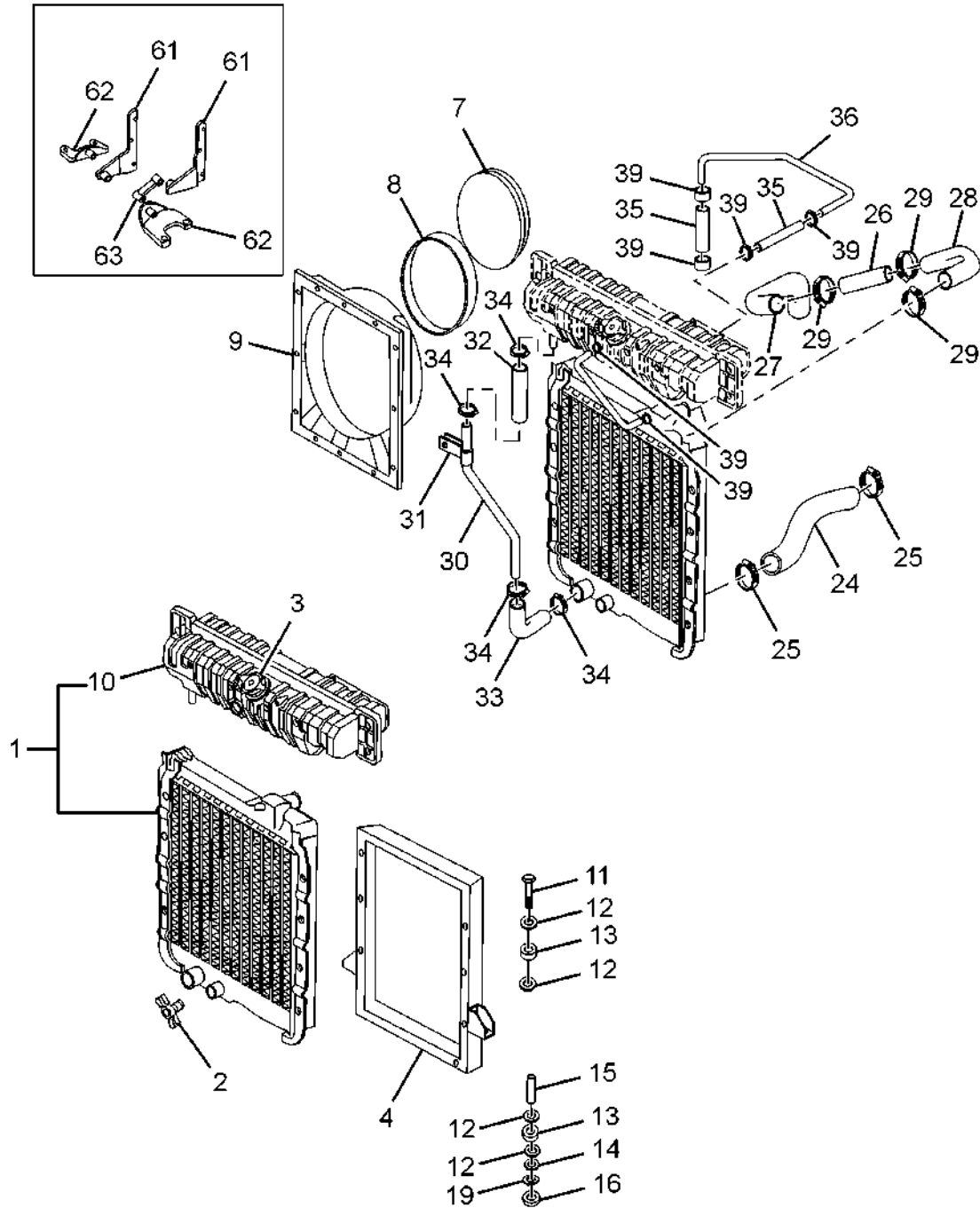
49.49.01D		EXHAUST SYSTEM		GROUP 49
CHASSIS TYPE: 412091; 412271; 412076				
FIG. NO.	PART NUMBER	DESCRIPTION	QTY	REMARKS
1	275049200120	ASSY. EXHAUST PIPE	1	
2	276349200123	ASSY. EXHAUST BRAKE UNIT	1	
8	209154200101	ASSY. EXHAUST BRAKE CYLINDER WITH MAGNETIC VALVE	1	
	275449206701	PIN (AIR CYL TO BRACKET)	1	
12	257649205302	GASKET	2	
12	276349205301	GASKET	3	
15	275049203304	SUPPORT BRACKET (ON ENGINE)	1	
18	275049200126	ASSY. BRACKET.	1	
19,21	275049200123	ASSY. EXHAUST PIPE	1	
27	216949100101	ASSY. SILENCER WITH TAIL PIPE	1	
31	257649007502	RUBBER BUFFER	6	
32	257649009202	WASHER	6	
33	257649006902	TUBE	3	
34	257649008209	CLAMP	2	
42	257649208205	PIPE CLAMP	2	
37	257649008203	BRACKET	3	
44	257649000115	ASSY BRACKET	1	
	276349204202	PIPE CLAMP	1	
	275049108209	SUPPORT BRACKET	1	

CHASSIS TYPE: 412073; 412081; 412073; 412052; 412074; 412080



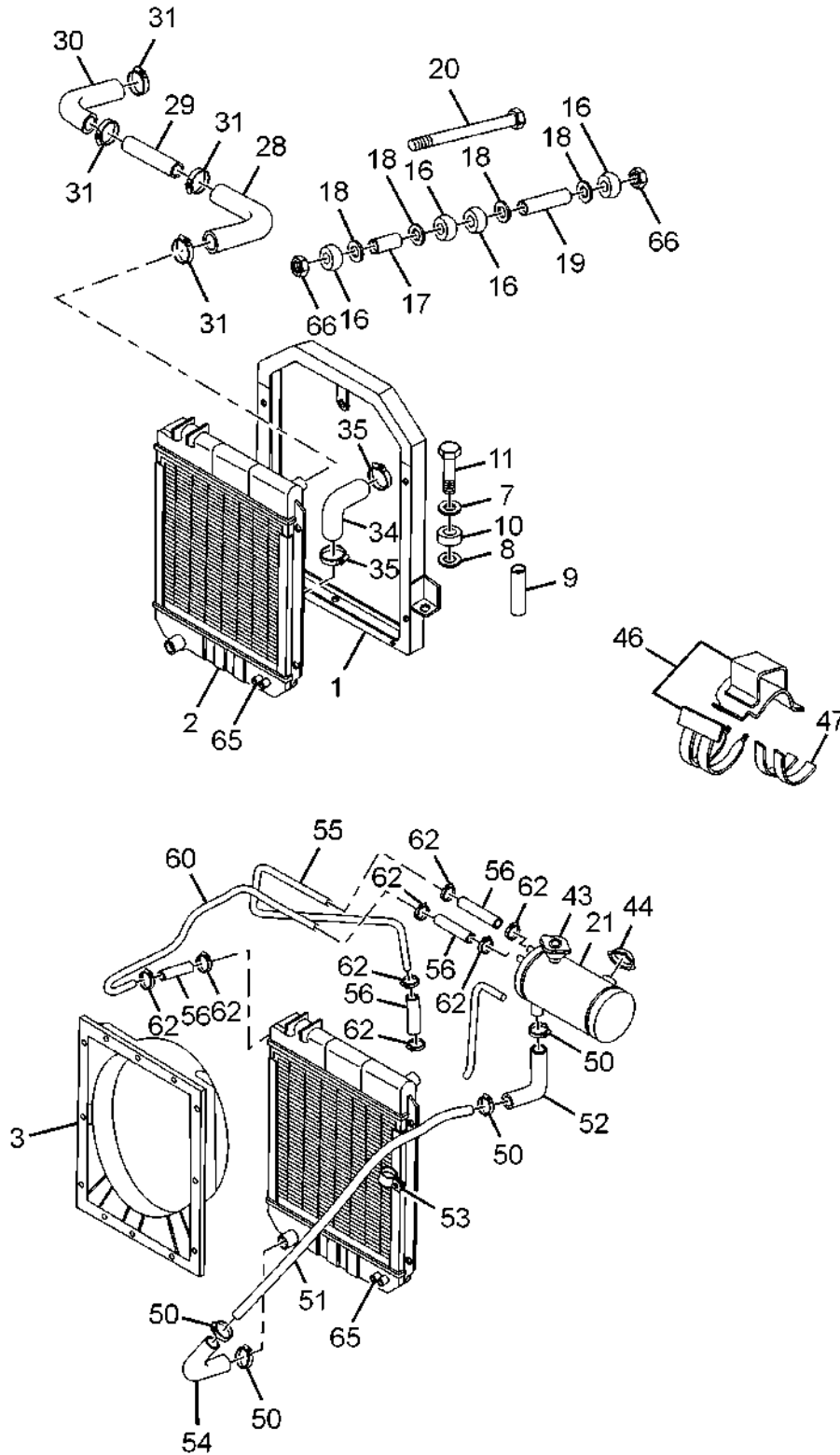
50.50.01		RADIATOR (LP)		GROUP 50	
CHASSIS TYPE: 412073; 412081; 412073; 412052; 412074; 412080					
FIG. NO.	PART NUMBER	DESCRIPTION	QTY	REMARKS	
1	278650100375	ASSY.RADIATOR COMPLETE	1		
	278650100280	TOP TANK COMPLETE.	1		
	278650100281	BOTTOM TANK COMPLETE.	1		
	278650109906	TANK PACKING.	2		
2	278650109908	DRAIN COCK.	1		
3	278650109909	PRESSURE CAP.	1		
4	278650000225	ASSY.RADIATOR FRAME.	1		
7	278650504201	HOSE CLAMP(560 ID)	1		
8	278650507723	RUBBER RING(BETWEEN SHROUD & FAN RING)	1		
9	278650506317	FAN SHROUD	1		
10	252550100286	RESERVE TANK ASSY. COMPLETE	1		
11	11063896481	HEX BOLT M 16X110	2		
	278650108301	SHIM (1 THICK)	AR	FOR SELECTION	
	278650108302	SHIM (2 THICK)	AR	FOR SELECTION	
	278650108303	SHIM (5 THICK)	AR	FOR SELECTION	
12	257450009202	WASHER (47 DIA)	4		
13	257450006301	RUBBER BUFFER	6		
15	278550406901	TUBE -RAD.MTG. (59 LG)	2		
14	12460501707	BRIGHT WASHER 17	2		
19	12520696031	SPRING WASHER B 16	2		
16	12051596020	HEX. NUT M 16	2		
	3275045082	RUBBER BUFFER	4		
	257450006906	SPACER TUBE (25.5 MM LONG)	2		
24	278650105851	HOSE (RADIATOR TO WATER PUMP)	1		
25	14280598217	HOSE CLAMP TB-54	2		
26	278650106951	PIPE (ENGINE OUTLET TO RADIATOR INLET)	1		
27	278650105840	HOSE (FROM ENGINE OUTLET)	1		
28	278650105835	HOSE (TO RADIATOR INLET)	1		
29	14280599302	HOSE CLAMP TB 36	4		
30	278650106987	WATER FILL PIPE	1		
31	278650114217	CLAMP (FOR WATER FILL PIPE)	1		
	278650103309	BRACKET (WATER FILL PIPE CLAMPING)	1		
32	278650115806	HOSE(TRANSLUCENT TANK TO FILL PIPE)	1		
33	278650105869	HOSE (RAD BOTTOM TANK TO FILL PIPE)	1		
34	14280500357	HOSE CLAMP 35	4		
35	278650105845	HOSE (6 ID X 55 LONG)	2		

CHASSIS TYPE: 412073; 412081; 412073; 412052; 412074; 412080



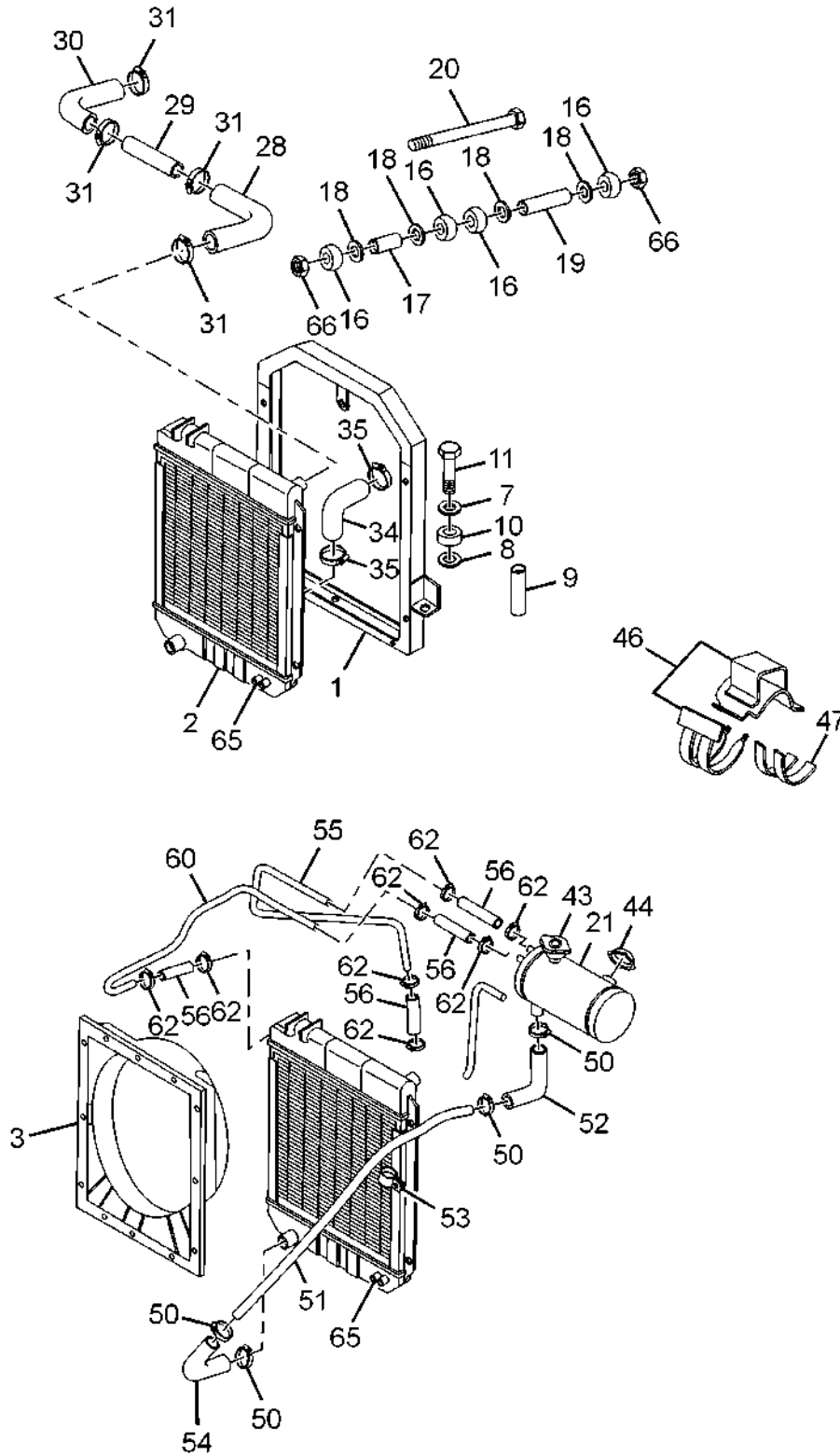
50.50.01		RADIATOR (LP)		GROUP 50	
CHASSIS TYPE: 412073; 412081; 412073; 412052; 412074; 412080					
FIG. NO.	PART NUMBER	DESCRIPTION	QTY	REMARKS	
36	278650106968	VENT TUBE	1		
39	14280500161	HOSE CLAMP 16	4		
61	278650000262	ASSY.BRACKET-LH	1		
61	278650000261	ASSY.BRACKET-RH	1		
62	278650000264	ASSY.BRACKET ON L.M.(RAD FRAME SIDE MTG)	2		
63	278650000265	ASSY.RUBBER BUSH (208 LONG)	2		

CHASSIS TYPE: 412091; 412271; 412076



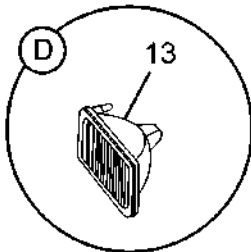
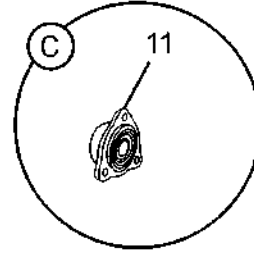
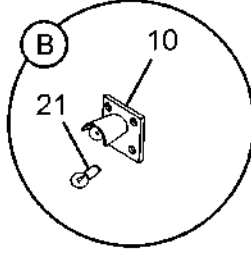
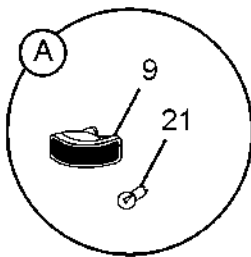
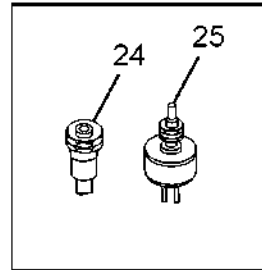
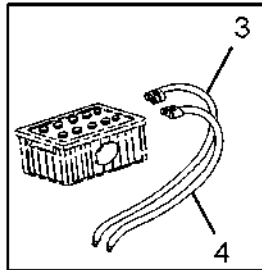
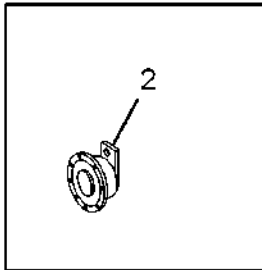
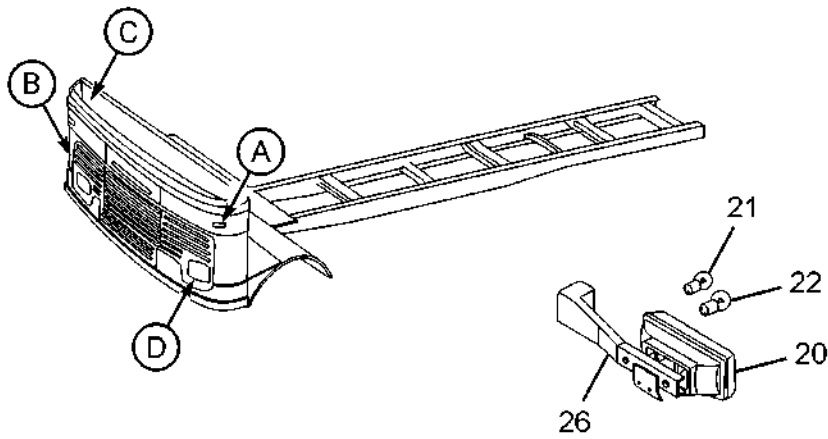
50.50.02		RADIATOR (LPO)		GROUP 50
CHASSIS TYPE: 412091; 412271; 412076				
FIG. NO.	PART NUMBER	DESCRIPTION	QTY	REMARKS
1	207650000116	ASSY.RADIATOR MOUNTING FRAME	1	
2	207650100152	ASSY.RADIATOR COMPLETE	1	
65	252350100137	ASSY.DRAIN VALVE	1	
3	278650506366	FAN SHROUD	1	
7	257450009202	WASHER 47 MM DIA	4	
8	278650108301	SHIM (1 THK)	AR	
8	278650108302	SHIM (2THK)	AR	
8	278650108303	SHIM (5THK)	AR	
9	278650406905	SPACER TUBE (63 MM LONG)	2	
10	257450006301	RUBBER BUFFER	6	
11	11063816681	HEX BOLT M 16X100	2	
	12460501707	BRIGHT WASHER 17	2	
	12520696031	SPRING WASHER B16	2	
	12051596020	HEX NUT M 16	2	
16	278614607501	RUBBER BUFFER	4	
17	257450006906	SPACER TUBE (25.5 MM LONG)	1	
18	278614609201	WASHER	4	
19	257350006901	SPACER TUBE (90 MM LONG)	1	
20	11063810748	HEX BOLT M 10X160	1	
66	12140501008	NYLOC NUT M 10 IS 7002	2	
28	207650105808	HOSE (ENGINE TO RADIATOR INLET)	1	
29	278650106951	PIPE (ENGINE OUTLET TO RADIATOR INLET)	1	
30	278650105844	HOSE (FROM ENGINE OUTLET)	1	
31	14280599302	HOSE CLAMP TB 36	4	
34	207650105847	HOSE (RADIATOR TO WATER PUMP)	1	
35	14280598217	HOSE CLAMP TB-54	2	
21	207650100116	ASSY. AUXILIARY WATER TANK	1	
43	254750100111	ASSY CAP	1	
44	252550100140	VACUUM AND PRESSURE CAP	1	
46	207650100119	ASSY. STRAP WITH SHACKLE COMPLETE	1	
47	207650109901	RUBBER STRAP	1	
50	14280500454	HOSE CLAMP 45	4	
51	207650106927	WATER FILLER PIPE	1	
52	207650105806	RUBBER HOSE	1	
53	278650104204	CLAMP	1	
54	207650105846	RUBBER HOSE	1	
55	207650106917	VENT TUBE(ENG.TO A.W.TANK)	1	
56	278650105845	HOSE (6 ID X 55 LONG)	1	
	14270201505	HOSE CLIP 15	4	

CHASSIS TYPE: 412091; 412271; 412076



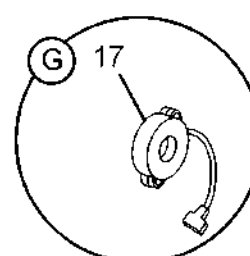
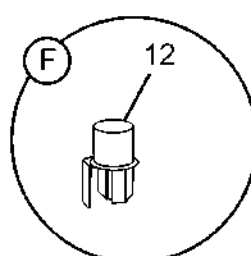
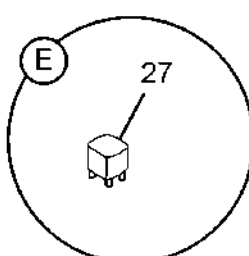
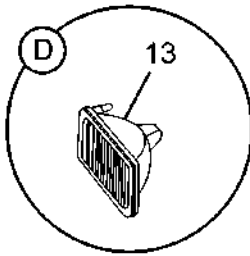
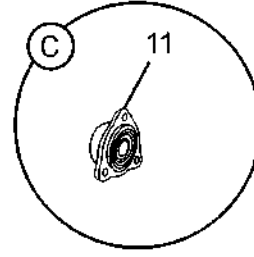
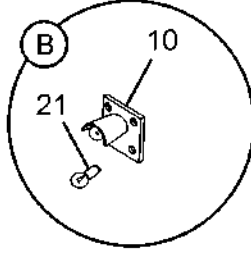
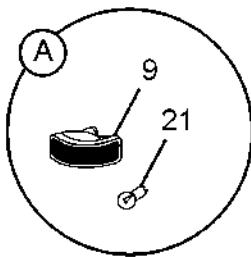
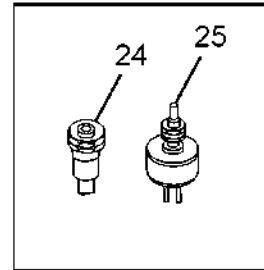
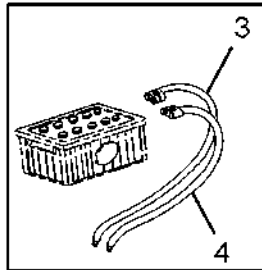
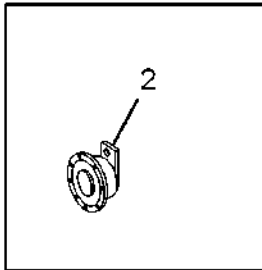
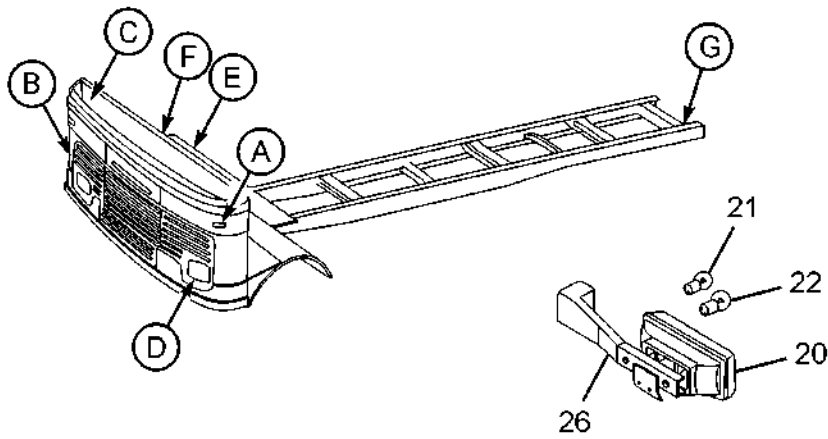
50.50.02		RADIATOR (LPO)		GROUP 50	
CHASSIS TYPE: 412091; 412271; 412076					
FIG. NO.	PART NUMBER	DESCRIPTION	QTY	REMARKS	
60	207650106918	VENT PIPE (RADIATOR TO AUX WATER TANK)	1		
	278650105845	HOSE (6 ID X 55 LONG)	1		
62	14280500161	HOSE CLAMP 16	4		
	207650105845	REDUCER HOSE(6X9-80 LG)	1		

CHASSIS TYPE: 412073; 412081; 412073; 412052; 412074; 412080



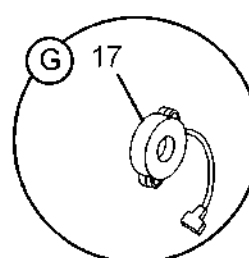
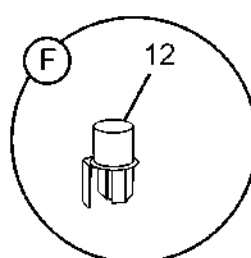
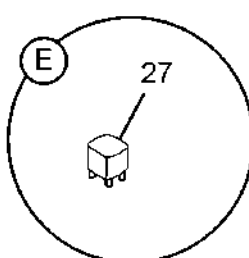
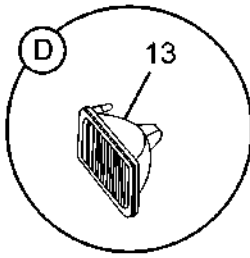
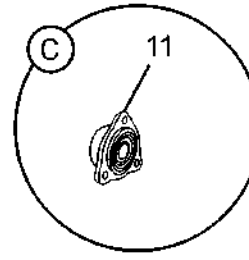
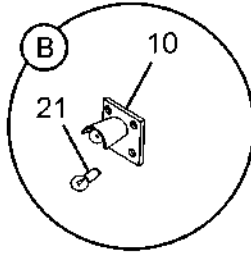
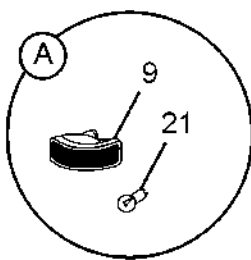
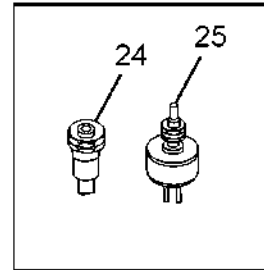
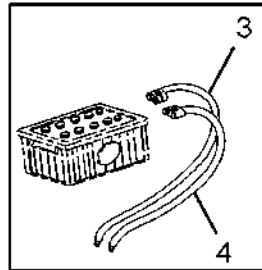
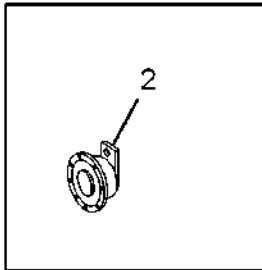
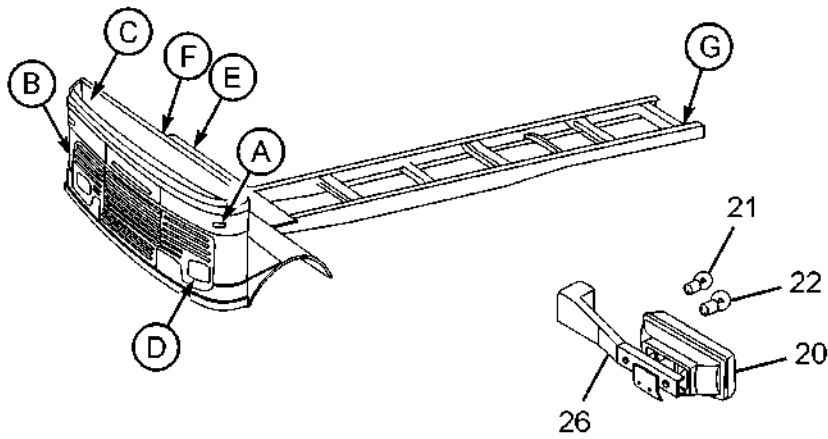
54.54.01A		LIGHT AND SIGNAL SYSTEM		GROUP 54
CHASSIS TYPE: 412073; 412081; 412073; 412052; 412074; 412080				
FIG. NO.	PART NUMBER	DESCRIPTION	QTY	REMARKS
2	261854249910	HORN (HIGH TONE) 24V	1	
2	261854249911	HORN (LOW TONE) 24V	1	
	277054200103	ASSY BRACKET (HORN MTG.)	1	
3	257354100134	ASSY. BATTERY CABLE (+VE) (24V)	1	
4	277054110101	ASSY. BATTERY CABLE (-VE) (24V)	1	
9	261854440145	ASSY BLINKER LAMP WITH BULB LH	1	
9	261854440146	ASSY BLINKER LAMP WITH BULB RH	1	
10	261854400168	ENGINE LAMP ASSY	1	
11	263154209906	BEEPER ALARM UNIT 24V	1	
	257354408201	BEEPER MOUNTING BRACKET	1	
13	261854440159	ASSY MOTORISED HEAD LAMP 24V COMPLETE LH	1	
13	261854440160	ASSY MOTORISED HEAD LAMP 24V COMPLETE RH	1	
	269854500111	HEAD LAMP LEVELLING SWITCH	1	
	62120601020	LAMP H4 24V75/70W (FOR MOTORISED H/LAMP)	2	
	62120601127	LAMP T4W 24V 4W (FOR MOTORISED H/LAMP)	2	
	265454609919	SLEEVE ADAPTER FOR HEAD LAMP	2	
20	261854440102	ASSY. TAIL LAMP WITH BULB RH 24V	1	
20	261854440101	ASSY. TAIL LAMP WITH BULB LH 24 V	1	
21	62120520046	LAMP 24V 21W (FOR TAIL LAMP, BLINKER, ENGINE LAMP)	10	
22	62120510105	LAMP 24V 10W (FOR TAIL LAMP)	2	
24	257454509985	LOW AIR PRESSURE SWITCH	1	
24	257454509956	LOW AIR PRESSURE SWITCH	1	
25	257454509953	MECH. STOP LIGHT SWITCH	2	
26	257354408203	BRACKET (TAIL LAMP)	2	
	265454500134	REVERSE LIGHT SWITCH	1	
	265454509913	LOW OIL PRESSURE SWITCH	1	
	275454309901	TEMPERATURE TRANSDUCER	1	
	260854504901	RELAY, STARTER SOLENOID SWITCH	1	
	264154200159	BASE (RELAYS & FUSES MTG.)	1	
	275454200101	ASSY BRACKET [FOR ST.RELAY]	1	

CHASSIS TYPE: 412076



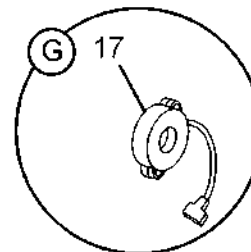
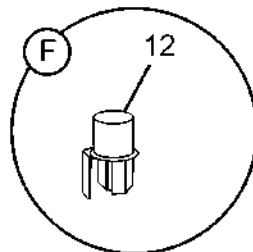
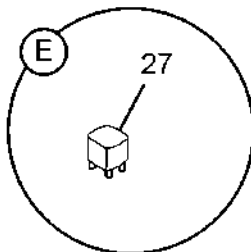
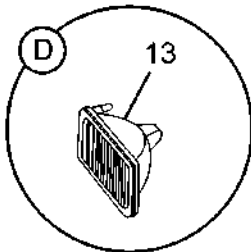
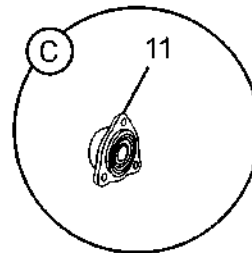
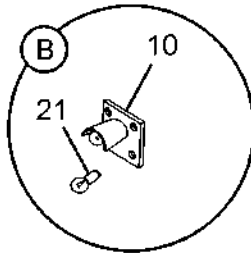
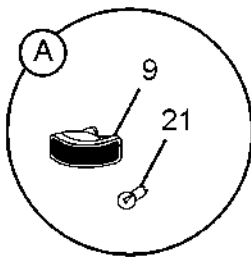
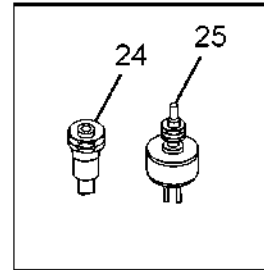
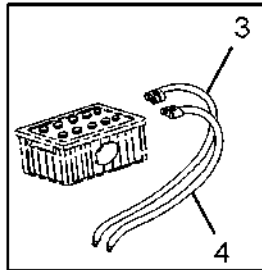
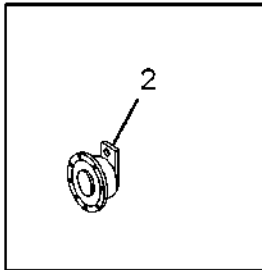
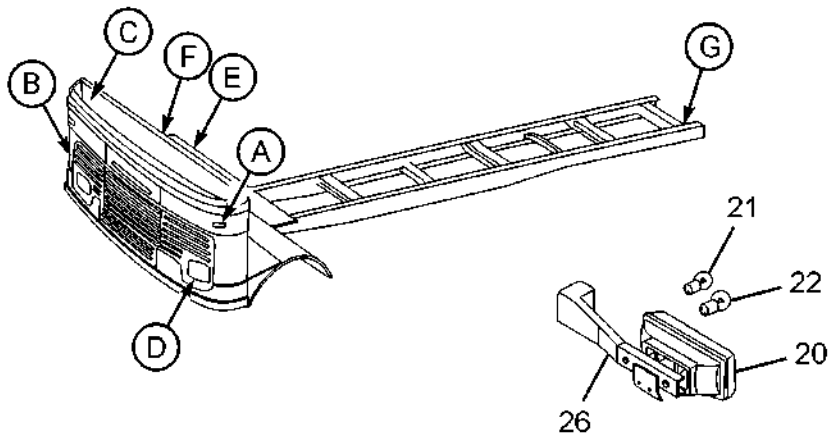
54.54.01B		LIGHT AND SIGNAL SYSTEM		GROUP 54
CHASSIS TYPE: 412076				
FIG. NO.	PART NUMBER	DESCRIPTION	QTY	REMARKS
2	257354249910	HORN (24V)	1	
	207354200103	ASSY.BRACKET (HORN MTG.)	1	
3	257354100134	ASSY. BATTERY CABLE (+VE) (24V)	1	
4	207354110101	ASSY. BATTERY CABLE (-VE) (24V)	1	
9	261854440145	ASSY BLINKER LAMP WITH BULB LH	1	
9	261854440146	ASSY BLINKER LAMP WITH BULB RH	1	
10	257654400121	ENGINE LAMP ASSY	1	
11	263154209906	BEEPER ALARM UNIT 24V	1	
	257354408201	BEEPER MOUNTING BRACKET	1	
12	261854544605	FLASHER (24V)	1	
13	215754400116	ASSY. HEAD LAMP (HALOGEN) WITH BULB 24V LH	1	
13	215754400117	ASSY. HEAD LAMP (HALOGEN) WITH BULB 24V RH	1	
	62120100209	HALOGEN LAMP 24V 75/70 W (FOR HEAD LAMP)	2	
	62120510083	LAMP 24V 4W (FOR HEAD LAMP)	2	
	265454609919	SLEEVE ADAPTER FOR HEAD LAMP	2	
17	277054209906	HIGH TEMP. BUZZER UNIT (24V)	1	
20	261854440102	ASSY. TAIL LAMP WITH BULB RH 24V	1	
20	261854440101	ASSY. TAIL LAMP WITH BULB LH 24 V	1	
21	62120520046	LAMP 24V 21W (FOR TAIL LAMP, BLINKER, ENGINE LAMP)	10	
22	62120510105	LAMP 24V 10W (FOR TAIL LAMP)	2	
24	257454509985	LOW AIR PRESSURE SWITCH	3	
25	257654509909	STOP LIGHT SWITCH	2	
26	257354408203	BRACKET (TAIL LAMP)	2	
27	260854549902	RELAY 24V 40 A	6	
	265454500134	REVERSE LIGHT SWITCH	1	
	265454509913	LOW OIL PRESSURE SWITCH	1	
	275454309901	TEMPERATURE TRANSDUCER	1	
	260854504901	RELAY, STARTER SOLENOID SWITCH	1	
	265454204902	RELAY BASE	5	
	207854200109	ASSY.COVER-6 RELAYS,FLASHER-LPO	1	
	215754208201	BRACKET.-RELAY BASE MTG.	1	
	261854206301	COVER (RELAYS 5 NOS & FLASHER)	1	

CHASSIS TYPE: 412091; 412271



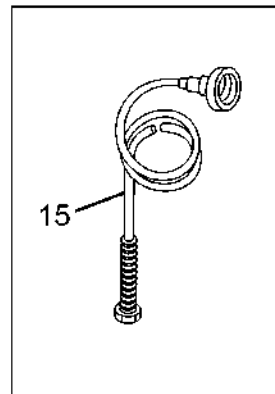
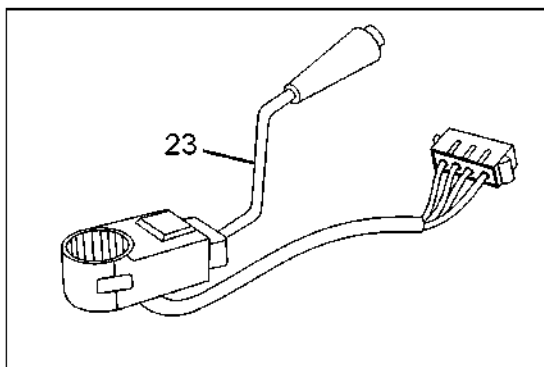
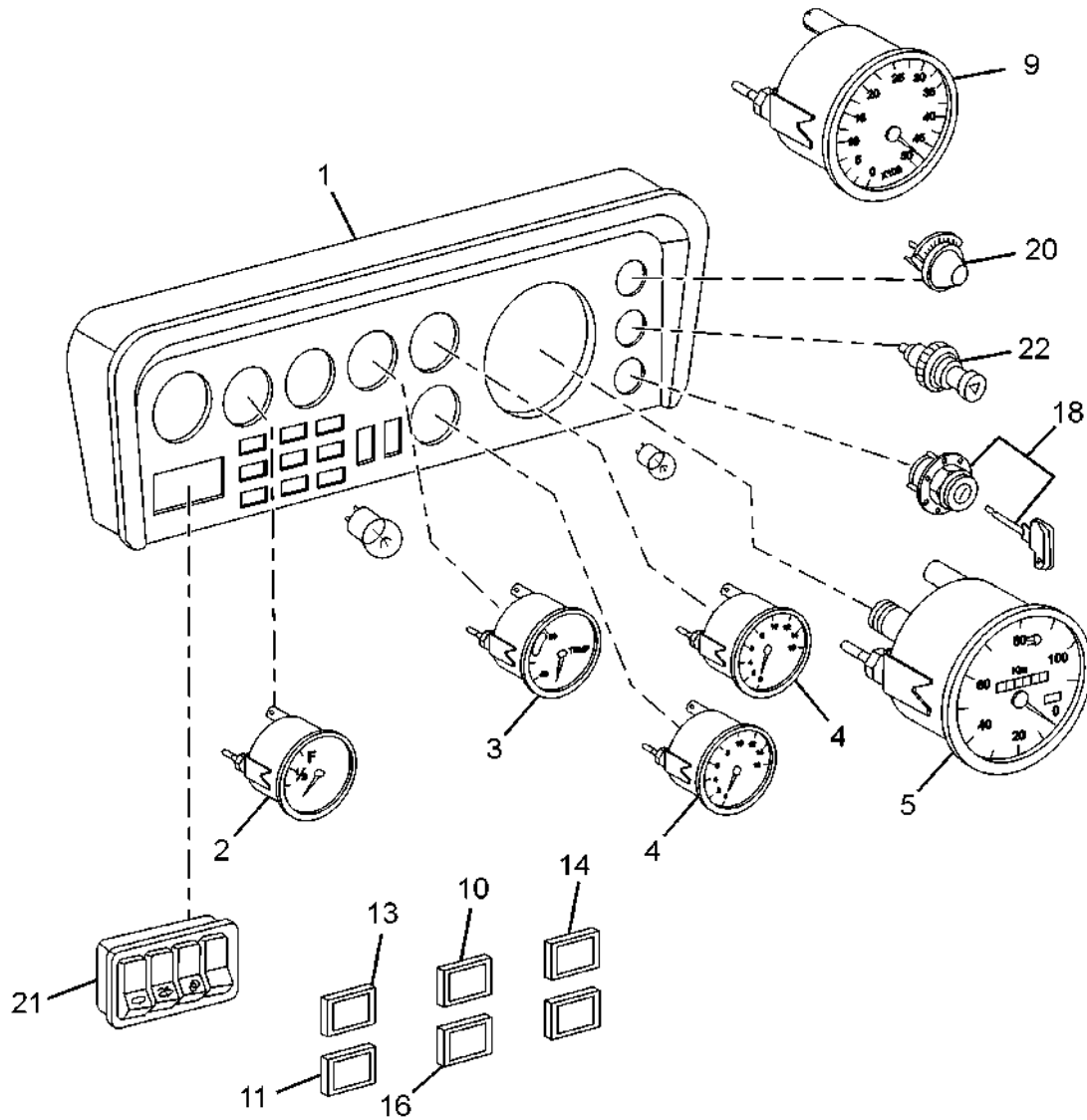
54.54.01C		LIGHT AND SIGNAL SYSTEM		GROUP 54
CHASSIS TYPE: 412091; 412271				
FIG. NO.	PART NUMBER	DESCRIPTION	QTY	REMARKS
2	257354249910	HORN (24V)	1	
	207354200103	ASSY.BRACKET (HORN MTG.)	1	
3	257354100134	ASSY. BATTERY CABLE (+VE) (24V)	1	
4	207354110101	ASSY. BATTERY CABLE (-VE) (24V)	1	
9	261854440145	ASSY BLINKER LAMP WITH BULB LH	1	
9	261854440146	ASSY BLINKER LAMP WITH BULB RH	1	
10	257654400121	ENGINE LAMP ASSY	1	
11	263154209906	BEEPER ALARM UNIT 24V	1	
	257354408201	BEEPER MOUNTING BRACKET	1	
12	261854544605	FLASHER (24V)	1	
13	261854440159	ASSY MOTORISED HEAD LAMP 24V COMPLETE LH	1	
13	215754400116	ASSY. HEAD LAMP (HALOGEN) WITH BULB 24V LH	1*	FOR CAR CARRIER
13	261854440160	ASSY MOTORISED HEAD LAMP 24V COMPLETE RH	1	
13	215754400117	ASSY. HEAD LAMP (HALOGEN) WITH BULB 24V RH	1*	FOR CAR CARRIER
	269854500111	HEAD LAMP LEVELLING SWITCH	1	
	62120601020	LAMP H4 24V75/70W (FOR MOTORISED H/LAMP)	2	
	62120601127	LAMP T4W 24V 4W (FOR MOTORISED H/LAMP)	2	
	62120100209	HALOGEN LAMP 24V 75/70 W (FOR HEAD LAMP)	2*	FOR CAR CARRIER
	62120510083	LAMP 24V 4W (FOR HEAD LAMP)	2*	FOR CAR CARRIER
	265454609919	SLEEVE ADAPTER FOR HEAD LAMP	2	
17	277054209906	HIGH TEMP. BUZZER UNIT (24V)	1	
20	261854440102	ASSY. TAIL LAMP WITH BULB RH 24V	1	
20	261854440101	ASSY. TAIL LAMP WITH BULB LH 24 V	1	
21	62120520046	LAMP 24V 21W (FOR TAIL LAMP, BLINKER, ENGINE LAMP)	10	
22	62120510105	LAMP 24V 10W (FOR TAIL LAMP)	2	
24	257454509985	LOW AIR PRESSURE SWITCH	3	
25	257654509909	STOP LIGHT SWITCH	2	
26	257354408203	BRACKET (TAIL LAMP)	2	
27	260854549902	RELAY 24V 40 A	6	
	265454500134	REVERSE LIGHT SWITCH	1	
	265454509913	LOW OIL PRESSURE SWITCH	1	
	275454309901	TEMPERATURE TRANSDUCER	1	
	260854504901	RELAY, STARTER SOLENOID SWITCH	1	

CHASSIS TYPE: 412091; 412271



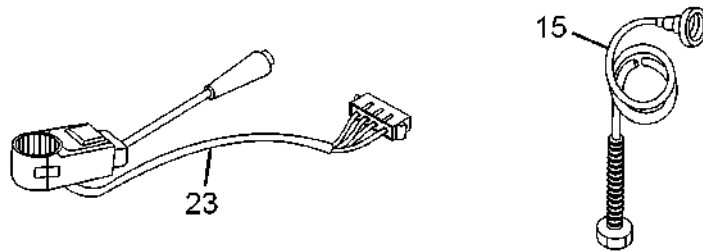
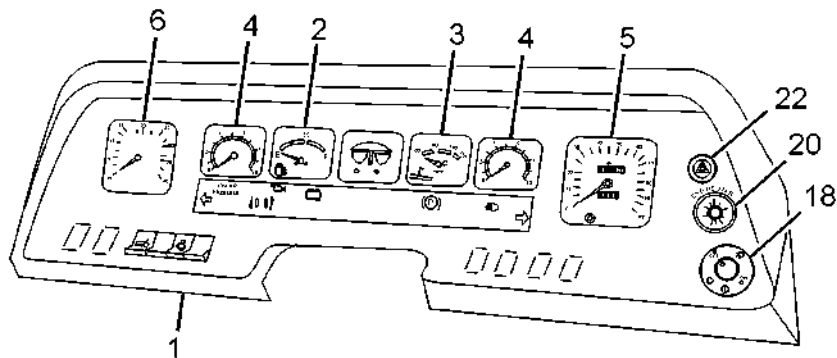
54.54.01C		LIGHT AND SIGNAL SYSTEM		GROUP 54	
CHASSIS TYPE: 412091; 412271					
FIG. NO.	PART NUMBER	DESCRIPTION	QTY	REMARKS	
	265454204902	RELAY BASE	5		
	207854200109	ASSY.COVER-6 RELAYS,FLASHER-LPO	1		
	215754208201	BRACKET.-RELAY BASE MTG.	1		
	261854206301	COVER (RELAYS 5 NOS & FLASHER)	1		

CHASSIS TYPE: 412091; 412271; 412076



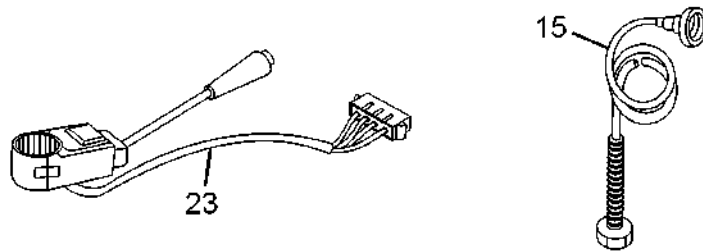
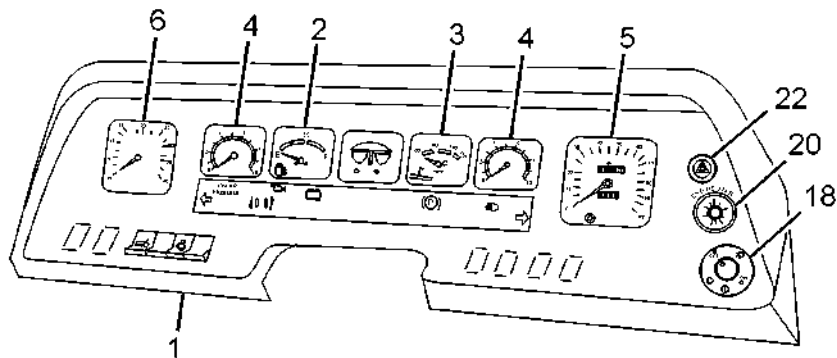
54.54.02		INSTRUMENT PANEL		GROUP 54	
CHASSIS TYPE: 412091; 412271; 412076					
FIG. NO.	PART NUMBER	DESCRIPTION	QTY	REMARKS	
1	259168900103	ASSY. INSTRUMENT PANEL	1		
2	263254249903	FUEL GAUGE 24V	1		
3	276354209901	ELECT. TEMP. GAUGE 24V	1		
4	263254209915	AIR PRESSURE GAUGE	2		
5	275154209907	SPEEDOMETER (1:0.8)	1		
9	277054209917	RPM METER 24V	1		
10	257354440139	ASSY. INDICATOR LAMP (LOW AIR PR.) 24V	1		
11	257354440137	ASSY. INDICATOR LAMP (BATTERY) 24V	1		
13	257354440138	ASSY. INDICATOR LAMP (HAND BRAKE) 24V	1		
14	277054440105	ASSY. INDICATOR LAMP (LOW OIL PR.) 24V	1		
16	257354440140	ASSY.INDICATOR LAMP (EXHAUST BRAKE ON)	1		
15	257454209998	SPEEDOCABLE (JIS) 3000 MM	1		
18	207354500101	ASSY. MAIN LINE SWITCH	1		
20	261854509901	STARTER PUSH BUTTON	1		
21	275454506906	PIANO KEY SWITCH	1		
22	261854540101	HAZARD WARNING SWITCH 24 V	1		
23	261854500101	ASSY. COMBI. SWITCH	1		
	62120510067	LAMP 24V 2W (FOR GAUGES)	10		
	277054200101	ASSY KIT WATER-IN-FUEL UNIT(IND) 24V	1		

CHASSIS TYPE: 412052



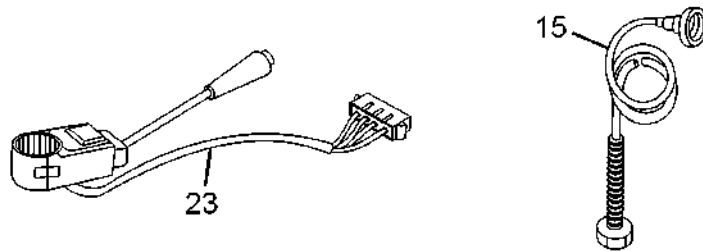
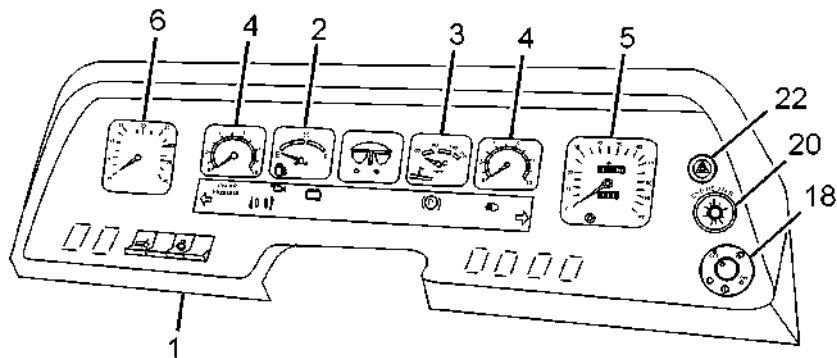
54.54.03A		INSTRUMENT CLUSTER		GROUP 54	
CHASSIS TYPE: 412052					
FIG. NO.	PART NUMBER	DESCRIPTION	QTY	REMARKS	
1	277054209921	INSTRUMENT CLUSTER (0.80)	1		
2	261854209925	FUEL GAUGE	1		
3	261854209927	TEMPERATURE GAUGE	1		
4	261854209928	AIR PRESSURE GAUGE	2		
5	261854209933	SPEEDOMETER (0.80)	1		
6	261854209936	RPM METER	1		
15	275454209904	SPEEDOCABLE (JIS) 3200 LG.	1		
18	207354500101	ASSY. MAIN LINE SWITCH	1		
20	261854509901	STARTER PUSH BUTTON	1		
22	261854540101	HAZARD WARNING SWITCH 24 V	1		
23	261854500101	ASSY. COMBI SWITCH	1		

CHASSIS TYPE: 412073; 412081; 412073; 412074; 412080



54.54.03B		INSTRUMENT CLUSTER		GROUP 54
CHASSIS TYPE: 412073; 412081; 412073; 412074; 412080				
FIG. NO.	PART NUMBER	DESCRIPTION	QTY	REMARKS
1	277054209930	INSTRUMENT CLUSTER (1: 0.80) BS-II	1	FOR PUNE
1	277054209921	INSTRUMENT CLUSTER (0.80)	1	
2	261854209925	FUEL GAUGE	1	
3	261854209927	TEMPERATURE GAUGE	1	
4	261854209928	AIR PRESSURE GAUGE	2	
5	261854209933	SPEEDOMETER (0.80)	1	
6	261854209936	RPM METER	1	
15	275454209904	SPEEDOCABLE (JIS) 3200 LG.	1	
18	207354500101	ASSY. MAIN LINE SWITCH	1	
20	261854509901	STARTER PUSH BUTTON	1	
22	261854540101	HAZARD WARNING SWITCH 24 V	1	
23	261854500101	ASSY. COMBI SWITCH	1	

CHASSIS TYPE: 412091; 412271; 412076



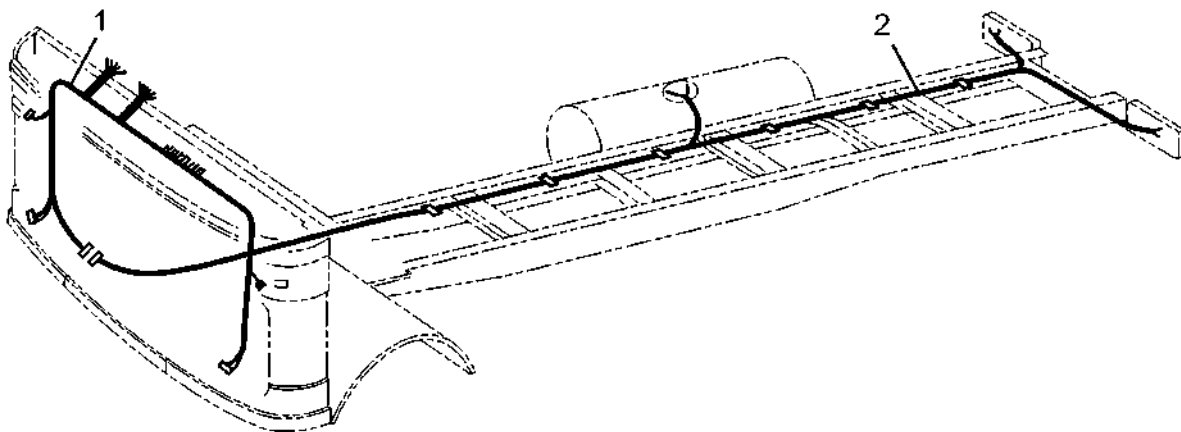
54.54.03C		INSTRUMENT CLUSTER		GROUP 54
CHASSIS TYPE: 412091; 412271; 412076				
FIG. NO.	PART NUMBER	DESCRIPTION	QTY	REMARKS
1	277054209921	INSTRUMENT CLUSTER (0.80)	1	
2	261854209925	FUEL GAUGE	1	
3	261854209927	TEMPERATURE GAUGE	1	
4	261854209928	AIR PRESSURE GAUGE	2	
5	261854209933	SPEEDOMETER (0.80)	1	
6	261854209936	RPM METER	1	
15	257454209998	SPEEDOCABLE (JIS) 3000 LG.	1	
18	207354500101	ASSY. MAIN LINE SWITCH	1	
20	261854509901	STARTER PUSH BUTTON	1	
22	261854540101	HAZARD WARNING SWITCH 24 V	1	
23	261854500101	ASSY. COMBI SWITCH	1	

54.54.04A

WIRING HARNESS

GROUP 54

CHASSIS TYPE: 412052



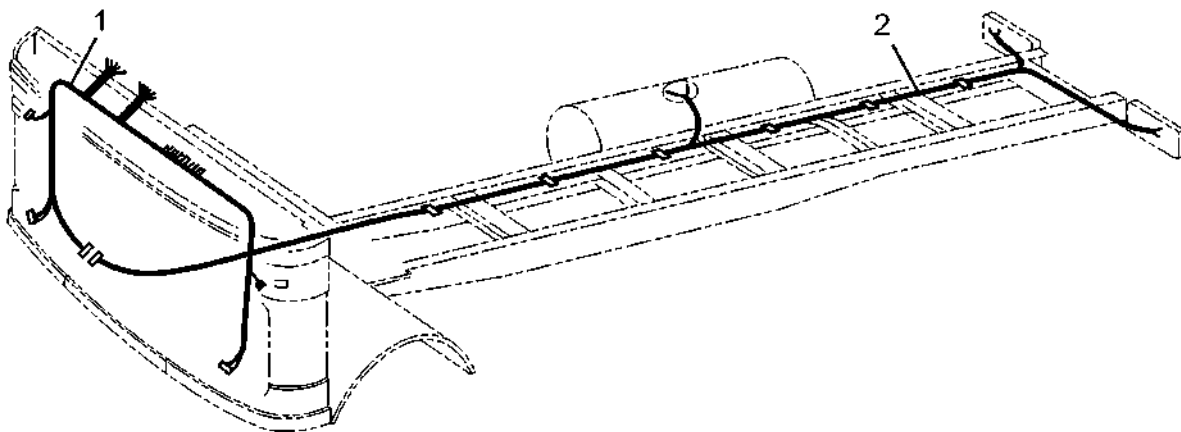
54.54.04A		WIRING HARNESS		GROUP 54
CHASSIS TYPE: 412052				
FIG. NO.	PART NUMBER	DESCRIPTION	QTY	REMARKS
1	277054600126	WIRING HARNESS MAIN (LP1512TC,BS-II,EXH.BRK.)	1	FOR JSR PRODN. VEHICLE
2	263254600127	WIRING HARNESS TAIL	1	
2	277054660138	WIRING HARNESS TAIL (LP1512/42TC,BS-II,EX.BRK)	1	
	277054600127	WIRING HARNESS ENGINE (LP1512TC,BS-II)	1	
	261854660114	WIRING HARNESS (WIPER MOTOR)	1	
	261854600113	WIRING HARNESS STOP LIGHT SWITCH & LP SWITCH	1	

54.54.04B

WIRING HARNESS

GROUP 54

CHASSIS TYPE: 412073; 412073; 412074



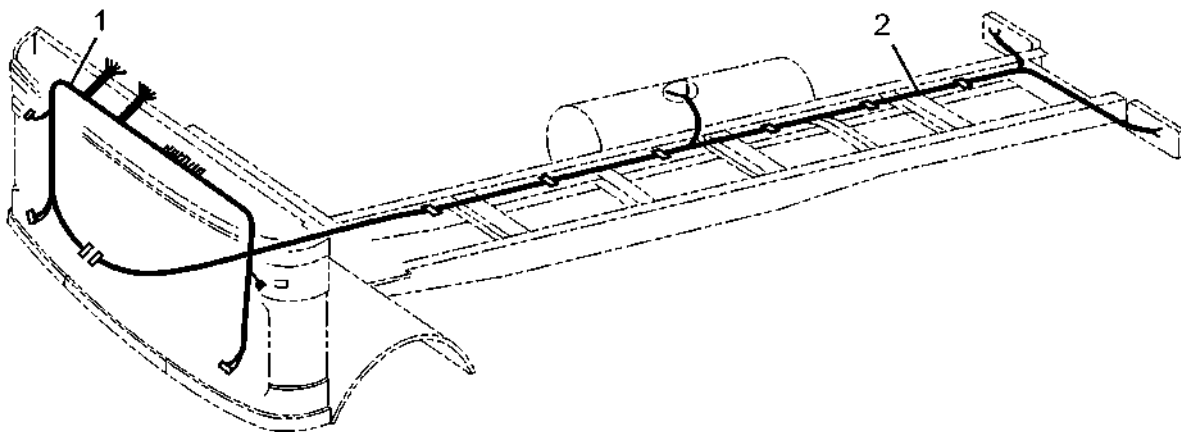
54.54.04B		WIRING HARNESS		GROUP 54
CHASSIS TYPE: 412073; 412073; 412074				
FIG. NO.	PART NUMBER	DESCRIPTION	QTY	REMARKS
1	277054600126	WIRING HARNESS MAIN (LP1512TC,BS-II,EXH.BRK.)	1	
2	277054600132	WIRING HARNESS TAIL (LP1512TC/52,BS-II,60%,ROH)	1	
	277054600127	WIRING HARNESS ENGINE (LP1512TC,BS-II)	1	
	261854660114	WIRING HARNESS (WIPER MOTOR)	1	
	261854600113	WIRING HARNESS STOP LIGHT SWITCH & LP SWITCH	1	

54.54.04C

WIRING HARNESS

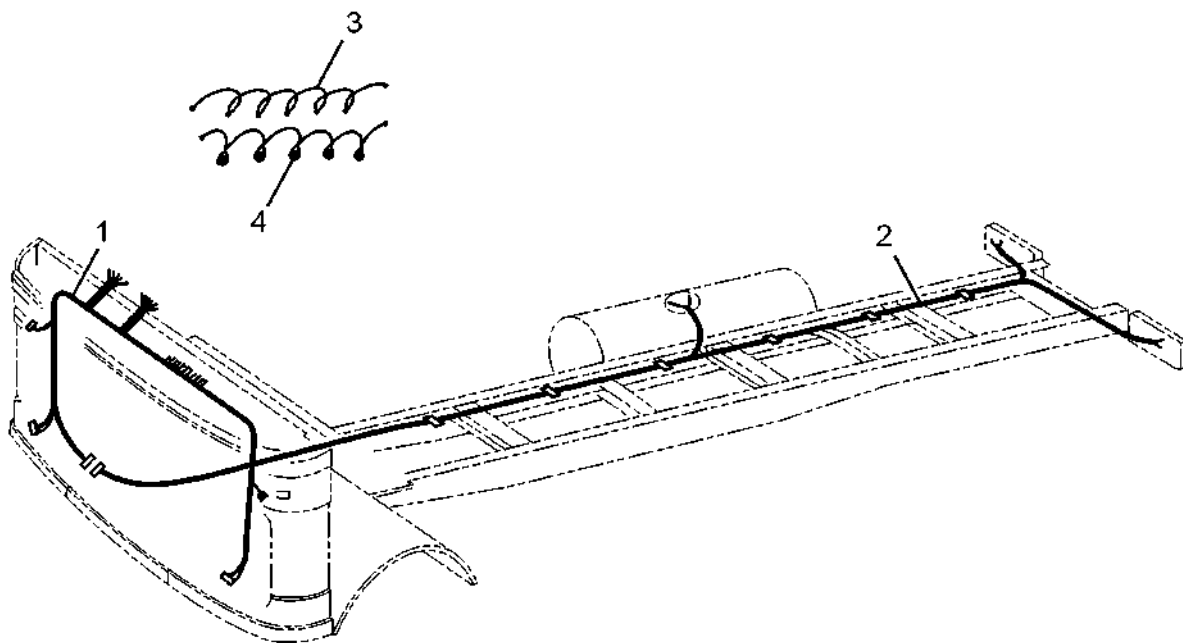
GROUP 54

CHASSIS TYPE: 412081; 412080



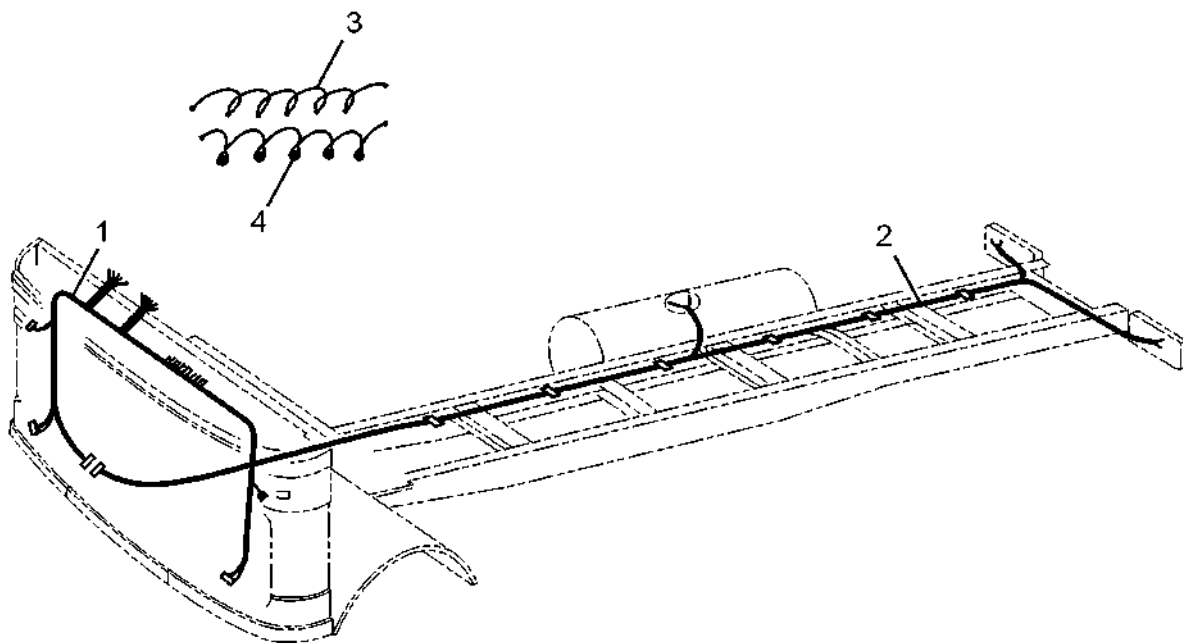
54.54.04C		WIRING HARNESS		GROUP 54	
CHASSIS TYPE: 412081; 412080					
FIG. NO.	PART NUMBER	DESCRIPTION	QTY	REMARKS	
1	277054600126	WIRING HARNESS MAIN (LP1512TC,BS-II,EXH.BRK.)	1		
2	277054600133	WIRING HARNESS TAIL (LP1512TC/59,BS-II,55% ROH)	1		
	277054600127	WIRING HARNESS ENGINE (LP1512TC,BS-II)	1		
	261854660114	WIRING HARNESS (WIPER MOTOR)	1		
	261854600113	WIRING HARNESS STOP LIGHT SWITCH & LP SWITCH	1		

CHASSIS TYPE: 412076



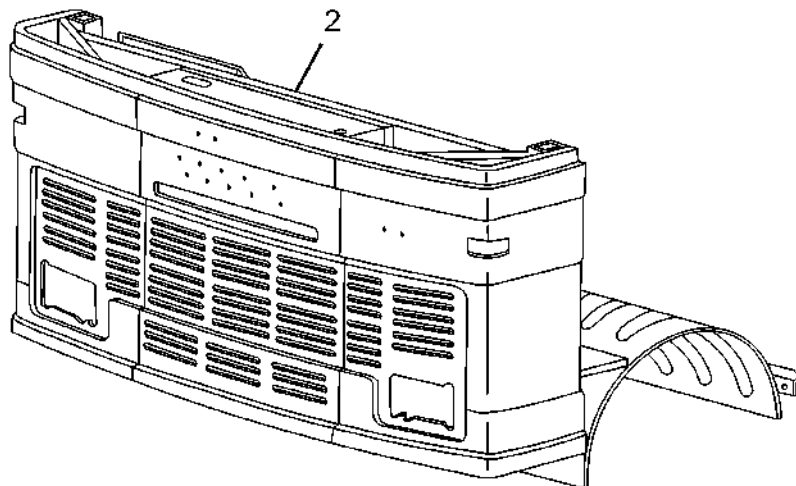
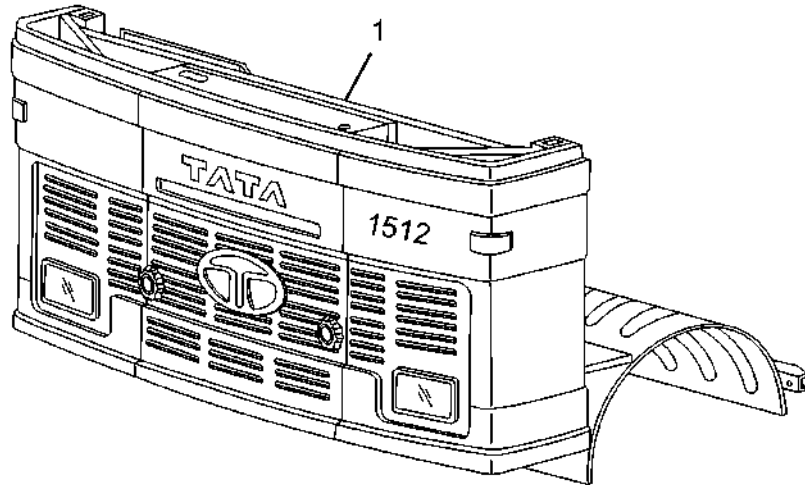
54.54.04D		WIRING HARNESS		GROUP 54	
CHASSIS TYPE: 412076					
FIG. NO.	PART NUMBER	DESCRIPTION	QTY	REMARKS	
1	207354820105	WIRING HARNESS MAIN - LPO 1512TC,RHD	1		
2	207354820109	WIRING HARNESS TAIL (LPO 1512TC - W.B.55 60% ROH)	1		
	261854660114	WIRING HARNESS (WIPER MOTOR)	1		
3	215754820133	ASSY.CABLE SET - GAUGES EARTHING	1		
4	215754820132	ASSY.CABLE SET -PANEL LAMPS	1		

CHASSIS TYPE: 412091; 412271



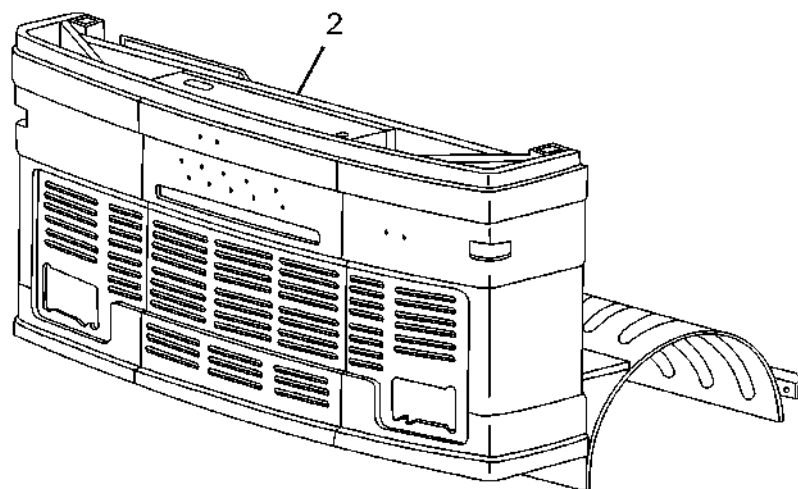
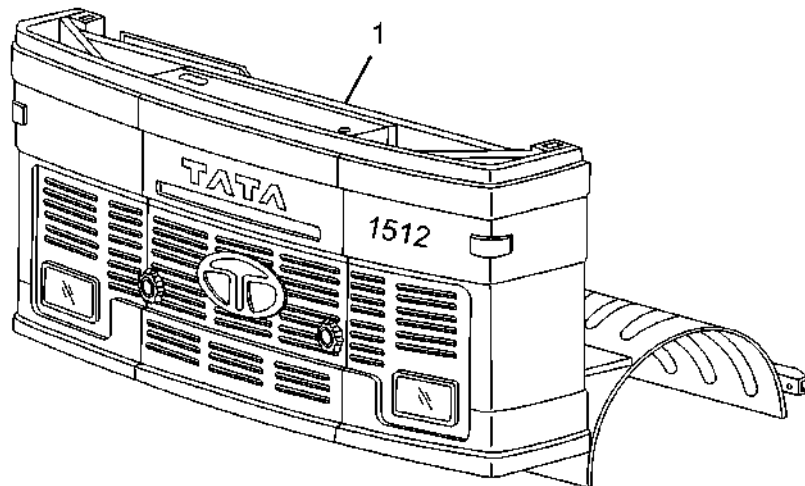
54.54.04E		WIRING HARNESS		GROUP 54	
CHASSIS TYPE: 412091; 412271					
FIG. NO.	PART NUMBER	DESCRIPTION	QTY	REMARKS	
1	207354820119	WIRING HARNESS MAIN -INST.CLUSTER/MOTOR H/L	1		
1	207354820105	WIRING HARNESS MAIN - LPO 1512TC,RHD	1*	FOR CAR CARRIER	
2	207354820111	WIRING HARNESS TAIL (W.B 55-LPO 1512TC/1510TC)	1		
2	207354820109	WIRING HARNESS TAIL (LPO 1512TC - W.B.55 60% ROH)	1*	FOR CAR CARRIER	
	261854660114	WIRING HARNESS (WIPER MOTOR)	1		
3	215754820133	ASSY.CABLE SET - GAUGES EARTHING	1*	FOR CAR CARRIER	
4	215754820132	ASSY.CABLE SET -PANEL LAMPS	1*	FOR CAR CARRIER	

CHASSIS TYPE: 412073; 412073; 412052; 412074; 412080



60.60.01A		ASSY. COWL (WITH FACE)		GROUP 60	
CHASSIS TYPE: 412073; 412073; 412052; 412074; 412080					
FIG. NO.	PART NUMBER	DESCRIPTION	QTY	REMARKS	
1	259260100121	ASSY. COWL COMPLETE WITH FITMENTS	1	REPLACES 259260100122	
2	278260100133	ASSY BARE COWL PAINTED	1		

CHASSIS TYPE: 412091; 412271



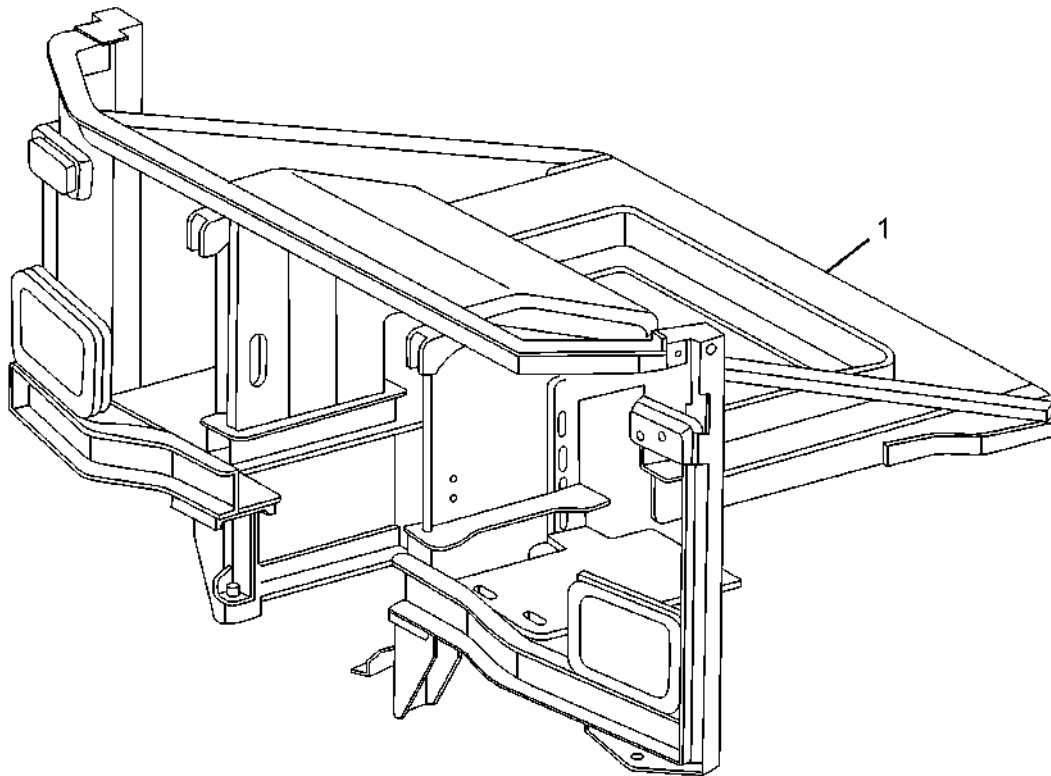
60.60.01B		ASSY. COWL (WITH FACE)		GROUP 60	
CHASSIS TYPE: 412091; 412271					
FIG. NO.	PART NUMBER	DESCRIPTION	QTY	REMARKS	
1	207360100105	ASSY. COWL COMPLETE WITH FITMENTS	1	FOR CAR CARRIER	
2	207360100107	ASSY BARE COWL PAINTED	1	FOR CAR CARRIER	

60.60.02A

ASSY. COWL (W/O FACE)

GROUP 60

CHASSIS TYPE: 412081



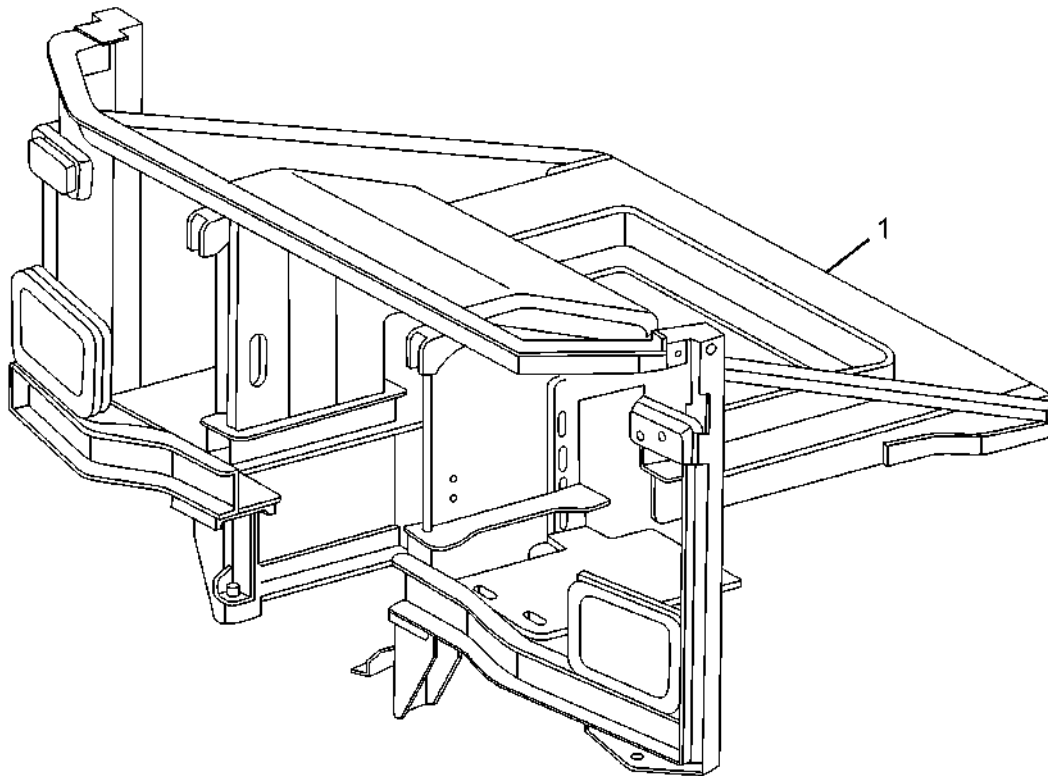
60.60.02A		ASSY. COWL (W/O FACE)		GROUP 60	
CHASSIS TYPE: 412081					
FIG. NO.	PART NUMBER	DESCRIPTION	QTY	REMARKS	
1	259260110119	ASSY.COWL COMPLETE FOR LP 1512 TC,W/O FACE	1		
	259260110115	ASSY BARE COWL PAINTED	1		

60.60.02B

ASSY. COWL (W/O FACE)

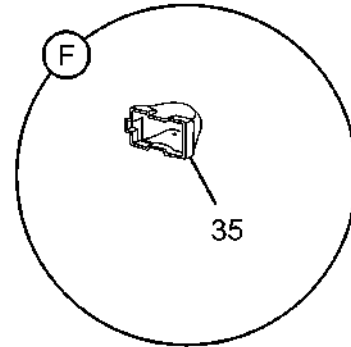
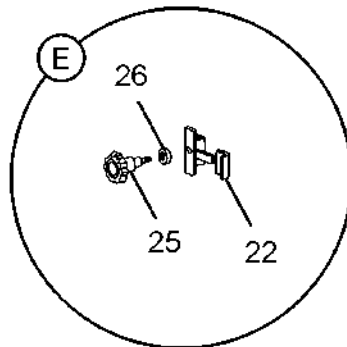
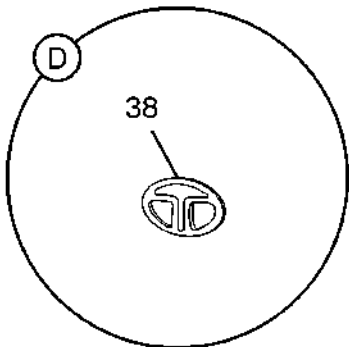
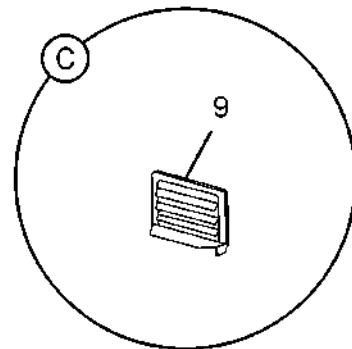
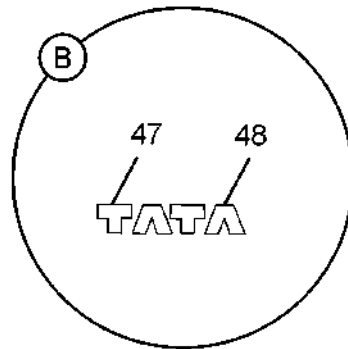
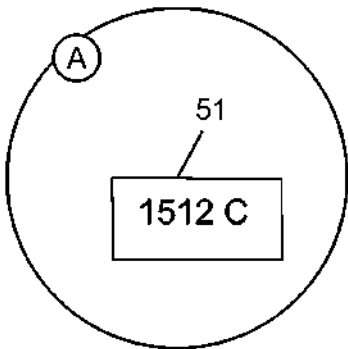
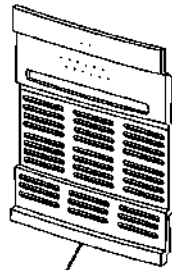
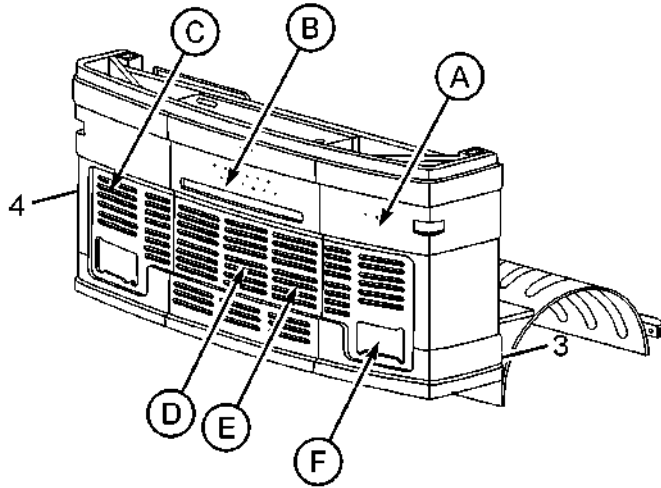
GROUP 60

CHASSIS TYPE: 412076



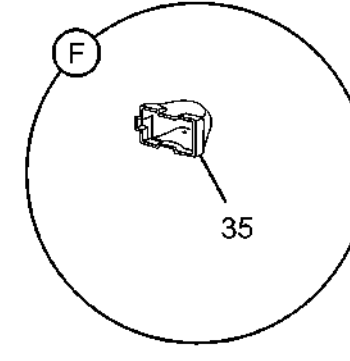
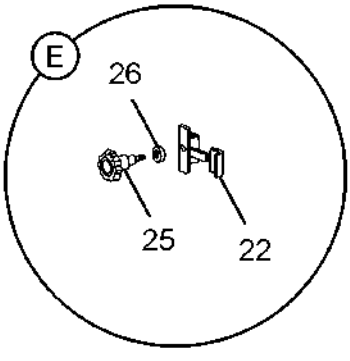
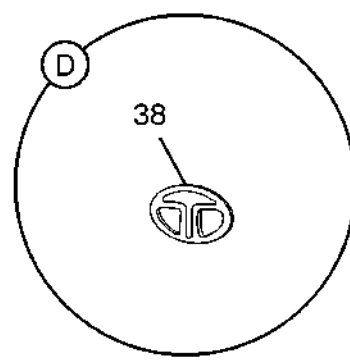
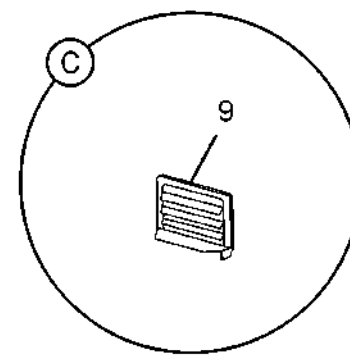
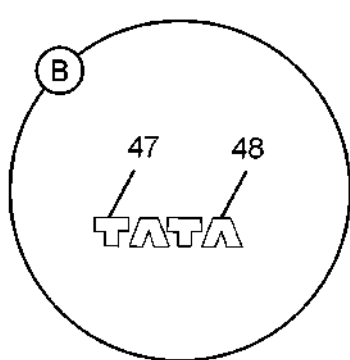
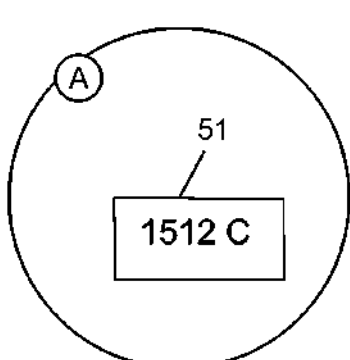
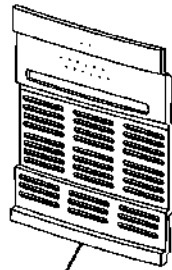
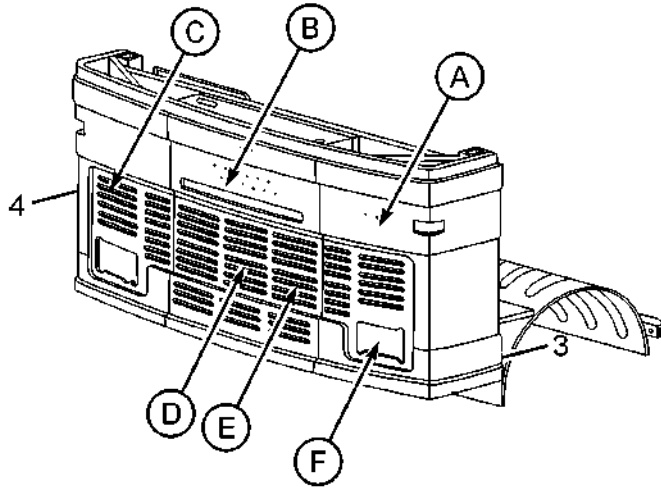
60.60.02B		ASSY. COWL (W/O FACE)		GROUP 60	
CHASSIS TYPE: 412076					
FIG. NO.	PART NUMBER	DESCRIPTION	QTY	REMARKS	
1	207160100178	ASSY.COWL COMPLETE FOR LPO 1512 TC,W/O FACE	1		
	207160100174	ASSY BARE COWL PAINTED	1		

CHASSIS TYPE: 412073; 412073; 412052; 412074; 412080



60.81.01A		INTERNAL AND EXTERNAL FITMENTS (COWL WITH FACE)		GROUP 81
CHASSIS TYPE: 412073; 412073; 412052; 412074; 412080				
FIG. NO.	PART NUMBER	DESCRIPTION	QTY	REMARKS
3	257362500133	ASSY.FACE SIDE COMPLETE WITH FRAME-LH	1	
4	257362500130	ASSY.FACE SIDE COMPLETE WITH FRAME-RH	1	
	278261600101	ASSY.PEDAL FLOOR RH-RHD(TO SUIT DTV)	1	
	259261600111	ASSY.WHEEL ARCH RH	1	
	257361600115	ASSY.WHEEL ARCH LH	1	
	259261608269	EXTN. WHEEL ARCH RH	1	
	259261608268	EXTN. WHELL ARCH LH	1	
9	257383800104	ASSY. VENTILATION UNIT OUTER	1	
13	257375100120	ASSY CENTRE FLAP COMPLETE WITH BKT DOVETAIL	1	FOR SELECTION
13	257375100119	ASSY. CENTER FLAP COMPLETE	1	FOR SELECTION
14	261075100104	ASSY HINGE L H	1	
14	261075100105	ASSY HINGE R H	1	
20	259260106001	STAY ROD (CENTRE FLAP)	1	
22	350272300111	ASSY. LOCK (CENTRE FLAP)	2	
25	206075100107	ASSY. KNOB CENTRE FLAP	2	
26	257675207501	BUSH CENTRE FLAP	2	
	350552070129	ASSY. RUBBER BUFFER (BONNET)	2	
35	259281100131	ASSY HEAD LAMP DOME	2	
	278281100109	ASSY. 'T' EMBLEM COMPLETE WITH GRILLE	2	FOR SELECTION
38	268075200105	ASSY. 'T' EMBLEM (OVAL SYLISHED)	2	FOR SELECTION
47	274275206301	ASSY. LETTER T (NEW STYLISHED)	2	
48	274275206302	ASSY. LETTER A (NEW STYLISHED)	2	
	264068809901	CLIP (MASCOT)	12	
51	259281800112	ASSY "TATA 1512 C" MASCOT	1	
55	257681100152	ASSY REAR VIEW MIRROR OUTER RH	1	
56	257681100153	ASSY REAR VIEW MIRROR OUTER LH	1	
	259281900109	ASSY ENGINE SHIELDING RH	1	
	259281900107	ASSY ENGINE SHIELDING LH	1	
	259281106308	MUDFLAP LH (SPRAY SUPPRESSION)	1	
	259281106309	MUDFLAP RH (SPRAY SUPPRESSION)	1	
	259281100137	ASSY ARRESTOR SPRAY SUPPRESSION	1	

CHASSIS TYPE: 412091; 412271



60.81.01B		INTERNAL AND EXTERNAL FITMENTS (COWL WITH FACE)		GROUP 81
CHASSIS TYPE: 412091; 412271				
FIG. NO.	PART NUMBER	DESCRIPTION	QTY	REMARKS
3	257362500140	ASSY.FACE SIDE COMPLETE WITH FRAME-LH	1	REPLACES 207062500103
4	206052400188	ASSY.FACE SIDE COMPLETE WITH FRAME-RH	1	
	207161600130	ASSY.PEDAL FLOOR RH-RHD	1	
9	257383800104	ASSY. VENTILATION UNIT OUTER	1	
13	257375100120	ASSY CENTRE FLAP COMPLETE WITH BKT DOVETAIL	1	FOR SELECTION
13	257375100119	ASSY. CENTER FLAP COMPLETE	1	FOR SELECTION
14	261075100104	ASSY HINGE L H	1	
14	261075100105	ASSY HINGE R H	1	
20	259260106001	STAY ROD (CENTRE FLAP)	1	
22	350272300111	ASSY. LOCK (CENTRE FLAP)	2	
25	206075100107	ASSY. KNOB CENTRE FLAP	2	
26	257675207501	BUSH CENTRE FLAP	2	
	350552070129	ASSY. RUBBER BUFFER (BONNET)	2	
35	259181106303	HEAD LAMP DOME LH	2	
35	257454409927	HEAD LAMP DOME RH	2	
	278281100109	ASSY. 'T' EMBLEM COMPLETE WITH GRILLE	2	FOR SELECTION
38	268075200105	ASSY. 'T' EMBLEM (OVAL SYLISHED)	2	FOR SELECTION
47	274275206301	ASSY. LETTER T (NEW STYLISHED)	2	
48	274275206302	ASSY. LETTER A (NEW STYLISHED)	2	
	264068809901	CLIP (MASCOT)	12	
51	259281800105	ASSY 'TATA 1512 CUMMINS' MASCOT	1	
55	257681100152	ASSY REAR VIEW MIRROR OUTER RH	1	
56	257681100153	ASSY REAR VIEW MIRROR OUTER LH	1	

60.81.02A

INTERNAL AND EXTERNAL FITMENTS (COWL W/O FACE)

GROUP 81

CHASSIS TYPE: 412081

NO IMAGE

60.81.02A

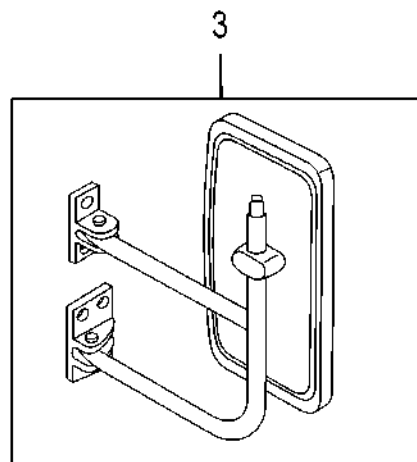
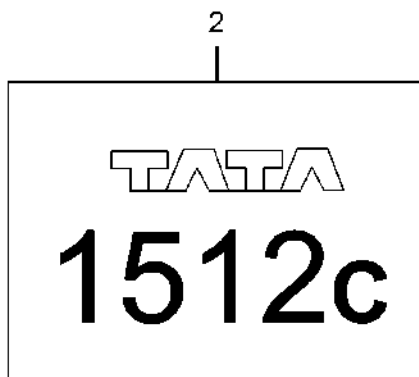
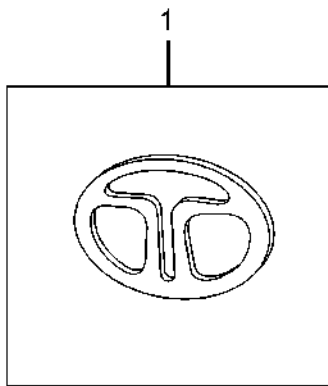
INTERNAL AND EXTERNAL FITMENTS (COWL W/O FACE)

GROUP 81

CHASSIS TYPE: 412081

FIG. NO.	PART NUMBER	DESCRIPTION	QTY	REMARKS
	259281900109	ASSY ENGINE SHIELDING RH	1	
	259281900107	ASSY ENGINE SHIELDING LH	1	

CHASSIS TYPE: 412076



60.81.02B

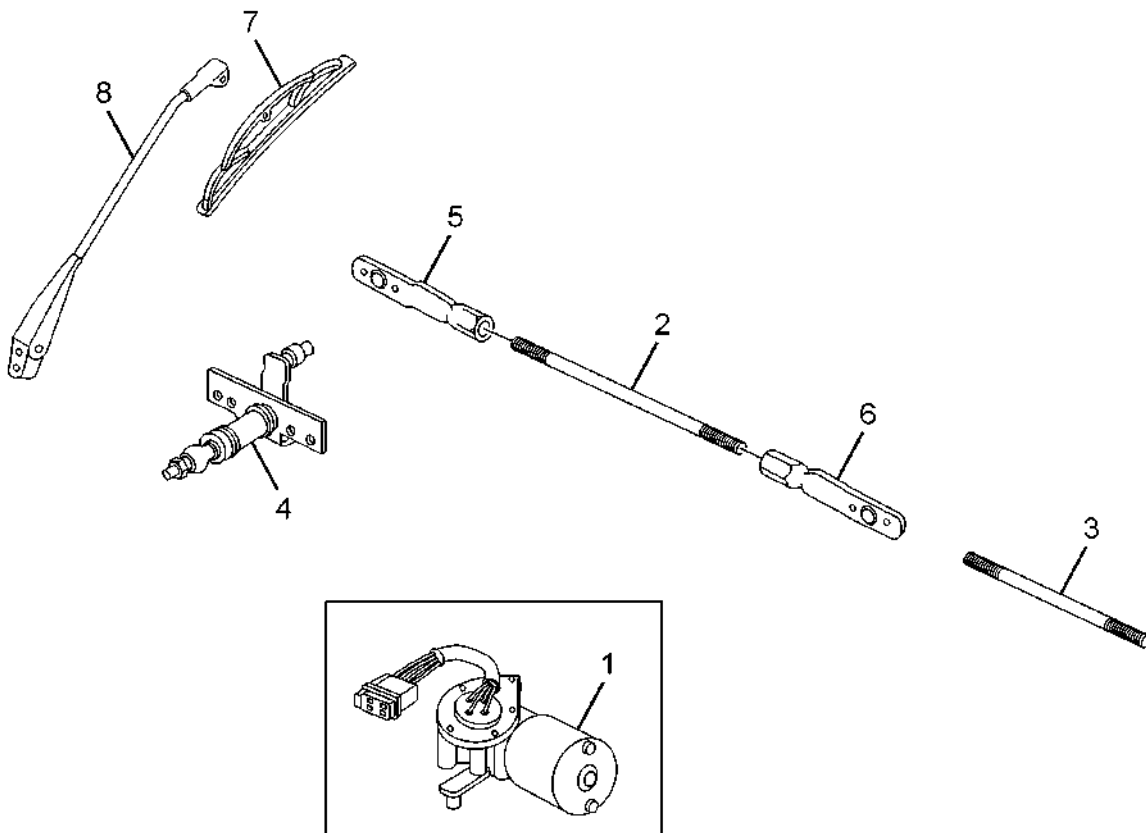
INTERNAL AND EXTERNAL FITMENTS (COWL W/O FACE)

GROUP 81

CHASSIS TYPE: 412076

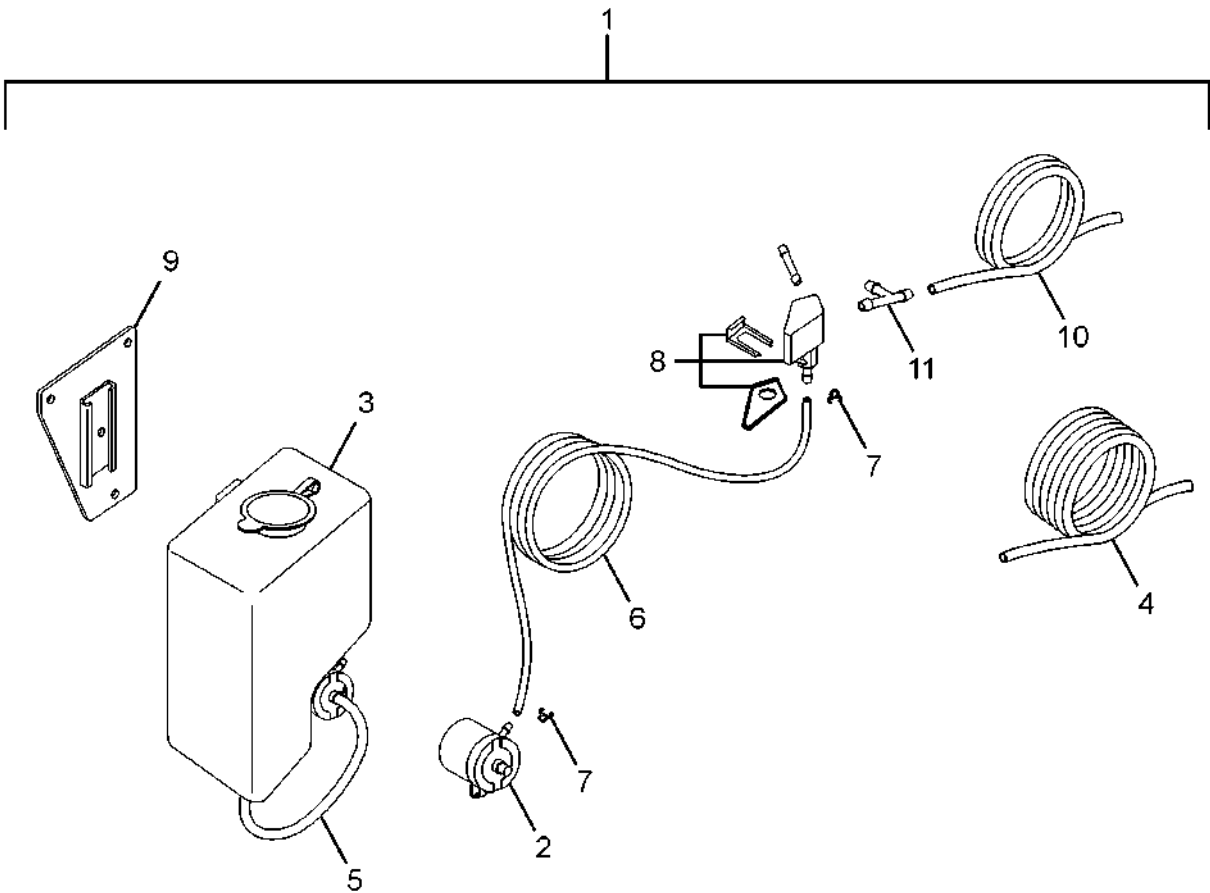
FIG. NO.	PART NUMBER	DESCRIPTION	QTY	REMARKS
1	278281100109	ASSY. 'T' EMBLEM COMPLETE WITH GRILLE	1	
2	259281800105	ASSY `TATA 1512 CUMMINS' MASCOT	1	
3	257681100152	ASSY REAR VIEW MIRROR OUTER RH	1	
3	257681100153	ASSY REAR VIEW MIRROR OUTER LH	1	
	259281100131	ASSY HEAD LAMP DOME	2	
	259281900109	ASSY ENGINE SHIELDING RH	1	
	259281900107	ASSY ENGINE SHIELDING LH	1	

CHASSIS TYPE: ALL



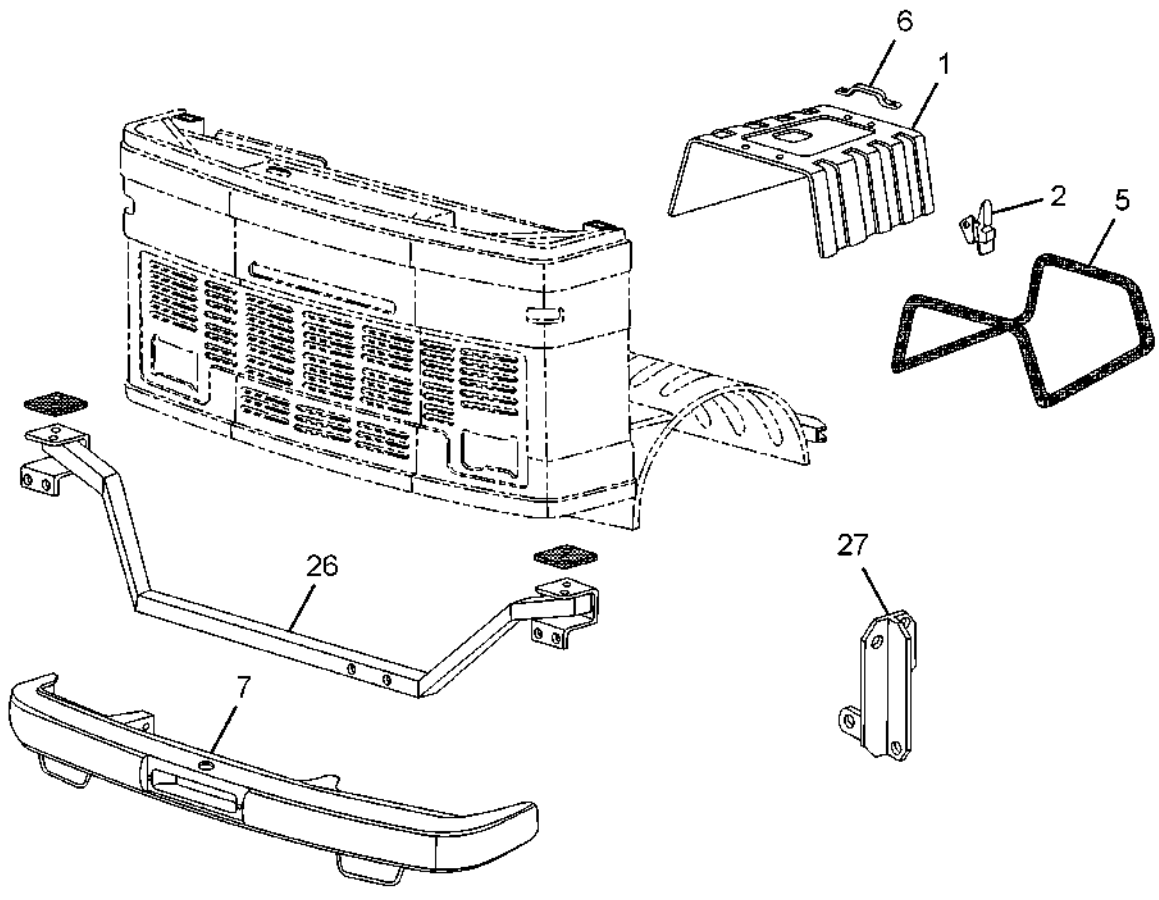
60.82.01		WIPER SYSTEM		GROUP 82	
CHASSIS TYPE: ALL					
FIG. NO.	PART NUMBER	DESCRIPTION	QTY	REMARKS	
1	261882249901	ASSY. WIPER MOTOR 17 W 24V W/ MSSL TER.	1	FOR SELECTION	
1	257382249901	ASSY. WIPER MOTOR 17 W 24V W/ DIN TER.	1	FOR SELECTION	
2	206082406003	LINK ROD (1004 LONG)	1		
3	206082406001	LINK ROD (224 LONG)	1		
	0008200037J	ASSY. KIT FOR 17 W WIPER MOTOR CONSISTING OF :	1		
4	-	WHEEL BOX	2		
5	-	LINK END ASSY. RH	2		
6	-	LINK END ASSY. LH	2		
	-	SPACER	2		
7	265182400176	ASSY. WIPER BLADE	2		
8	265182400177	ASSY. WIPER ARM	2		

CHASSIS TYPE: ALL



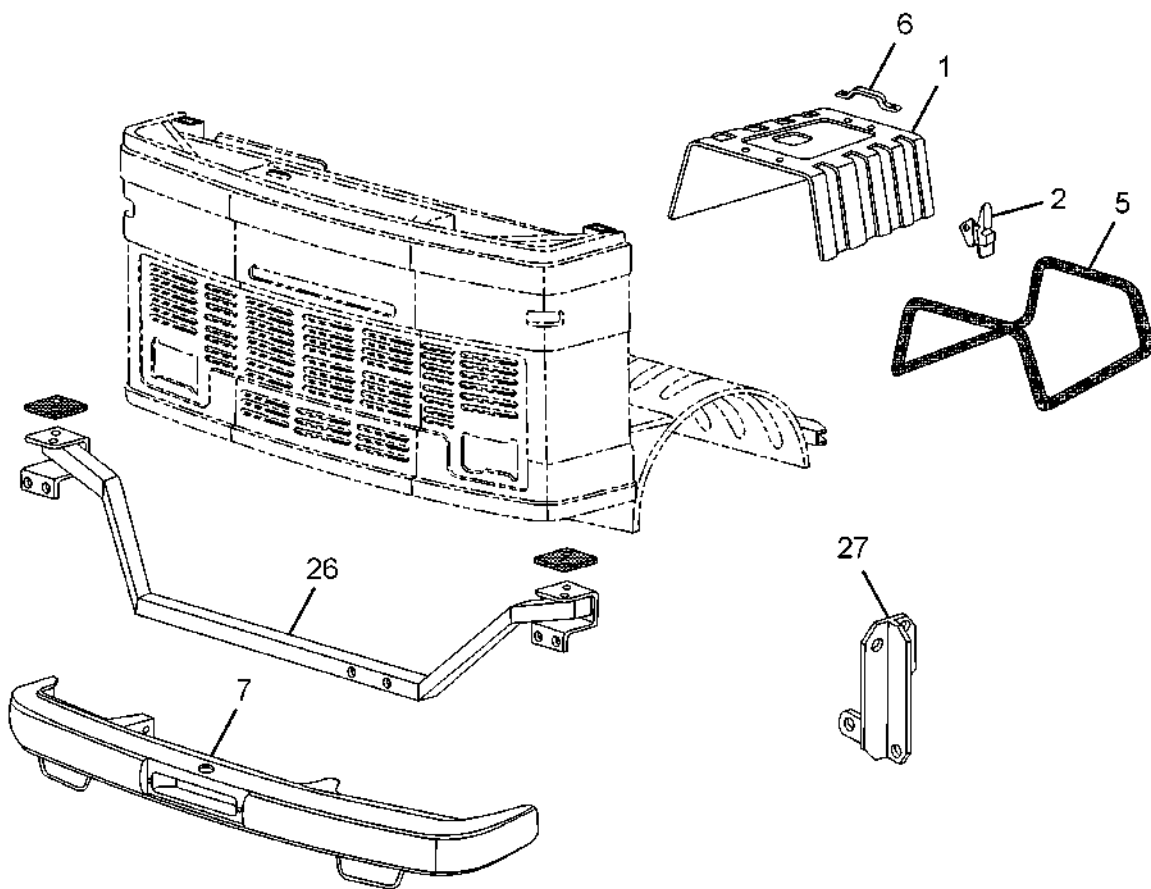
60.82.02		WINDSHIELD WASHING SYSTEM		GROUP 82
CHASSIS TYPE: ALL				
FIG. NO.	PART NUMBER	DESCRIPTION	QTY	REMARKS
1	257382240101	ASSY. WINDSHIELD WASHER KIT (24 V)	1	
		CONSISTING OF :		
2	-	PUMP ASSY.	1	
3	-	TANK	1	
4	-	TUBE (860 LONG)	1	
5	-	TUBE (TANK TO PUMP INLET)	1	
6	-	TUBE (570 LONG)	1	
7	-	OMEGA CLIP	8	
8	-	ASSY. NOZZLE	2	
9	-	BRACKET WINDSHIELD WASHER	1	
10	-	TUBE (190 LONG)	1	
11	-	T JOINT	1	

CHASSIS TYPE: 412073; 412081; 412073; 412052; 412074; 412080



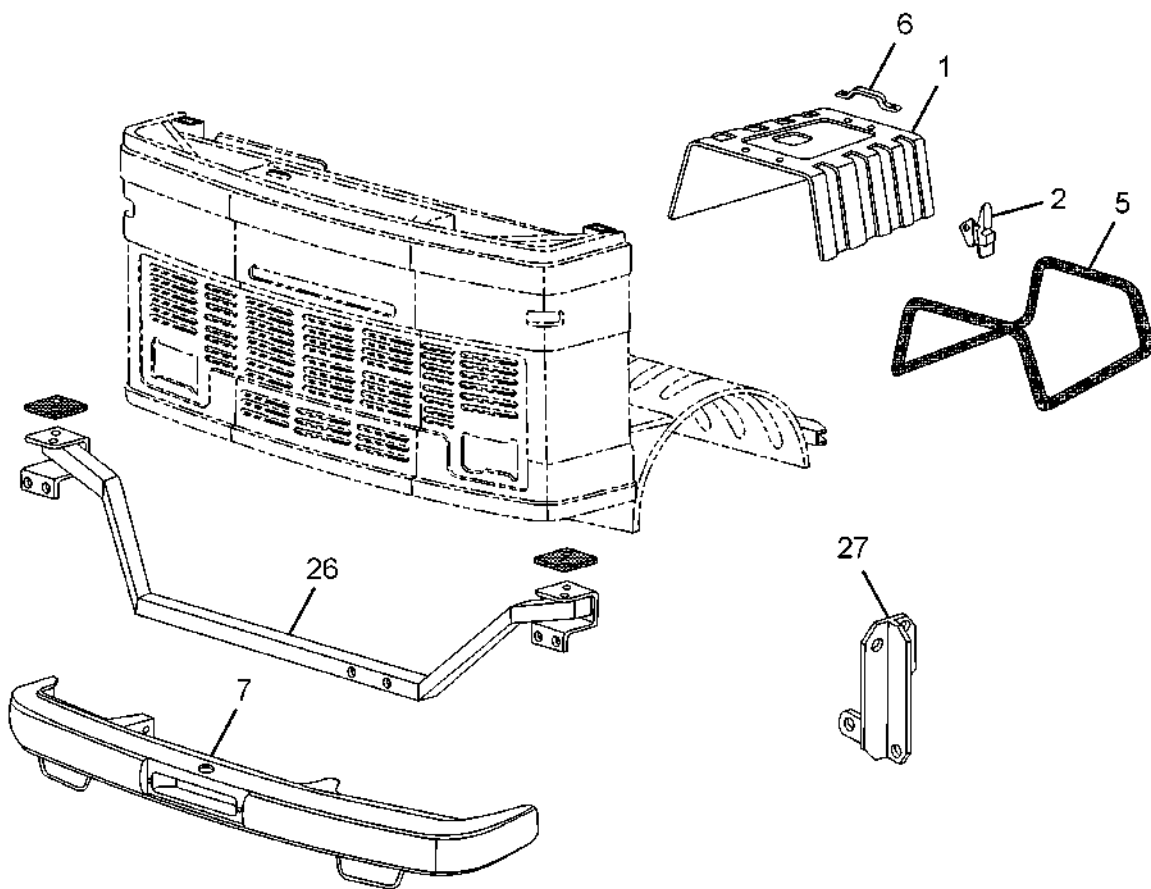
60.88.01A		ENGINE HOOD, BUMPER AND ANTI SAGGING BAR		GROUP 88
CHASSIS TYPE: 412073; 412081; 412073; 412052; 412074; 412080				
FIG. NO.	PART NUMBER	DESCRIPTION	QTY	REMARKS
		ENGINE HOOD		
1	261888700101	ASSY. ENGINE HOOD COMPLETE	1	
2	259288700103	ASSY. TOGGLE CLAMP	6	
5	259288707703	SEALING RUBBER E/HOOD	1	
	259288706002	STAY ROD(ENGINE HOOD)	1	
6	257388706303	GRAB HANDLE	2	
	259288708203	CLAMPING PLATE(E/HOOD BASE PLATE)	2	
		BUMPER		
7	257388500116	ASSY BUMPER COMPLETE	1	
		ANTI SAGGING BAR		
26	259288500101	ASSY. ANTISAGGING BAR	1	
27	259288500102	ASSY.SUPPORT LH(ANTI SAGGING BAR)	1	
27	259288500103	ASSY.SUPPORT RH(ANTI SAGGING BAR)	1	

CHASSIS TYPE: 412076



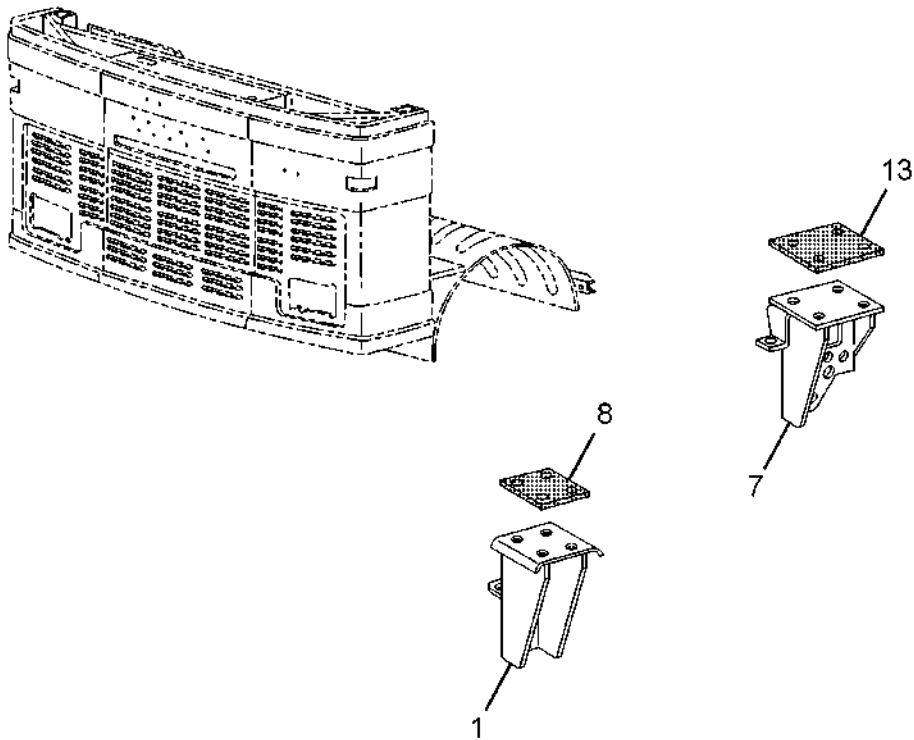
60.88.01B		ENGINE HOOD, BUMPER AND ANTI SAGGING BAR		GROUP 88
CHASSIS TYPE: 412076				
FIG. NO.	PART NUMBER	DESCRIPTION	QTY	REMARKS
		ENGINE HOOD		
1	275088700101	ASSY. ENGINE HOOD COMPLETE	1	
2	259288700103	ASSY. TOGGLE CLAMP	6	
5	259288707702	SEALING RUBBER (ENGINE HOOD)	1	FOR W/O FACE VEH
6	257388706303	GRAB HANDLE	2	
	259288708203	CLAMPING PLATE(E/HOOD BASE PLATE)	2	
		BUMPER		
7	207188500101	ASSY.BUMPER(STRAIGHT)	1	FOR W/O FACE VEH
		ANTI SAGGING BAR		
26	207188500109	ASSY. ANTISAGGING BAR	1	
27	207388500103	ASSY.SUPPORT LH(FOR ANTISAGGING BAR)	1	
27	207388500104	ASSY. SUPPORT RH(FOR ANTISAGGING BAR)	1	

CHASSIS TYPE: 412091; 412271



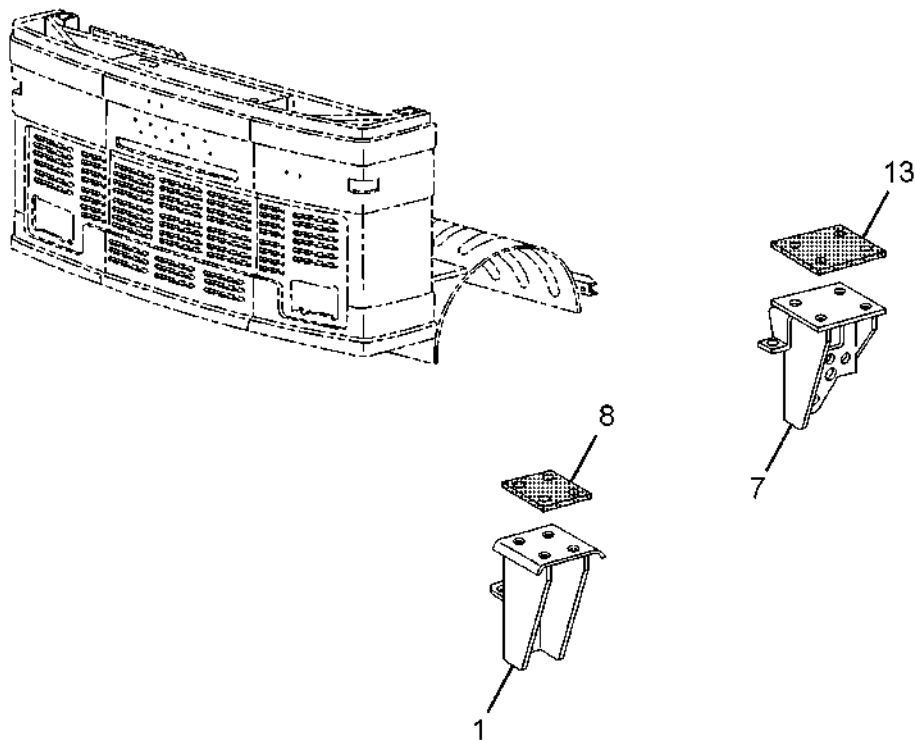
60.88.01C		ENGINE HOOD, BUMPER AND ANTI SAGGING BAR		GROUP 88
CHASSIS TYPE: 412091; 412271				
FIG. NO.	PART NUMBER	DESCRIPTION	QTY	REMARKS
		ENGINE HOOD		
1	275088700101	ASSY. ENGINE HOOD COMPLETE	1	
2	259288700103	ASSY. TOGGLE CLAMP	6	
5	259288707702	SEALING RUBBER (ENGINE HOOD)	1	FOR W/O FACE VEH
5	259188707701	SEALING RUBBER (ENGINE HOOD)	1	FOR CAR CARRIER
6	257388706303	GRAB HANDLE	2	
	259288708203	CLAMPING PLATE(E/HOOD BASE PLATE)	2	
		BUMPER		
7	207188500101	ASSY.BUMPER(STRAIGHT)	1	FOR W/O FACE VEH
7	275088500101	ASSY BUMPER COMPLETE	1	FOR CAR CARRIER
		ANTI SAGGING BAR		
26	207388500102	ASSY. ANTISAGGING BAR	1	FOR WITH FACE VEHICLE
26	207188500109	ASSY. ANTISAGGING BAR	1	FOR W/O FACE VEH
27	207388500103	ASSY.SUPPORT LH(FOR ANTISAGGING BAR)	1	
27	207388500104	ASSY. SUPPORT RH(FOR ANTISAGGING BAR)	1	

CHASSIS TYPE: 412073; 412081; 412073; 412052; 412074; 412080



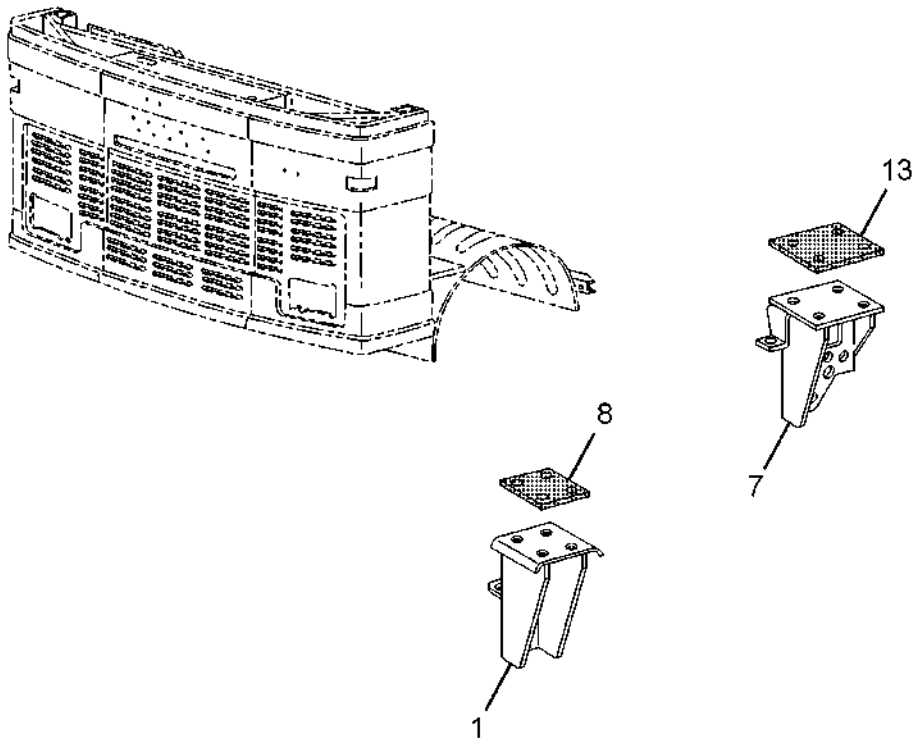
60.89.01A		COWL MOUNTING		GROUP 89
CHASSIS TYPE: 412073; 412081; 412073; 412052; 412074; 412080				
FIG. NO.	PART NUMBER	DESCRIPTION	QTY	REMARKS
1	275089100105	ASSY BRACKET LH FRONT MTG	1	
7	259289100103	ASSY. BRACKET LH COWL MTG REAR	1	
7	259289100104	ASSY. BRACKET RH COWL MTG REAR	1	
8	206089107702	PACKING FRONT	2	
13	206089107701	PACKING REAR	2	
	257389109201	WASHER	32	

CHASSIS TYPE: 412076



60.89.01B		COWL MOUNTING		GROUP 89
CHASSIS TYPE: 412076				
FIG. NO.	PART NUMBER	DESCRIPTION	QTY	REMARKS
1	275089100105	ASSY BRACKET LH FRONT MTG	1	
7	275089100107	ASSY. BRACKET LH COWL MTG REAR	1	FOR W/O FACE VEHICLE
7	275089100108	ASSY. BRACKET RH COWL MTG REAR	1	FOR W/O FACE VEHICLE
8	206089107702	PACKING FRONT	2	
13	206089107701	PACKING REAR	2	
	257389109201	WASHER	32	

CHASSIS TYPE: 412091; 412271



60.89.01C		COWL MOUNTING		GROUP 89
CHASSIS TYPE: 412091; 412271				
FIG. NO.	PART NUMBER	DESCRIPTION	QTY	REMARKS
1	275089100105	ASSY BRACKET LH FRONT MTG	1	
7	207189100104	ASSY. BRACKET LH COWL MTG REAR	1	FOR WITH FACE VEHICLE
7	275089100107	ASSY. BRACKET LH COWL MTG REAR	1	FOR W/O FACE VEHICLE
7	207189100105	ASSY. BRACKET RH COWL MTG REAR	1	FOR WITH FACE VEHICLE
7	275089100108	ASSY. BRACKET RH COWL MTG REAR	1	FOR W/O FACE VEHICLE
8	206089107702	PACKING FRONT	2	
13	206089107701	PACKING REAR	2	
	257389109201	WASHER	32	

60.91.01

SEAT BELT

GROUP 91

CHASSIS TYPE: ALL

NO IMAGE

60.91.01		SEAT BELT		GROUP 91	
CHASSIS TYPE: ALL					
FIG. NO.	PART NUMBER	DESCRIPTION	QTY	REMARKS	
	257691500134	SEAT BELT	2		
	257391100113	BRACKET	2		

